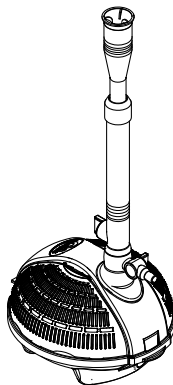




EN Operating instructions

# PondoVario

750 / 1000 / 1500 / 2500 / 3500





**A**


**PondoVario 750/1000:** 1, 2, 6, 8  
**PondoVario 1500/2500:** 1, 3, 5, 6, 7, 8  
**PondoVario 3500:** 1, 4, 5, 6, 7, 8

PVO0001

**B** PondoVario 750/1000

1.

2.

3.

4.

click

PVO0008

**C** PondoVario 1500/2500/3500

1.

2.

3.

4.

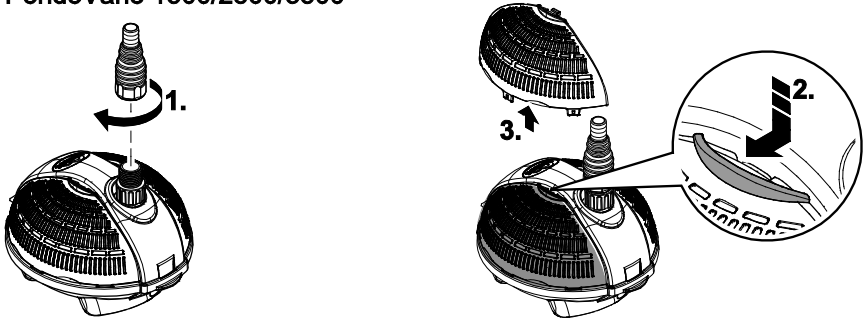
5.

click

PVO0002

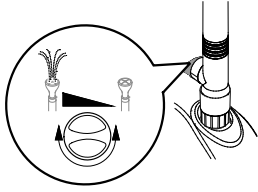


**D** PondoVario 1500/2500/3500



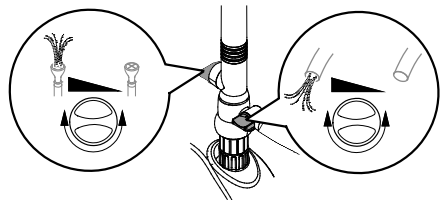
PVO0003

**E** PondoVario 750/1000



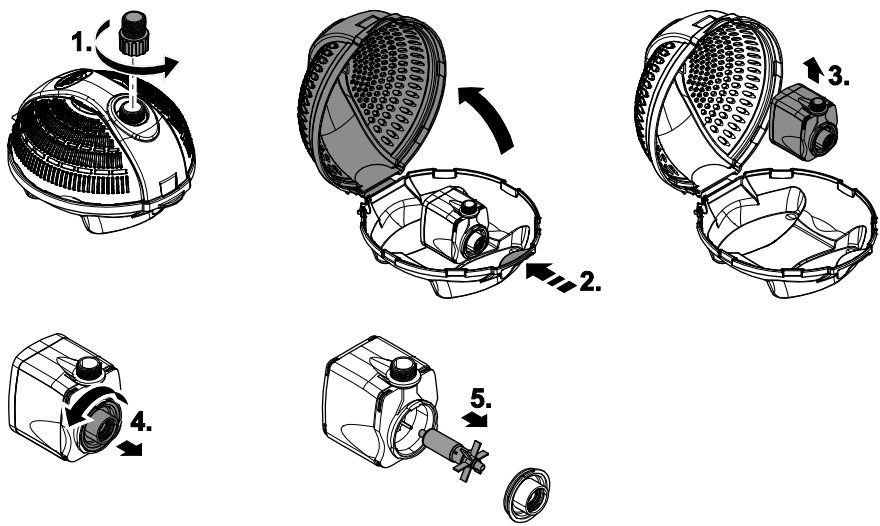
PVO0009

**F** PondoVario 1500/2500/3500



PVO0004

**G**



PVO0005\_1

Translation of the original Operating Instructions

## **WARNING**

- This unit can be used by children aged 8 and above and by persons with reduced physical, sensory or mental capabilities or lack of experience and knowledge if they are supervised or have been instructed on how to use the unit in a safe way and they understand the hazards involved.
- Do not allow children to play with the unit.
- Only allow children to carry out cleaning and user maintenance under supervision.
- Ensure that the unit is fused for a rated fault current of max. 30 mA by means of a fault current protection device.
- Only connect the unit if the electrical data of the unit and the power supply correspond. The unit data is to be found on the unit type plate, on the packaging or in this manual.
- Possible death or severe injury from electrocution! Before reaching into the water, always disconnect all units in the water that have a voltage of >12 V AC or >30 V DC from the power supply.
- Only operate the unit if no persons are in the water.
- Do not use the unit if electrical cables or housings are damaged.
- A damaged connection cable cannot be replaced. Dispose of the unit.

## Safety information

### Correct electrical installation

- Electrical installations must meet the national regulations and may only be carried out by a qualified electrician.
- A person is regarded as a qualified electrician if, due to his/her vocational education, knowledge and experience, he or she is capable of and authorised to judge and carry out the work commissioned to him/her. This also includes the recognition of possible hazards and the adherence to the pertinent regional and national standards, rules and regulations.
- For your own safety, please consult a qualified electrician.
- Extension cables and power distributors (e.g. outlet strips) must be suitable for outdoor use (splash-proof).
- Protect the plug connection from moisture.
- Only connect the unit to a correctly fitted socket.

### Safe operation

- The impeller unit in the pump contains a magnet with a strong magnetic field that may affect the operation of pace-makers or implantable cardioverter defibrillators (ICDs). Always keep magnets at least 0.2 m away from implanted devices.
- Keep the socket and power plug dry.
- Never carry or pull the unit by the electrical cable.
- Route cables such that they are protected from damage and do not present a tripping hazard.
- Never carry out technical changes to the unit.
- Only carry out work on the unit described here.
- Only use original spare parts and accessories for the unit.

## Information about these operating instructions

You made a good choice with the purchase of this product **PondoVario 750 / 1000 / 1500 / 2500 / 3500**.

Prior to commissioning the unit, please read the instructions of use carefully and fully familiarise yourself with the unit. Ensure that all work on and with this unit is only carried out in accordance with these instructions.

Adhere to the safety information for the correct and safe use of the unit.

Keep these instructions in a safe place! Please also hand over the instructions when passing the unit on to a new owner.

### Symbols used in these instructions

#### Warnings

The warning information is categorised by signal words, which indicate the extent of the hazard.



#### WARNING

- Indicates a possibly hazardous situation.
- Non-observance may lead to death or serious injuries.



#### CAUTION

- Indicates a possibly hazardous situation.
- Non-observance may lead to slight or minor injuries.



#### NOTE

Information for the purpose of clarification or for preventing possible damage to assets or to the environment.

### Additional information

- A Reference to a figure, e.g. Fig. A.
- Reference to another section.

## Product Description

PondoVario 750 / 1000 / 1500 / 2500 / 3500 is a fountain pump for garden ponds, ornamental fountains and (from PondoVario 1500) for small water courses.

- Temperature protection by built-in temperature monitor.
- Telescopic extension with various nozzles

PondoVario 1500/2500/3500

- Pivoting telescopic extension (ball joint).
- Second, separately adjustable outlet.
- Removable fine-mesh filters for feeding a water course or filter

## Delivery scope and unit configuration

<input type="checkbox"/> A		Pondovario		
		750/1000	1500/2500	3500
1	Filter housing with filter pump	1 x	1 x	1 x
2	Transition piece	1 x	-	-
3	Transition piece – Fastens the filter pump to the filter cover	-	1 x	-
4	Reduction element	-	-	1 x
5	Ball joint with adjustable outlet (∅ 9 mm)	-	1 x	1 x
6	Telescopic extension, two-part, consisting of an external and an internal pipe	1 x	1 x	1 x
7	Stepped hose connection	-	1 x	1 x
8	Nozzles	4 x	4 x	4 x

## Intended use

PondoVario 750 / 1000 / 1500 / 2500 / 3500, referred to as "unit", may only be used as specified in the following:

- For pumping normal pond water for filters and water courses.
- Operate in accordance with instructions.

The following restrictions apply to the unit:

- Do not use in swimming ponds.
- Never use the unit to convey fluids other than water.
- Never run the unit without water.
- Do not use in conjunction with chemicals, foodstuff, easily flammable or explosive substances.

## Installation and connection

### Use as a fountain pump

#### PondoVario 750/1000

How to proceed:

B

Assembling the telescopic extension: Insert the internal pipe into the external pipe and secure with the retaining collar.

Insert the telescopic extension into the transition piece.

Insert and screw the desired nozzle into the telescopic extension.

Screw the telescopic extension with transition piece onto the pump and hand-tighten.

Install the unit in the pond in a horizontal position on firm, sludge-free ground and ensure that it is completely covered with water.

**PondoVario 1500/2500/3500**

How to proceed:

C

Assembling the telescopic extension: Insert the internal pipe into the external pipe and secure with the retaining collar. Fit the telescopic extension onto the ball joint.

Ensure that the control valve on the telescopic extension and the outlet of the ball joint are aligned opposite each other so that water can exit from the outlet of the ball joint.

- Ensure that the control valve on the telescopic extension and the outlet of the ball joint are aligned opposite each other so that water can exit from the outlet of the ball joint.
- The adjustable outlet on the ball joint can be used for feeding a water course.

Insert and screw the desired nozzle into the telescopic extension.

Screw the ball joint onto the transition piece of the pump and hand-tighten.

- Vertically align the telescopic extension via the ball joint.

Install the unit in the pond in a horizontal position on firm, sludge-free ground and ensure that it is completely covered with water.

**Use as a water course pump or filter pump****PondoVario 1500/2500/3500**

How to proceed:

D

Screw the stepped hose adapter onto the transition piece of the pump and hand-tighten.

Actuate the engagement hooks on the filter housing.

Remove the strainer casing.

Place the unit in the pond on a horizontal, firm and sludge-free base and ensure that it is completely covered by water.

Maximum installation depth: 2 m below the surface of the water.

**Commissioning/start-up****NOTE**

Never allow the pump to run dry. Otherwise the pump will be destroyed.

- Ensure that the pump is always flooded during operation.
- Regularly check the water level.

This is how to connect the power supply:

**Switching on:** Connect the unit to the mains. The unit switches on immediately.

**Switching off:** Disconnect the unit from the mains.

**Use as a fountain pump**

After installation and connection, adjust the shape of the fountain by changing the screw-in depth of the nozzles.

**PondoVario 750/1000**

E

- Turn the control valve on the telescopic extension to achieve the desired spray pattern.

**PondoVario 1500/2500/3500**

F

- Turn the control valve on the telescopic extension to achieve the desired spray pattern.
- If necessary, turn the control valve on the ball joint to achieve the desired flow rate.

## Remedy of faults

Malfunction	Cause	Remedy
The unit is not operating	No mains voltage	Check mains voltage
Insufficient delivery rate	Impeller blocked	Clean impeller
	Strainer casing clogged	Clean strainer casing
	Excessive pressure losses in the hoses	Reduce hose length and connecting parts to a minimum, route hoses as straight as possible
Unit switches off after a short running period	Water temperature too high	Note maximum water temperature of +35 °C

## Maintenance and cleaning



**ATTENTION!** Dangerous electrical voltage.  
Possible consequences: Death or severe injury.

### Protective measures:

- Electrical units and installations with a rated voltage of  $U > 12 \text{ V AC}$  or  $U > 30 \text{ V DC}$  located in the water: Isolate the units and installations (switch off and disconnect from the power supply) before reaching into the water.
- Isolate the unit before starting any work.
- Secure the unit to prevent unintentional switching on.



### NOTE

Recommendation regarding cleaning:

- Clean the unit as required but at least twice a year.
- When cleaning the pump, pay particular attention to the cleaning of the impeller unit and pump housing.
- Do not use aggressive cleaning agents or chemical solutions as they could attack the housing or impair the function of the unit.
- Recommended cleaning agent for removing stubborn limescale deposits:
  - Vinegar- and chlorine-free household cleaning agent.
- After cleaning, thoroughly rinse all parts in clean water.

## Cleaning the pump

How to proceed:

G

Unscrew the transition piece (with telescopic extension or stepped hose adapter) from the pump.

Actuate the engagement hooks on the filter housing and open the filter housing.

Unscrew the pump housing by turning counter-clockwise and remove (bayonet closing mechanism).

Pull out the impeller unit (magnetic resistance).

Rinse all parts.

Reassemble the unit in the reverse order.

## Wear parts

- Impeller unit



### Storage/Over-wintering

Remove the unit at temperatures below zero degrees centigrade. Thoroughly clean the unit, check for damage and store immersed in water in a frost-free environment. Do not immerse the plug!

### Repair

Repair is not possible in the following cases. The pump has to be replaced.

- If there is no replacement part approved by PfG GmbH for a defective component.
- If an electric cable permanently connected to the pump becomes damaged or is shortened.

### Disposal



#### NOTE

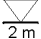



Do not dispose of this unit with domestic waste.

- Render the unit unusable beforehand by cutting the cables and dispose of the unit via the return system provided for this purpose.

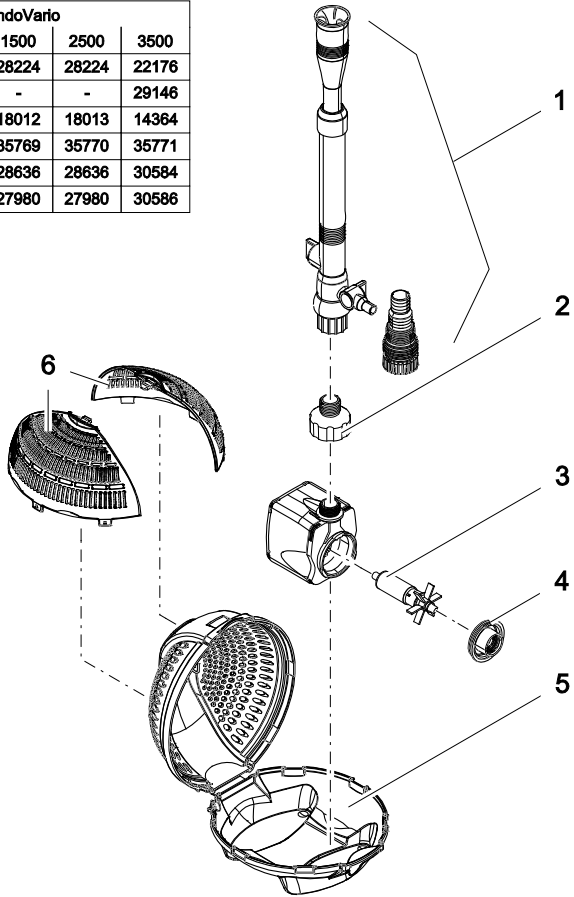
### Guarantee conditions

PfG grants a 3 year guarantee from the date of sale on proven material and manufacturing faults. Prerequisite for our guarantee is the presentation of the purchase receipt. Our guarantee will become null and void if the unit is misused, electrically or mechanically damaged by inappropriate use and improper repair by non-authorized workshops. Repairs are reserved for workshops authorised by PfG or by PfG itself. In the case of warranty claims, please return the defective unit or part freight paid to PfG together with a description of the fault and the purchase receipt. PfG reserves the right to invoice repair costs. PfG is not liable for transport damage. Any damage must be claimed against the carrier. Further claims of whatever type, especially consequential damage, are excluded. This guarantee does not affect the final customer's claims against the dealer.

DE	Technische Daten	Abmessungen	Gewicht	Bemessungsspannung	Leistungsaufnahme	Wassertemperatur	Förderleistung	Wassersäule	Kabellänge	
EN	Technical data	Dimensions	Weight	Rated voltage	Power consumption	Water temperature	Flow rate	Head height	Cable length	
FR	Caractéristiques techniques	Dimensions	Poids	Tension de mesure	Consumation	Température de l'eau	Capacité de refoulement	Colonne d'eau	Longueur de câble	
NL	Technische gegevens	Afmetingen	Gewicht	Dimensioneringsspanning	Stroomverbruik	Watertemperatuur	Pompcapaciteit	Waterkolom	Kabellengte	
ES	Datos técnicos	Dimensiones	Peso	Tensión asignada	Consumo de potencia	Temperatura del agua	Capacidad de elevación	Columna de agua	Longitud del cable	
PT	Dados técnicos	Dimensões	Peso	Voltagem considerada	Consumo de potência	Temperatura da água	Débito	Coluna de água	Comprimento do cabo	
IT	Caratteristiche tecniche	Dimensioni	Peso	Tensione di taratura	Potenza assorbita	Temperatura dell'acqua	Portata	Colonna d'acqua	Lunghezza cavo	
DA	Tekniske specifikationer	Mål	Vægt	Nominal spænding	Effektforbrug	Vandtemperaturen	Kapacitet	Vandsøjle	Kabellængde	
NO	Tekniske data	Mål	Vekt	Merkespenning	Inngangseffekt	Vanntemperatur	Kapasitet	Vann søyle	Kabellengde	
SV	Tekniska data	Mått	Vikt	övre märkspänning	Effekt	Vattentemperatur	Matningsprestanda	Vattenpelare	Kabellängd	
FI	Tekniset tiedot	Mitat	Paino	mitoitussännite	Ottoteho	Veden lämpötila	Syöttöteho	Vesipylväs	Kaapelin pituus	
HU	Műszaki adatok	Méreték	Súly	mért feszültség	Teljesítményfelvétel	Víz hőmérséklet	Szállítási teljesítmény	Vízoszlop	Kábelhossz	
PL	Dane techniczne	Wymiary	Ciężar	napięcie znamionowe	Pobór mocy	Temperatura wody	Wydajność pompowania	Ślup wody	Długość kabla	
CS	Technické údaje	Rozměry	Hmotnost	domezovací napětí	Příkon	Teplota vody	Dopravní výkon	Vodní sloupec	Délka kabelu	
SK	Technické údaje	Rozmery	Hmotnosť	dimenzačné napätie	Prikon	Teplota vody	Dopravný výkon	Vodný stĺpec	Dĺžka kábla	
SL	Tehnični podatki	Dimenzije	Teža	dimenzionirana napetost	Nazivna moč	Temperatura vode	Črpalna zmogljivost	Vodni steber	Dolžina kabla	
HR	Tehnički podatci	Dimenzije	Težina	gornji nazivni napon	Prijemna snaga	Temperatura vode	Protočni kapacitet	Vodeni stup	Duljina kabela	
RO	Date tehnice	Dimensiuni	Greutate	tensiunea măsurată	Putere consumată	Temperatura apei	Debit de pompare	Coloană de apă	Lungime cablu	
BG	Технически данни	Размери	Тегло	номинално напрежение	Консумирана мощност	Температурата на водата	Дебит	Воден стълб	Дължина на кабелите	
UK	Технічні характеристики	Розміри	Вага	розрахункова напруга	Споживана потужність	Температура води	Продуктивність	Водяний стовп	Довжина кабелю	
RU	Технические данные	Размеры	Вес	расчетное напряжение	Потребляемая мощность	Температура воды	Производительность	Водяной столб	Длина кабеля	
CN	技术参数	尺寸	重量	设计电压	耗用功率	水温	输送能力	水柱	电缆长度	
	PondoVario	750	145 x 125 x 90 mm	1.6 kg	230 V AC, 50 Hz	9 W	+4 ... +35 °C	≤ 720 l/h	≤ 1.10 m	10 m
		1000		1.6 kg		11 W		≤ 1000 l/h	≤ 1.30 m	
		1500	180 x 160 x 125 mm	1.9 kg		25 W		≤ 1500 l/h	≤ 1.90 m	
		2500		2.2 kg		40 W		≤ 2500 l/h	≤ 2.20 m	
		3500	210 x 190 x 140 mm	2.8 kg		70 W		≤ 3400 l/h	≤ 2.70 m	

		<b>IP 68</b> 			
<b>DE</b>	Symbole auf dem Gerät	Staubdicht. Wasserdicht bis 2 m Tiefe	Bei Frost das Gerät deinstallieren	Nicht mit normalem Hausmüll entsorgen!	Achtung! Lesen Sie die Gebrauchsanleitung
<b>EN</b>	Symbols on the unit	Dust tight. Submersible to 2 m depth.	Remove the unit at temperatures below zero (centigrade).	Do not dispose of together with household waste!	Attention! Read the operating instructions
<b>FR</b>	Symboles sur l'appareil	Imperméable aux poussières. Étanche à l'eau jusqu'à une profondeur de 2 m	Retirer l'appareil en cas de gel	Ne pas recycler dans les ordures ménagères !	Attention ! Lire la notice d'emploi
<b>NL</b>	Symbolen op het apparaat	Stofdicht. Waterdicht tot een diepte van 2 m	Bij vorst het apparaat deinstalleren	Niet bij het normale huisvuil doen!	Let op! Lees de gebruiksaanwijzing
<b>ES</b>	Símbolos en el equipo	A prueba de polvo. Impermeable al agua hasta 2 m de profundidad	Desinstale el equipo en caso de heladas	¡No deseche el equipo en la basura doméstica!	¡Atención! Lea las instrucciones de uso
<b>PT</b>	Símbolos sobre o aparelho	À prova de pó. À prova de água até 2 m de profundidade.	Em caso de geada, desinstalar o aparelho	Não deitar ao lixo doméstico!	Atenção! Leia as instruções de utilização
<b>IT</b>	Simboli sull'apparecchio	A tenuta di polvere. Impermeabile all'acqua fino a 2 m di profondità.	In caso di gelo disinstallare l'apparecchio	Non smaltire con normali rifiuti domestici!	Attenzione! Leggete le istruzioni d'uso!
<b>DA</b>	Symboler på apparatet	Støvtæt. Vandtæt ned til 2 m dybde	Afmonter apparatet ved frostvejr	Må ikke bortskaffes med det almindelige husholdningsaffald	OBS! Læs brugsanvisningen
<b>NO</b>	Symboler på apparatet	Støvtett. Vannrett ned til 2 m dyp	Ved frost, demonter apparatet	Ikke kast i alminnelig husholdningsavfall!	NB! Les bruksanvisningen
<b>SV</b>	Symboler på apparaten	Damtät. Vattentät till 2 m djup	Demontera apparaten innan första frosten.	Får inte kastas i hushållsoporna!	Varning! Läs igenom bruksanvisningen
<b>FI</b>	Laitteessa olevat symbolit	Pölytiivis. Vesitiivis 2 m syvyteen asti.	Laitte purettava ennen pakkasia	Älä hävitä laitetta tavallisen talousjätteen kanssa!	Huomio! Lue käyttöohje
<b>HU</b>	A készülék szimbólumai	Portómítelt. Vízálló 2 m-es mélységig	Fagy esetén a készüléket szerelje le	A készüléket nem a normál háztartási szeméttel együtt kell megsemmisíteni!	Figyelem! Olvassa el a használati útmutatót
<b>PL</b>	Symbole na urządzeniu	Pyłoszczelny. Wodoszczelny do 2 m głębokości.	W razie mrozu zdeinstalować urządzenie	Nie wyrzucać wraz ze śmieciami domowymi!	Uwaga! Przeczytać instrukcję użytkowania!
<b>CS</b>	Symbole na přístroji	Prachotěsný. Vodotěsný do hloubky 2 m	Při mrazu přístroj odinstalovat	Nelikvidovat v normálním komunálním odpadu!	Pozor! Přečtěte Návod k použití!
<b>SK</b>	Symbole na zariadení	Prachotesný. Vodotesný do hĺbky 2 m	Pri mraze prístroj odinštalovať	Nelikvidovať v normálnom komunálnom odpade!	Pozor! Prečítajte si Návod na použitie
<b>SL</b>	Simboli na napravi	Ne prepušča prahu. Vodotesno do globine 2 m.	Ob zmrzali demontirajte napravo.	Ne zavržite skupaj z gospodinjскими odpadki!	Pozor! Preberite navodila za uporabo!
<b>HR</b>	Simboli na uređaju	Ne propušta prašinu. Ne propušta vodu do 2 m dubine.	U slučaju mraza deinstalirajte uređaj.	Nemojte ga bacati u običan kućni otpad!	Pažnja! Pročitajte upute za upotrebu!
<b>RO</b>	Simbolurile de pe aparat	Etanș la praaf. Etanș la apă până la o adâncime de 2 m.	Dezinstalați aparatul pe timp de îngheț	Nu aruncați în gunoaiul menajer !	Atenție ! Citiți instrucțiunile de utilizare !
<b>BG</b>	Символи върху уреда	Защитено от прах. Водоустойчив до дълбочина 2 м	При ниски температури и опасност от замръзване деинсталирайте уреда	Не изхвърляйте заедно с обикновения домакински боклук!	Внимание! Прочетете упътването
<b>UK</b>	Символи на пристрої	Пилонепроникний. Водонепроникний до 2 м	Перед морозами пристрій необхідно демонтувати	Не викидайте разом із побутовим сміттям!	Увага! Читайте інструкцію.
<b>RU</b>	Символи на пристрої	Пыленепроницаемый, водонепроницаемый на глубине до 2 м	При наступлении морозов прибор демонтировать	Не утилизировать вместе с домашним мусором!	Внимание! Прочитайте инструкцию по использованию

Pos.	PondoVario				
	750	1000	1500	2500	3500
1	28224	28224	28224	28224	22176
2	-	-	-	-	29146
3	22647	28351	18012	18013	14364
4	35762	35762	35769	35770	35771
5	30585	30585	28636	28636	30584
6	-	-	27980	27980	30586



PVO0007



**PfG GmbH**  
Tecklenburger Straße 161  
D - 48469 Hörstel  
Germany  
[www.pontec.com](http://www.pontec.com)



30850/10-17