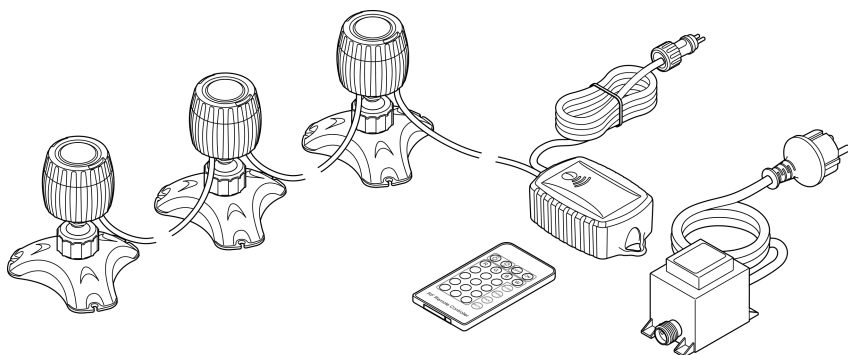
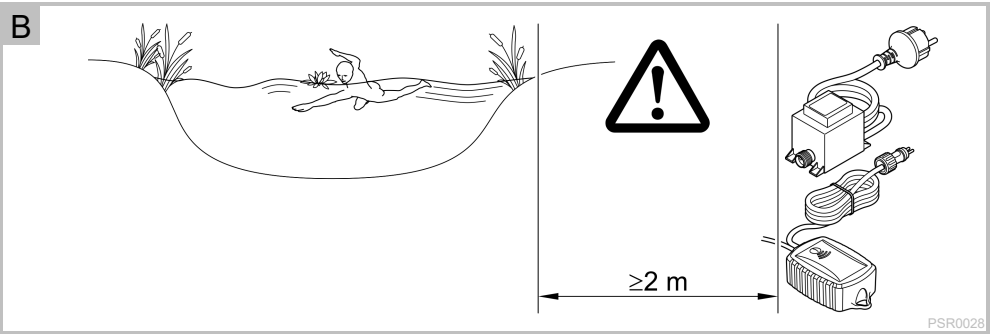
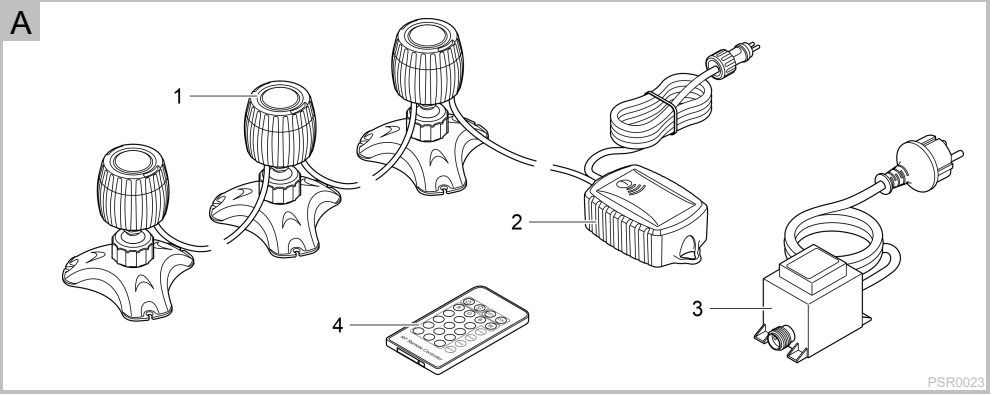




PondoStar LED RGB Set 3

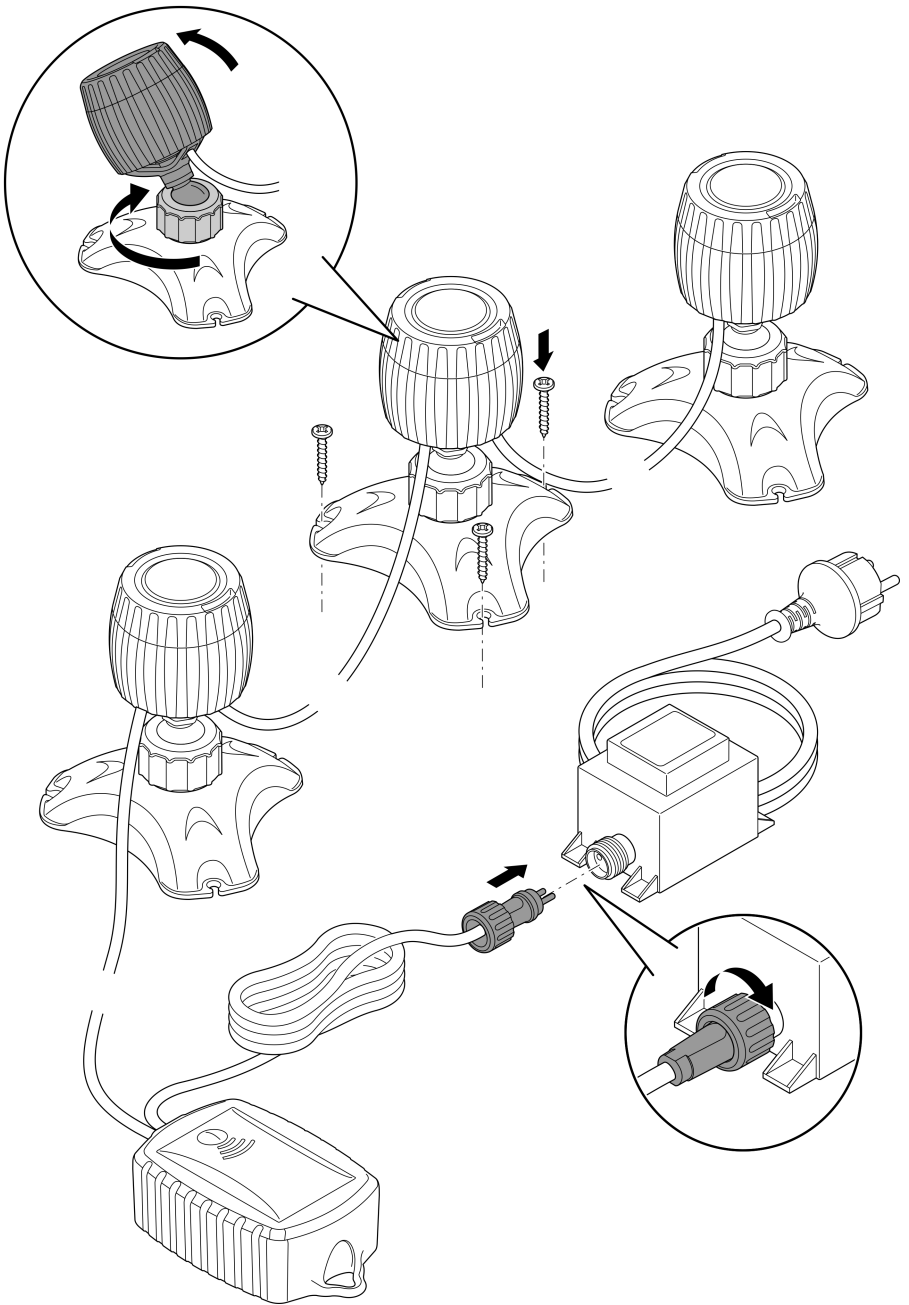
Operating instructions



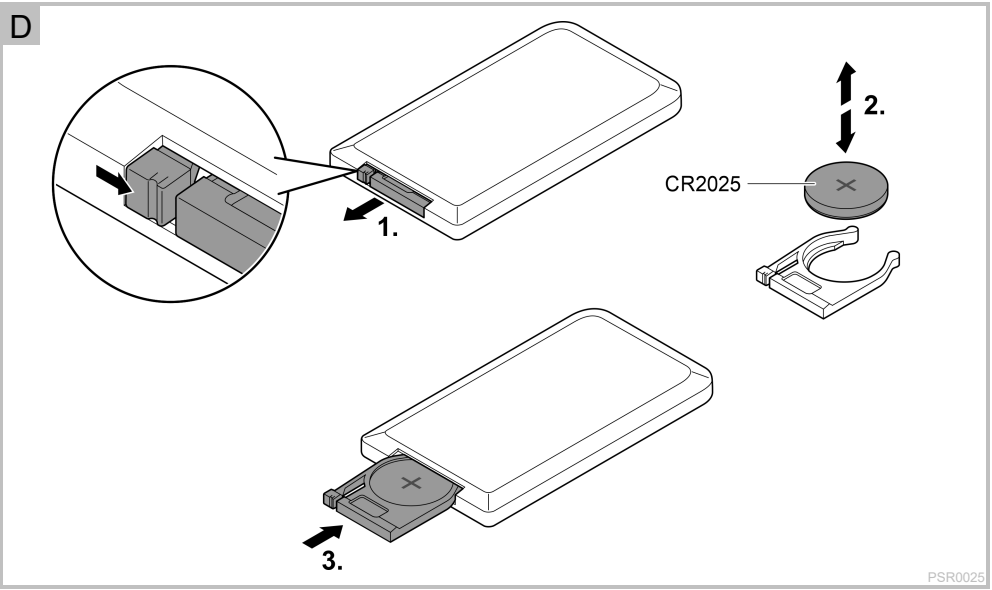




C



PSR0024



Translation of the original Operating Instructions

WARNING

- This unit can be used by children aged 8 and above and by persons with reduced physical, sensory or mental capabilities or lack of experience and knowledge if they are supervised or have been instructed on how to use the unit in a safe way and they understand the hazards involved.
- Do not allow children to play with the unit.
- Only allow children to carry out cleaning and user maintenance under supervision.
- Ensure that the unit is fused for a rated fault current of max. 30 mA by means of a fault current protection device.
- Only connect the unit if the electrical data of the unit and the power supply correspond. The unit data is to be found on the unit type plate, on the packaging or in this manual.
- Possible death or severe injury from electrocution! Before reaching into the water, disconnect all electrical units in the water from the mains.
- Do not use the unit if electrical cables or housings are damaged.
- A damaged connection cable cannot be replaced. Dispose of the unit.

Safety information

Correct electrical installation

- Electrical installations must meet the national regulations and may only be carried out by a qualified electrician.
- A person is regarded as a qualified electrician if, due to his/her vocational education, knowledge and experience, he or she is capable of and authorised to judge and carry out the work commissioned to him/her. This also includes the recognition of possible hazards and the adherence to the pertinent regional and national standards, rules and regulations.
- Only connect the unit if the electrical data of the unit and the power supply correspond.
- For your own safety, please consult a qualified electrician.
- Extension cables and power distributors (e.g. outlet strips) must be suitable for outdoor use (splash-proof).
- Install the transformer at a minimum safety distance of 2 m from the water.
- Protect the plug connection from moisture.
- Only connect the unit to a correctly fitted socket.

Safe operation

- Never carry or pull the unit by the electrical cable.
- Route cables such that they are protected from damage and do not present a tripping hazard.
- Only open the unit housing or its attendant components if this is explicitly specified in the operating instructions.
- Only carry out work on the unit that is described in this manual. If problems cannot be overcome, please contact an authorised customer service point or, if in doubt, the manufacturer.
- Only use original spare parts and accessories for the unit.
- Never carry out technical changes to the unit.
- Only operate the unit with the supplied transformer.
- The power pack or transformer and plug connections are only protected from rain and splash water, they are not waterproof. Ensure that they are never placed in water.

Information about these operating instructions

You made a good choice with the purchase of this product **PondoStar LED RGB Set 3**.

Prior to commissioning the unit, please read the instructions of use carefully and fully familiarise yourself with the unit. Ensure that all work on and with this unit is only carried out in accordance with these instructions.

Adhere to the safety information for the correct and safe use of the unit.

Keep these instructions in a safe place! Please also hand over the instructions when passing the unit on to a new owner.

Warnings used in these instructions

The warning information is categorised by signal words, which indicate the extent of the hazard.



WARNING

Indicates a possibly dangerous situation, which could lead to death or severe injuries, if not avoided.



NOTE

Indicates a possibly dangerous situation, which could lead to damage to property or the environment, if not avoided.

Cross-references used in these instructions

- A reference to a figure, e.g. figure A.
- Reference to another section.

Intended use

Only use the product described in this manual as follows:

- For use in water fountain systems and ponds.
- For use above and under water.
- Use for private purposes only.
- Operate in accordance with instructions. (→ Technical data)

The following restrictions apply to the unit:

- Do not use in conjunction with chemicals, foodstuff, easily flammable or explosive substances.

Scope of delivery

□ A	Quantity	Description
1	3	LED spotlight
2	1	Receiver
3	1	Transformer
4	1	Remote control

Installation and connection

□ B, C

- Install the transformer at a minimum safety distance of 2 m from the water.
- Install the receiver outside of the water.
- Ensure that the spotlights are positioned and secured so that they do not pose a risk to anybody.
- Connect the plug of the spotlight connection cable to the socket on the transformer and hand-tighten the union nut.
- Position the spotlights outside of the water or in the water and tilt the light head as desired.

Commissioning/start-up



WARNING

Possible death or severe injury from hazardous electrical voltage!

- Prior to reaching into the water, isolate (switch off and disconnect) all units/devices used in the water.
- Isolate the device (disconnect from the power supply) before carrying out any work on it.



NOTE

The unit will be destroyed if it is operated with a dimmer. It contains sensitive electrical components.

- Do not connect the unit to a dimmable power supply.

Switching on: Insert the power plug of the transformer into the socket.

- Check the function of the spotlights.

Switching off: Disconnect the transformer power plug.

Operation

The spotlight is operated using the buttons on the remote control:

	Buttons	Function
	1	Switch on/off the spotlight.
	2	Selection of effects. After selecting an effect, buttons 4 can be used to adjust the effect speed.
	3	Select the spotlight colour. After selecting a colour, buttons 4 can be used to adjust the brightness.
4	Setting the effect brightness or speed.	

Remedy of faults

Malfunction	Cause	Remedy
Spotlights do not light up	Power supply interrupted	Check power supply
	Transformer defective	Replace transformer
Illuminating power decreasing	Spotlight soiled	Clean
	Remote control battery too weak	Replace the battery.
Spotlights can be switched on/off, but light effects cannot be changed		

Maintenance and cleaning



WARNING

Possible death or severe injury from hazardous electrical voltage!

- Prior to reaching into the water, isolate (switch off and disconnect) all units/devices used in the water.
- Isolate the device (disconnect from the power supply) before carrying out any work on it.

If necessary, clean the unit with clear water using a soft brush.

- Ensure that no moisture can enter the unit.

Changing the battery

How to proceed:

D

Open the battery compartment.

Pull the battery from its holder and replace it.

- Pay attention to the polarity of the batteries.

Push the battery holder into the remote control.

Wear parts

- Battery

Disposal



NOTE

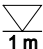

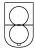



Do not dispose of this unit with domestic waste.

- Render the unit unusable beforehand by cutting the cables and dispose of the unit via the return system provided for this purpose.

Technical data

Area		PondoStar LED RGB Set 3		
Transformer	Rated voltage	V AC / Hz	230 / 50	
	Output voltage	V AC	12	
	Max. power output	VA	12	
	Protection type		IP 44	
	Length of power cable	m	2	
Receiver	Protection type		IP 44	
Spotlight	Max. immersion depth	m	1	
	Operation at water temperature	°C	+4 ... +35	
	Length of the connection cable	to receiver	m	3
		between the spotlights	m	2
	Dimensions (Ø × H)	mm	125 × 125	
Remote control	Max. power consumption	W	5	
	Type button cell		CR2025	
Weight		kg	0.75	

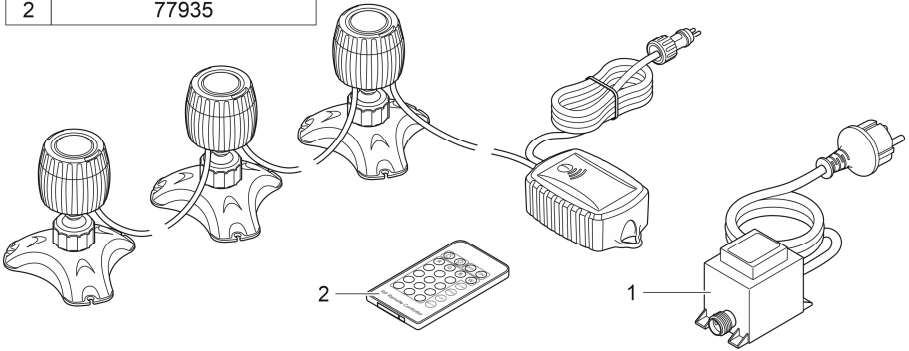
Symbols on the unit

IP 68 	Complete protection against contact, dust-tight, protected from continuous immersion in water to a depth of 1 m.
IP 44	Dust protected. Splash water protected
	Protection class III Device operates with safety low voltage or extra-low voltage
	Safety transformer
LED class 1	Do not look directly into the beam source
	Protect from direct sunlight.
	Do not dispose of with household waste.
	Read and adhere to the instructions for use.

Guarantee conditions

PfG grants a 2 year guarantee from the date of sale on proven material and manufacturing faults. Wear parts such as bulbs etc. are exempted from the guarantee. Prerequisite for our guarantee is the presentation of the purchase receipt. Our guarantee will become null and void if the unit is misused, electrically or mechanically damaged by inappropriate use and improper repair by non-authorised workshops. Repairs are reserved for workshops authorised by PfG or by PfG itself. In the case of warranty claims, please return the defective unit or part freight paid to PfG together with a description of the fault and the purchase receipt. PfG reserves the right to invoice repair costs. PfG is not liable for transport damage. Any damage must be claimed against the carrier. Further claims of whatever type, especially consequential damage, are excluded. This guarantee does not affect the final customer's claims against the dealer.

Pos.	PondoStar LED RGB Set 3
1	22316
2	77935



PSR0026



PfG GmbH
Tecklenburger Straße 161
D - 48477 Hörstel
Germany
www.pontec.com

CE