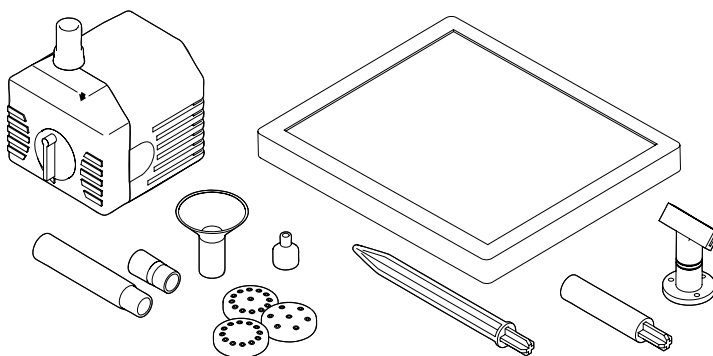
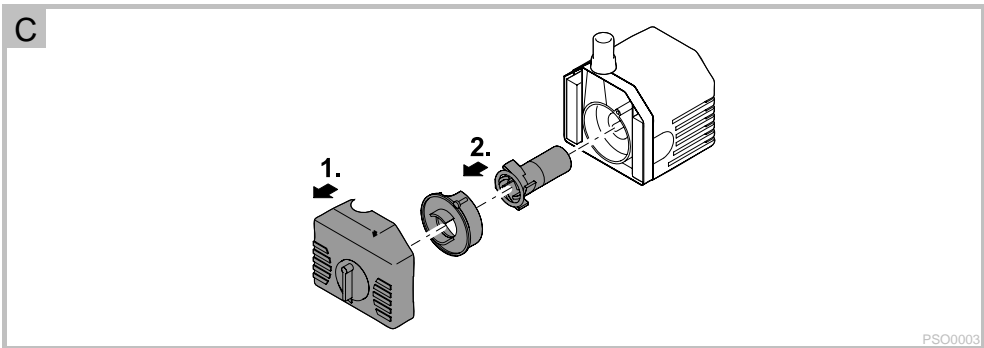
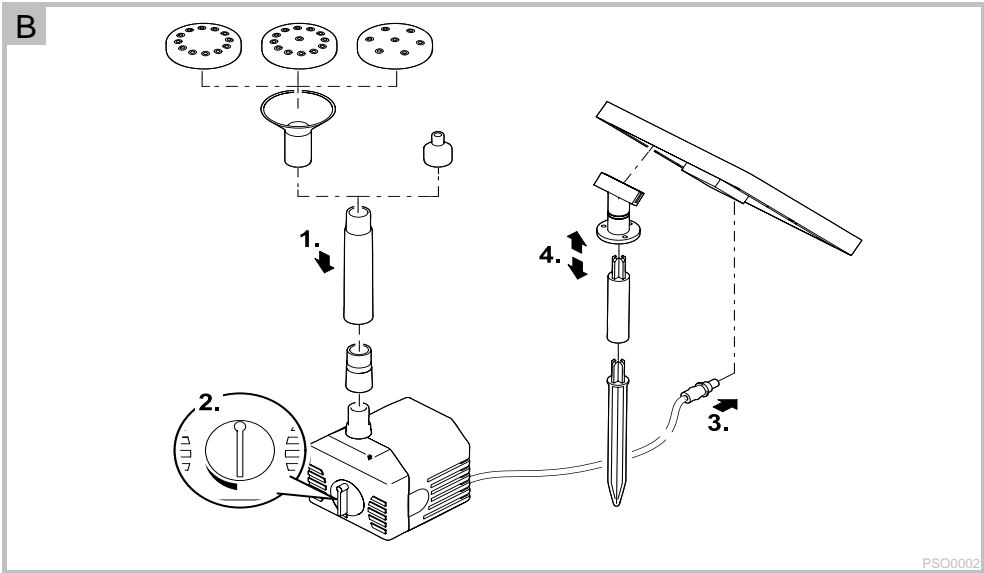
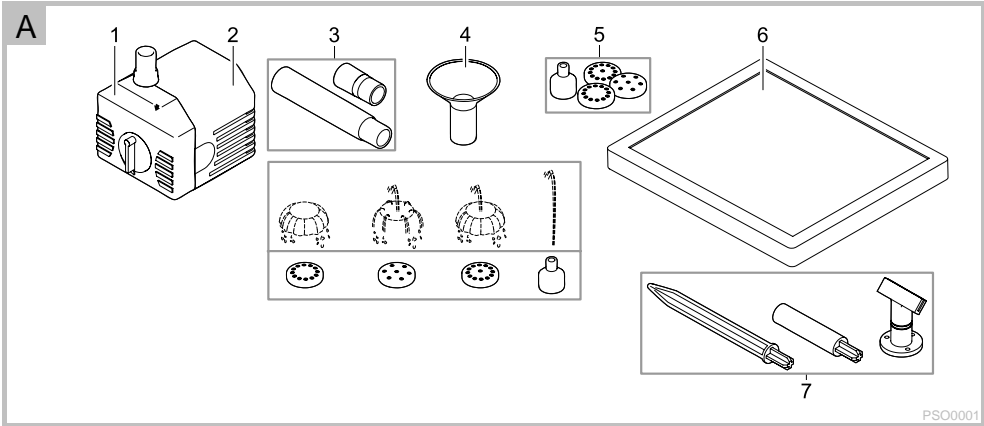




- DE Gebrauchsanleitung
- GB Operating instructions
- FR Notice d'emploi
- NL Gebruiksaanwijzing
- ES Instrucciones de uso
- PT Instruções de uso
- IT Istruzioni d'uso
- DK Brugsanvisning
- NO Bruksanvisning
- SE Bruksanvisning
- FI Käyttöohje
- HU Használati útmutató
- PL Instrukcja użytkowania
- CZ Návod k použití
- SK Návod na použitie
- SI Navodila za uporabo
- HR Uputa o upotrebi
- RO Instrucțiuni de folosință
- BG Упътване за употреба
- UA Посібник з експлуатації
- RU Руководство по эксплуатации

PondoSolar 150





- GB -

Translation of the original Operating Instructions

Information about these operating instructions

You made a good choice with the purchase of this product **PondoSolar 150**.

Prior to commissioning the unit, please read the instructions of use carefully and fully familiarise yourself with the unit. Ensure that all work on and with this unit is only carried out in accordance with these instructions.

Adhere to the safety information for the correct and safe use of the unit.

Keep these instructions in a safe place! Please also hand over the instructions when passing the unit on to a new owner.

Symbols used in these instructions

- A Reference to one or more figures. In this example: Reference to Fig. A.
- Reference to another section.

Scope of delivery

<input type="checkbox"/> A	Quantity	Description
1	1	Filter housing with control knob for setting the flow rate
2	1	Pump with outlet and 5 m connection cable
3	4	Nozzle extension
4	1	Nozzle holder
5	4	Nozzle attachment
6	1	Solar module
7	1	Ground stake set

Intended use

PondoSolar 150, referred to in the following as "unit", may only be used as specified in the following:

- For creating a water fountain in a pond.
- For operation with clean water.
- Operation under observance of the technical data.

The following restrictions apply to the unit:

- Never use the unit to convey fluids other than water.
- Never run the unit without water.
- Do not use for commercial or industrial purposes.
- Do not use in conjunction with chemicals, foodstuff, easily flammable or explosive substances.
- Do not connect to the domestic water supply.

Safety information

This unit can be used by children from the age of 8 and by persons with physical, sensory or mental impairments or lack of experience and knowledge, as long as they are supervised or instructed on how to use the unit safely and are able to understand the potential hazards. Do not allow children to play with the unit. Do not allow children to clean or maintain the unit without close supervision.

Safe operation

- Do not carry or pull the unit by its electrical cable.
- Route cables/hoses such that they are protected from damage and do not present a tripping hazard.
- Only use original spare parts and accessories for the unit.
- In the case of electrical units and installations with a rated voltage of $U > 12 \text{ V AC}$ or $U > 30 \text{ V DC}$ located in the water: Isolate the units and installations (switch off and disconnect from the power supply) before reaching into the water.
- Only operate the pump together with the supplied solar module.
- Do not allow the pump to run dry.
- Protect the unit from knocks or vibration.
- Clean the unit at least twice a year.
- Keep the connection plugs dry.

Installation and connection

How to proceed:

B

1. Assemble the nozzle unit and fit onto the pump.
 - Adapt the number of nozzle extensions used to the depth of the pond.
2. Set the desired pump flow rate.
 - To increase: Turn the control knob counterclockwise.
 - To reduce: Turn the control knob clockwise.
 - Recommendation: The maximum flow rate is the optimum setting for the fountain display. For this, turn the control knob counterclockwise.
3. Connect the connection cable to the solar module.
 - Push the plug completely into the socket (up to the stop) to ensure that the connection is watertight.
 - Switching on: Connect the pump to the solar module.
 - Switching off: Disconnect the solar module from the pump.
4. Assemble the ground stake set and attach it to the solar module.
 - Ensure that the connection cable is routed downwards.
5. Fix the pump underwater to a smooth, clean surface using the suction cups.
6. Install the solar module so that it is exposed to direct sunlight.
 - Recommendation: Align the solar module to the sun to ensure maximum energy yield.

Remedy of faults

Malfunction	Cause	Remedy
Pump does not start.	No connection to the solar module.	Connect the pump to the solar module. Correctly insert the connection cable.
	The solar module is soiled.	Clean
	The impeller unit is blocked	Clean
Insufficient or no pump delivery.	The filter is clogged.	Open the pump, remove and clean the filter.
	The nozzle unit is clogged.	Remove and clean the nozzle unit.
	The impeller unit is worn.	Replace
	Insufficient sunlight	Direct sunlight

- GB -

Maintenance and cleaning

The unit has to be taken out of the water for cleaning or maintenance.

Cleaning the unit

- Never use aggressive cleaning agents or chemical solutions. These could attack the housing surface or impair the function.
- Recommended cleaning agent for removing stubborn limescale deposits:
 - Vinegar- and chlorine-free household cleaning agent.

How to proceed:

1. Disassemble the unit.
2. Clean the filter housing and impeller unit. (→ Replacing the impeller unit)
3. Pull the nozzle unit apart.
4. Clean all parts.
 - Use a soft brush as an aid.
 - Rinse parts in clean water.
5. Clean the solar module with a damp cloth and wipe dry.
6. Reassemble the unit in the reverse order.

Replacing impeller unit

How to proceed:

C

1. Pull the filter housing from the pump.
2. Pull the cover off the impeller unit and pull out the impeller unit.
3. Reassemble the unit in the reverse order.

Wear parts

The impeller unit is a wearing part and does not fall under the warranty.

Storage/Over-wintering

Observe the permissible operating temperature range. (→ Technical data)

- If the limit values are exceeded or gone below, it is necessary to remove the unit. Clean the unit thoroughly and check it for damage.
- Store the pump submerged and in a frost-free environment.

Disposal



Do not dispose of this unit with domestic waste! For disposal purposes, please use the return system provided. Disable the unit beforehand by cutting off the cables.




Guarantee conditions

PfG grants a 2 year guarantee from the date of sale on proven material and manufacturing faults. Prerequisite for our guarantee is the presentation of the purchase receipt. Our guarantee will become null and void if the unit is misused, electrically or mechanically damaged by inappropriate use and improper repair by non-authorized workshops. Repairs are reserved for workshops authorised by PfG or by PfG itself. In the case of warranty claims, please return the defective unit or part freight paid to PfG together with a description of the fault and the purchase receipt. PfG reserves the right to invoice repair costs. PfG is not liable for transport damage. Any damage must be claimed against the carrier. Further claims of whatever type, especially consequential damage, are excluded. This guarantee does not affect the final customer's claims against the dealer.

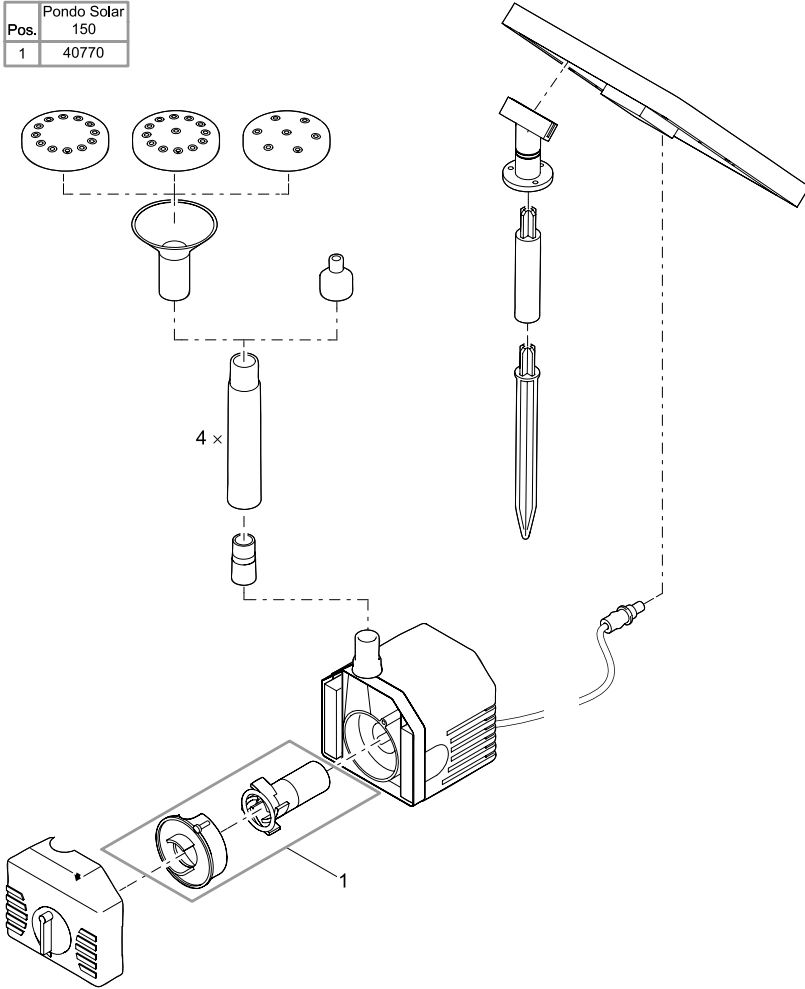


DE	Abmessungen	Bemessungsspannung	Max. Leistung	Förderleistung	Wassersäule	Tauchtiefe	Wassertemperatur	Umgebungstemperatur
GB	Dimensions	Rated voltage	Max. power	Max. flow rate	Max. head height	Immersion depth	Water temperature	Ambient temperature
FR	Dimensions	Tension de mesure	Rendement max.	Capacité de refoulement	Colonne d'eau	Profondeur d'immersion	Température de l'eau	Température ambiante
NL	Afmetingen	Dimensioneringsspanning	Max. capaciteit	Pomp capaciteit	Water-hoofm	Dompelepte	Watertemperatuur	Omgivingstemperatuur
ES	Dimensiones	Tension assigned	Potencia máxima	Capacidad de elevación	Columna de agua	Profundidad de inmersión	Temperatura del agua	Temperatura ambiente
PT	Dimensões	Voltagem considerada	Potência máx.	Débito	Coluna de água	Profundidade de imersão	Temperatura da água	Temperatura ambiente
IT	Dimensioni	Tensione di taratura	Potenza max.	Portata	Colonna d'acqua	Profondità d'immersione	Temperatura dell'acqua	Temperatura ambiente
DK	Dimensioner	Nominal spænding	Maks. effekt	Pumpekapaцит	Vandsøjle	Neddykningsdybde	Vandtemperaturen	Omgivelsesstemperatur
NO	Mål	Merkespenning	Maks. effekt	Kapasitet	Vannssøyle	Nedsenkningsdybde	Vannstemperatur	Omgivelsesstemperatur
SE	Mått	övre märkspänning	Max. effekt	Matningsprestanda	Vattenpelare	Doppningsdjup	Vattentemperatur	Omgivningsstemperatur
FI	Mittat	mitoitusjännite	Maksimiteho	Pumpun teho	Vesipatsas	Uputussyvyyt	Veden lämpötila	Ympäristön lämpötila
HU	Méreték	mért feszültség	Max. teljesítmény	Szállítási teljesítmény	Vízoszlop	Mérőlési mélység	Víz hőmérséklet	Környezet hőmérséklet
PL	Wymiary	napięcie znamionowe	Moc maks.	Wydajność pompo-wania	Stup wody	Głębokość zanurzenia	Temperatura wody	Temperatura otoczenia
CZ	Rozměry	domezovací napětí	Max. výkon	Dopravní výkon	Vodní sloupec	Hlubka ponoření	Teplota vody	Teplota prostředí
SK	Rozmery	dimenzačné napätie	Max. výkon	Dopravný výkon	Vodný stĺpec	Hĺbka ponorenia	Teplota vody	Teplota okolitého prostredia
SI	Dimenzije	dimenzionirana napetost	Maks. zmogljivost	Črpalna zmogljivost	Vodni ste-ber	Globina potap-ljanja	Temperatura vode	emperatura okolice
HR	Dimenzije	gornji nazivni napon	Maks. snaga	Protokni kapacitet	Vodeni stup	Dubina uranjanja	Temperatura vode	Temperatura okoline
RO	Dimensiuni	tensiunea măsurată	Puteea max.	Debit de pompare	Coloană de apă	Adâncimea de imersie	Temperatura apei	Temperatura ambiantă
BG	Размери	номинално напрежение	Макс. мощност	Дебит	Воден стълб	Дълбочина на погряване	Температурата на водата	Околна температура
UA	Розміри	розрахункова напруга	Макс. продуктивність	Продуктивність	Водяний стовп	Глибина занурення	Температура води	Температура навколишнього середовища
RU	Размеры	расчетное напряжение	Макс. мощность	Производительность	Водяной столб	Глубина погружения	Температура воды	Окружающая температура
		6 V DC		≤ 150 l/h	≤ 0.6 m	≤ 0.6 m	+4 ... +35 °C	
		6 V DC	1.4 W					+4 ... +35 °C



	IP 68 		
DE	Staubdicht. Wasserdicht bis 0.6 m Tiefe	Nicht mit normalem Hausmüll entsorgen!	Achtung! Lesen Sie die Gebrauchsanleitung
GB	Dust tight. Submersible to 0.6 m depth.	Do not dispose of together with household waste!	Attention! Read the operating instructions
FR	Imperméable aux poussières. Étanche à l'eau jusqu'à une profondeur de 0.6 m	Ne pas recycler dans les ordures ménagères !	Attention ! Lire la notice d'emploi
NL	Stofdicht. Waterdicht tot een diepte van 0.6 m	Niet bij het normale huisvuil doen!	Let op! Lees de gebruiksaanwijzing
ES	A prueba de polvo. Impermeable al agua hasta 0.6 m de profundidad	¡No deseche el equipo en la basura doméstica!	¡Atención! Lea las instrucciones de uso
PT	À prova de pó. À prova de água até 0.6 m de profundidade.	Não deitar ao lixo doméstico!	Atenção! Leia as instruções de utilização
IT	A tenuta di polvere. Impermeabile all'acqua fino a 0.6 m di profondità.	Non smaltire con normali rifiuti domestici!	Attenzione! Leggete le istruzioni d'uso!
DK	Støvtæt. Vandtæt ned til 0.6 m dybde	Må ikke bortskaffes med det almindelige husholdningsaffald	OBS! Læs brugsanvisningen
NO	Støvtett. Vanntett ned til 0.6 m dyp	Ikke kast i alminnelig husholdningsavfall!	NB! Les bruksanvisningen
SE	Dammtät. Vattentät till 0.6 m djup	Får inte kastas i hushållssoporna!	Varning! Läs igenom bruksanvisningen
FI	Pölytiivis. Vesitiivis 0.6 m syvyyteen asti.	Älä hävittää laitetta tavallisen talousjätteen kanssa!	Huomio! Lue käyttöohje
HU	Portömített. Vízálló 0.6 m-es mélységig	A készüléket nem a normál háztartási szeméttel együtt kell megsemmisíteni!	Figyelem! Olvassa el a használati útmutatót
PL	Pyłoszczelny. Wodoszczelny do 0.6 m głębokości.	Nie wyrzucać wraz ze śmieciami domowymi!	Uwaga! Przeczytać instrukcję użytkowania!
CZ	Prachotěsný. Vodotěsný do hloubky 0.6 m	Nelikvidovat v normálním komunálním odpadu!	Pozor! Přečtěte Návod k použití!
SK	Prachotesný. Vodotesný do hĺbky 0.6 m	Nelikvidovať v normálnom komunálnom odpade!	Pozor! Prečítajte si Návod na použitie
SI	Ne prepušča prahu. Vodotesno do globine 0.6 m.	Ne zavržite skupaj z gospodinjскими odpadki!	Pozor! Preberite navodila za uporabo!
HR	Ne propušta prašinu. Ne propušta vodu do 0.6 m dubine.	Nemojte ga bacati u običan kućni otpad!	Pažnja! Pročitajte upute za upotrebu!
RO	Etanș la praf. Etanș la apă până la o adâncime de 0.6 m.	Nu aruncați în gunoii menajer !	Atenție ! Citiți instrucțiunile de utilizare !
BG	Защитено от прах. Водоустойчив до дълбочина 0.6 м	Не изхвърляйте заедно с обикновения домакински боклук!	Внимание! Прочетете упътването
UA	Пилонепроникний. Водонепроникний до 0.6 м	Не викидайте разом із побутовим сміттям!	Увага! Читайте інструкцію.
RU	Пыленепроницаемый, водонепроницаемый на глубине до 0.6 м	Не утилизировать вместе с домашним мусором!	Внимание! Прочитайте инструкцию по использованию

Pos.	Pondo Solar 150
1	40770



PSO0004



PfG GmbH
Tecklenburger Straße 161
D - 48469 Hörstel
Germany
www.pontec.com

CE

40684/11-14