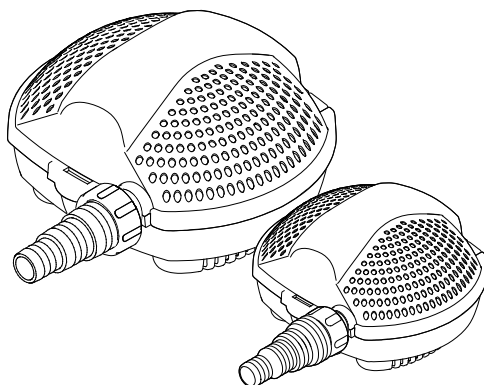


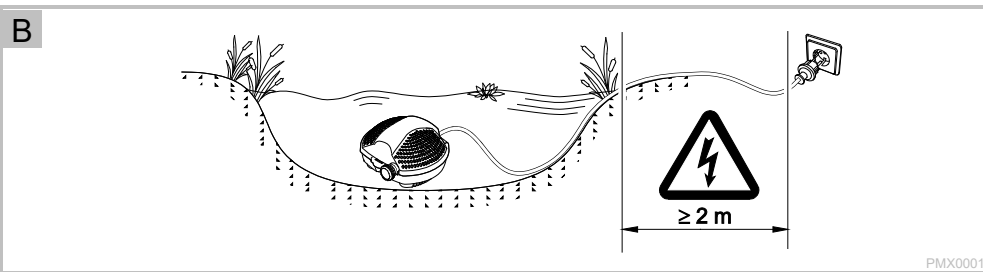
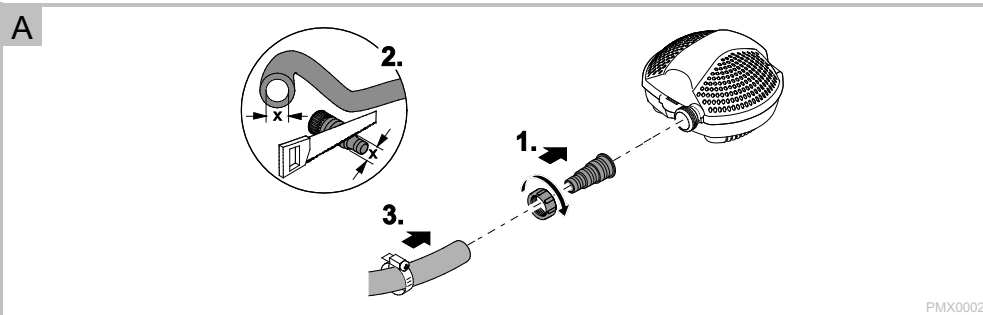


EN Operating instructions

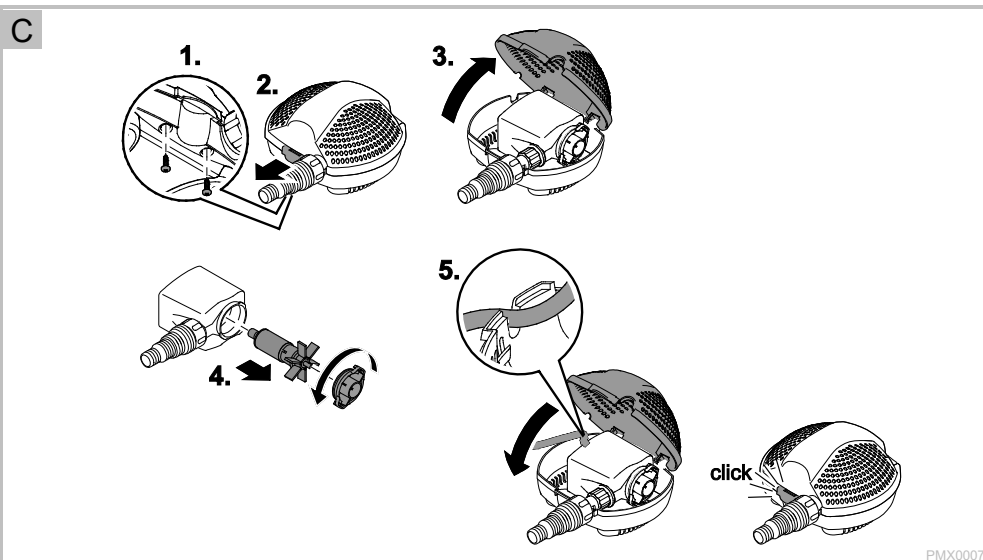
PondoMax Eco

1500/2500/3500/5000/8000/11000/14000/17000





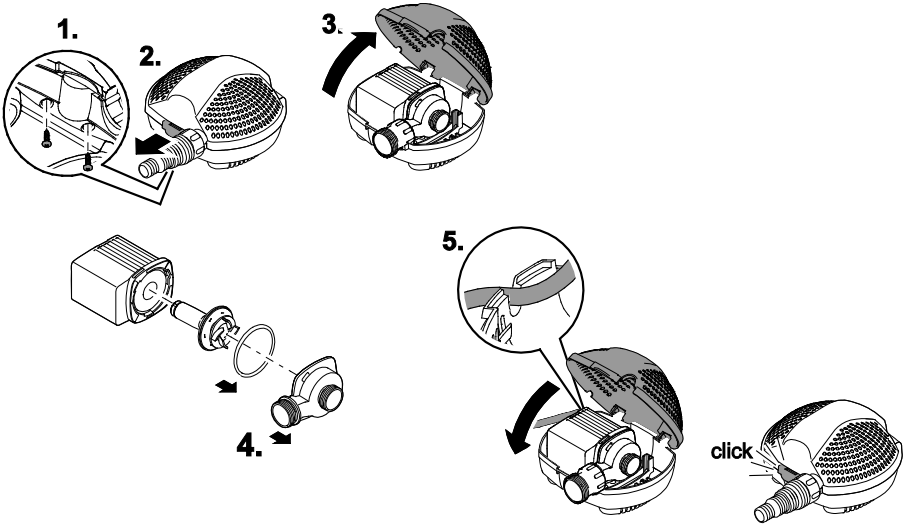
PondoMax Eco 1500/2500





PondoMax Eco 3500

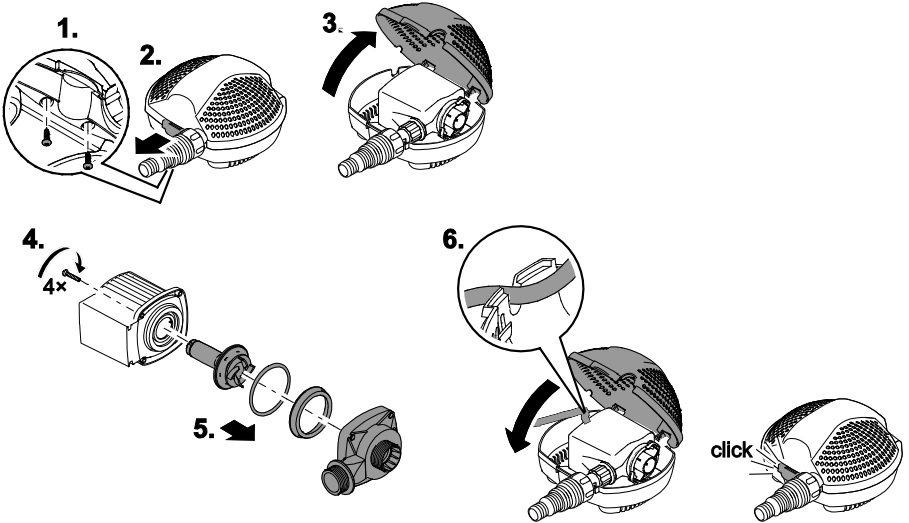
D



PMX0013

PondoMax Eco 5000/8000/11000/14000/17000

E



PMX0003

Translation of the original Operating Instructions

WARNING

- This unit can be used by children aged 8 and above and by persons with reduced physical, sensory or mental capabilities or lack of experience and knowledge if they are supervised or have been instructed on how to use the unit in a safe way and they understand the hazards involved.
- Do not allow children to play with the unit.
- Only allow children to carry out cleaning and user maintenance under supervision.
- Ensure that the unit is fused for a rated fault current of max. 30 mA by means of a fault current protection device.
- Only connect the unit if the electrical data of the unit and the power supply correspond. The unit data is to be found on the unit type plate, on the packaging or in this manual.
- Possible death or severe injury from electrocution! Before reaching into the water, disconnect all electrical units in the water from the mains.
- Only operate the unit if no persons are in the water.
- Do not use the unit if electrical cables or housings are damaged.
- A damaged connection cable cannot be replaced. Dispose of the unit.

Safety information

Correct electrical installation

- Electrical installations must meet the national regulations and may only be carried out by a qualified electrician.
- A person is regarded as a qualified electrician if, due to his/her vocational education, knowledge and experience, he or she is capable of and authorised to judge and carry out the work commissioned to him/her. This also includes the recognition of possible hazards and the adherence to the pertinent regional and national standards, rules and regulations.
- For your own safety, please consult a qualified electrician.
- Extension cables and power distributors (e.g. outlet strips) must be suitable for outdoor use (splash-proof).
- Protect the plug connection from moisture.
- Only connect the unit to a correctly fitted socket.

Safe operation

- The impeller unit in the pump contains a magnet with a strong magnetic field that may affect the operation of pacemakers or implantable cardioverter defibrillators (ICDs). Always keep magnets at least 0.2 m away from implanted devices.
- Keep the socket and power plug dry.
- Never carry or pull the unit by the electrical cable.
- Route cables such that they are protected from damage and do not present a tripping hazard.
- Never carry out technical changes to the unit.
- Only carry out work on the unit that is described in this manual. If problems cannot be overcome, please contact an authorised customer service point or, if in doubt, the manufacturer.
- Only use original spare parts and accessories for the unit.

Information about these operating instructions

You made a good choice with the purchase of this product **PondoMax Eco 1500/2500/3500/5000/8000/11000/14000/17000**.

Prior to commissioning the unit, please read the instructions of use carefully and fully familiarise yourself with the unit. Ensure that all work on and with this unit is only carried out in accordance with these instructions.

Adhere to the safety information for the correct and safe use of the unit.

Keep these instructions in a safe place! Please also hand over the instructions when passing the unit on to a new owner.

Warnings used in these instructions

The warning information is categorised by signal words, which indicate the extent of the hazard.



WARNING

- Indicates a possibly hazardous situation.
- Non-observance may lead to death or serious injuries.



CAUTION

- Indicates a possibly hazardous situation.
- Non-observance may lead to slight or minor injuries.



NOTE

Information for the purpose of clarification or for preventing possible damage to assets or to the environment.

Cross-references used in these instructions

- A reference to a figure, e.g. figure A.
- Reference to another section.

Intended use

Only use the product described in this manual as follows:

- For pumping normal pond water for water features and fountains.
- Use for private purposes only.
- Operate in accordance with instructions.

The following restrictions apply to the unit:

- Do not use in swimming ponds.
- Never use the unit with fluids other than water.
- Never run the unit without water.
- Do not use in conjunction with chemicals, foodstuff, easily flammable or explosive substances.
- Do not connect to the domestic water supply.

Installation and connection

Connecting the hose

How to proceed:

A

1. Screw the stepped hose adapter to the outlet.
2. Shorten the stepped hose adapter to the diameter of the hose used if necessary.
 - This reduces pressure losses.
3. Slip the hose clip over the hose, fit the hose onto the hose connector and secure with the hose clip.

Installing the unit

B

- Never operate the pump in a swimming pond.
- Ensure that the connection to the power supply is at least 2 m from the pond.

Place the unit horizontally on the ground ensuring its stable position.

Commissioning/start-up



NOTE

The unit will be destroyed if it is operated with a dimmer. It contains sensitive electrical components.

- Do not connect the unit to a dimmable power supply.

Switching on: Connect the unit to the mains. The unit switches on immediately.

Switching off: Disconnect the unit from the mains.

Remedy of faults

Malfunction	Cause	Remedy
Pump does not start	No mains voltage	Check mains voltage Clean/check supply lines
Pump does not deliver	Filter housing clogged	Clean strainer casings Reduce hose length to the necessary minimum, do not use unnecessary connection parts
Insufficient delivered quantity	Filter housing clogged Excessive loss in the supply hoses	Clean strainer casings Reduce hose length to the necessary minimum, do not use unnecessary connection parts
Pump switches off after a short running time	Excessively soiled water Water temperature too high	Clean pump Note maximum water temperature of +35 °C

Maintenance and cleaning

Cleaning the device

Recommendation regarding cleaning:

- Clean the unit as required but at least twice a year.
 - When cleaning the pump, pay particular attention to the cleaning of the impeller unit and pump housing.
-

- In the event of the filter housing capacity reducing, clean the unit under running water using a brush.
- Do not use cleaning agents or chemical solutions.
- Recommended cleaning agent for removing stubborn limescale deposits:
 - Vinegar- and chlorine-free household cleaning agent.
- After cleaning, thoroughly rinse all parts in clean water.

PondoMax Eco 1500/2500

Cleaning/replacing the impeller unit

How to proceed:

- C
1. Remove screws.
 - The screws are used as transport protection and not required for operation.
 2. Actuate the engagement hook and fold up the strainer top casing.
 3. Remove pump.
 4. Unscrew the pump housing and pull out the impeller unit.
 - Clean all components under running water using a soft brush, replace damage parts.
 5. Reassemble the unit in the reverse order.
 - Place the pump cable into the cable opening of the bottom strainer casing such that the cable will not be crushed when closing the filter housing.

PondoMax Eco 3500

Cleaning/replacing the impeller unit

How to proceed:

- D
1. Remove screws.
 - The screws are used as transport protection and not required for operation.
 2. Actuate the engagement hook and fold up the strainer top casing.
 3. Remove pump.
 4. Unscrew the pump housing by turning counter-clockwise and remove (bayonet closing mechanism).
 - Clean all components under running water using a soft brush, replace damage parts.
 5. Reassemble the unit in the reverse order.
 - Place the pump cable into the cable opening of the bottom strainer casing such that the cable will not be crushed when closing the filter housing.

PondoMax Eco 5000/8000/11000/14000/17000

Cleaning/replacing the impeller unit

How to proceed:

- E
1. Remove screws.
 - The screws are used as transport protection and not required for operation.
 2. Actuate the engagement hook and fold up the strainer top casing.
 3. Remove pump.
 4. Remove screws.
 5. Remove the pump housing including its holding ring, sealing and impeller unit.
 - Clean all components under running water using a soft brush, replace damage parts.
 6. Reassemble the unit in the reverse order.
 - Place the pump cable into the cable opening of the bottom strainer casing such that the cable will not be crushed when closing the filter housing.

Storage/overwintering

The unit is not frost-proof and has to be removed and put into storage if minus temperatures are expected. How to correctly store the unit:

- Thoroughly clean the unit, check it for damage and replace any damaged parts.
- Protect electrical connections from moisture and dirt.
- Store the pump submerged and in a frost-free environment.
- Protect open plug connections from moisture and dirt.

Wear parts

- Impeller unit

Repair

A damaged unit cannot be repaired and must be put out of operation. Dispose of the unit in accordance with the regulations.

Disposal



NOTE

Do not dispose of this unit with domestic waste.

- Render the unit unusable beforehand by cutting the cables and dispose of the unit via the return system provided for this purpose.

Guarantee conditions

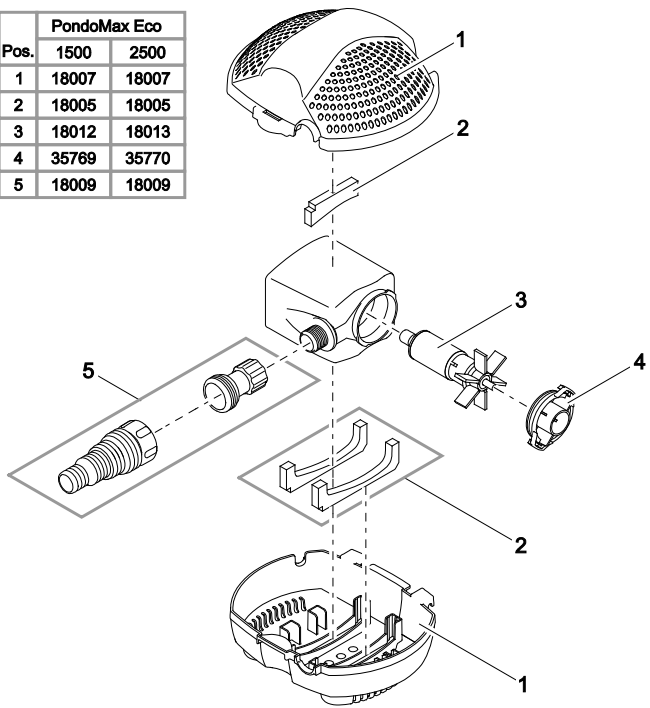
PfG grants a 3 year guarantee from the date of sale on proven material and manufacturing faults. Wear parts such as bulbs etc. are exempted from the guarantee. Prerequisite for our guarantee is the presentation of the purchase receipt. Our guarantee will become null and void if the unit is misused, electrically or mechanically damaged by inappropriate use and improper repair by non-authorised workshops. Repairs are reserved for workshops authorised by PfG or by PfG itself. In the case of warranty claims, please return the defective unit or part freight paid to PfG together with a description of the fault and the purchase receipt. PfG reserves the right to invoice repair costs. PfG is not liable for transport damage. Any damage must be claimed against the carrier. Further claims of whatever type, especially consequential damage, are excluded. This guarantee does not affect the final customer's claims against the dealer.

EN	Type	Mains voltage	Power consumption	Max. flow rate	Max. head height	Immersion depth	Water temperature
PondoMax Eco	1500	AC 220 ... 240 V, 50 Hz	25 W	≤1500 l/h	≤1.9 m	≤2 m	+4 ... +35 °C
	2500		40 W	≤2500 l/h	≤2.2 m	≤4 m	
	3500		40 W	≤3500 l/h	≤2.4 m	≤4 m	
	5000		60 W	≤5000 l/h	≤2.6 m	≤4 m	
	8000		70 W	≤8000 l/h	≤2.8 m	≤4 m	
	11000		95 W	≤10000 l/h	≤3.0 m	≤4 m	
	14000		140 W	≤13400 l/h	≤3.2 m	≤4 m	
	17000		180 W	≤17000 l/h	≤3.5 m	≤4 m	

EN	Type	Weight	Connection to the pump inlet	Connection to the pump outlet	Cable length
PondoMax Eco	1500	1.9 kg	25 mm	G1	10 m
	2500	2.2 kg	25 mm	G1½	10 m
	3500	3.1 kg	G1	G1½	10 m
	5000	3.4 kg	G1½	G1½	10 m
	8000	4.4 kg	G1½	G1½	10 m
	11000	4.4 kg	G1½	G1½	10 m
	14000	5.4 kg	G1½	G1½	10 m
	17000	5.4 kg	G1½	G1½	10 m

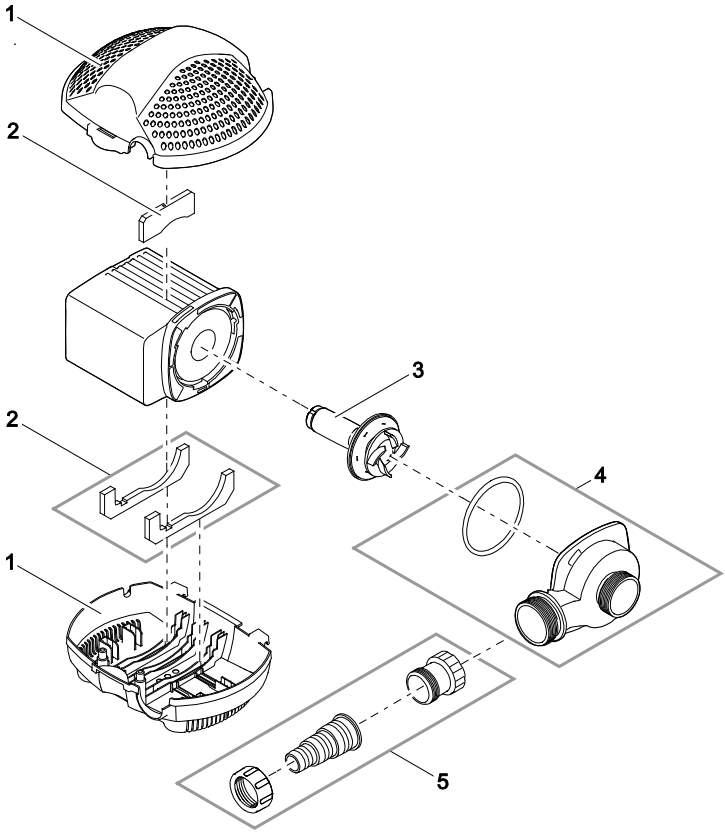
	<p>IP 68</p> <p>▽ 2 m</p> <p>PondoMax Eco 1500/2500</p>	<p>IP 68</p> <p>▽ 4 m</p> <p>PondoMax Eco 3500/5000/8000/11000/14000/17000</p>					
EN	Dust tight. Submersible to 2 m depth.	Dust tight. Submersible to 4 m depth.	Remove the unit at temperatures below zero (centigrade).	Possible hazard for persons wearing pace makers!	Protect from direct sun radiation.	Do not dispose of together with household waste!	Read the operating instructions

PondoMax Eco		
Pos.	1500	2500
1	18007	18007
2	18005	18005
3	18012	18013
4	35769	35770
5	18009	18009



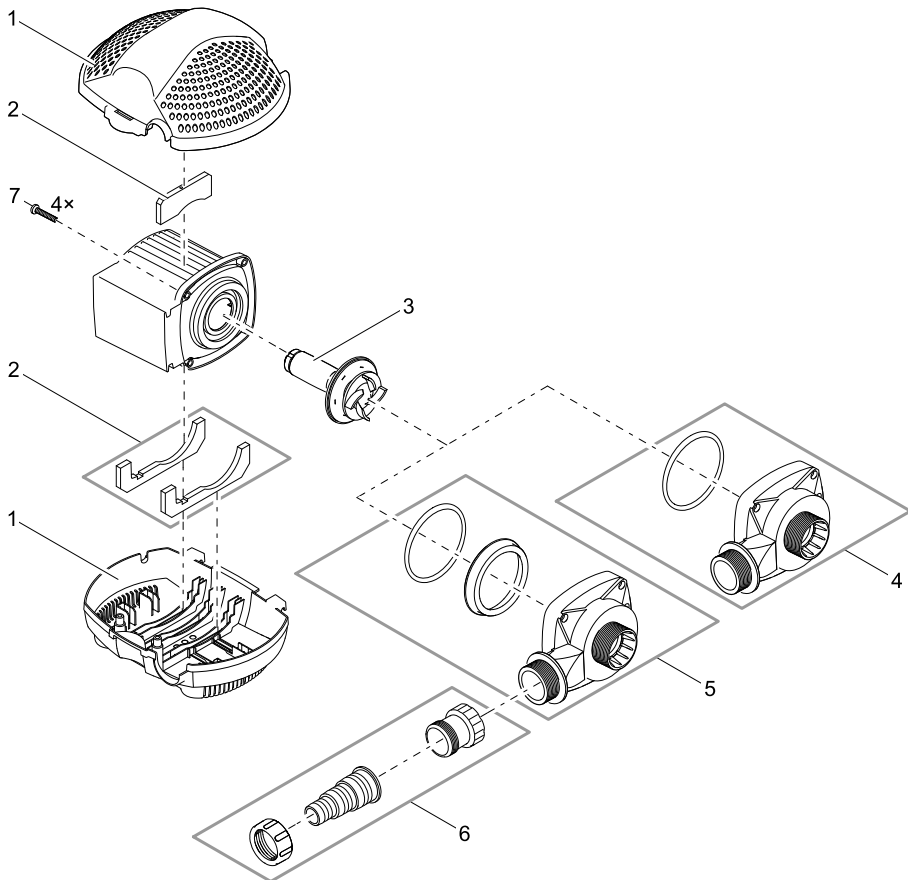
PMX0006

PondoMax Eco	
Pos.	3500
1	18008
2	71813
3	71789
4	71810
5	18010



PMX0014

Pos.	PondoMax Eco				
	5000	8000	11000	14000	17000
1	18008	18008	18008	18008	18008
2	18006	21729	21729	21554	21554
3	18014	18015	21544	21551	31113
4	11825	-	-	-	-
5	-	11824	21552	21553	31112
6	18010	18010	18010	18010	18010
7	17581	17581	17581	17581	17581



PMX0005



PfG GmbH
Tecklenburger Straße 161
D - 48477 Hörstel
Germany
www.pontec.com

CE