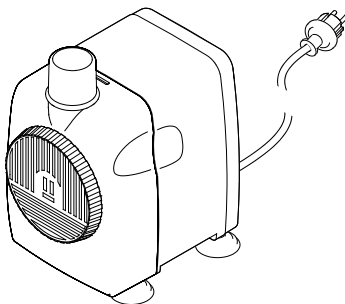


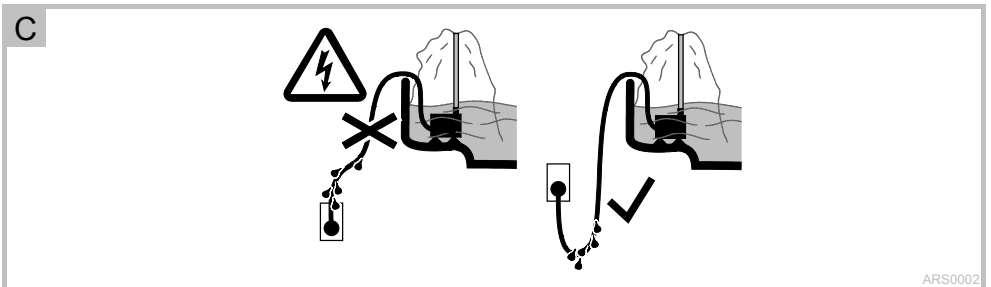
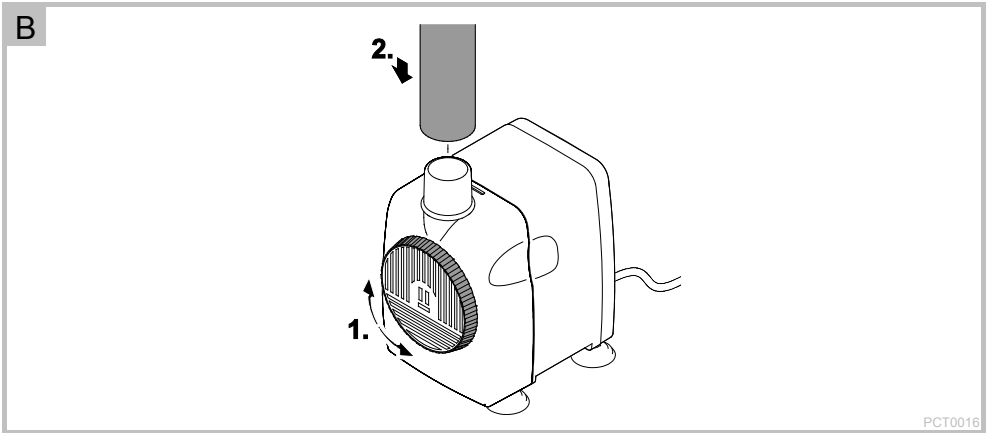
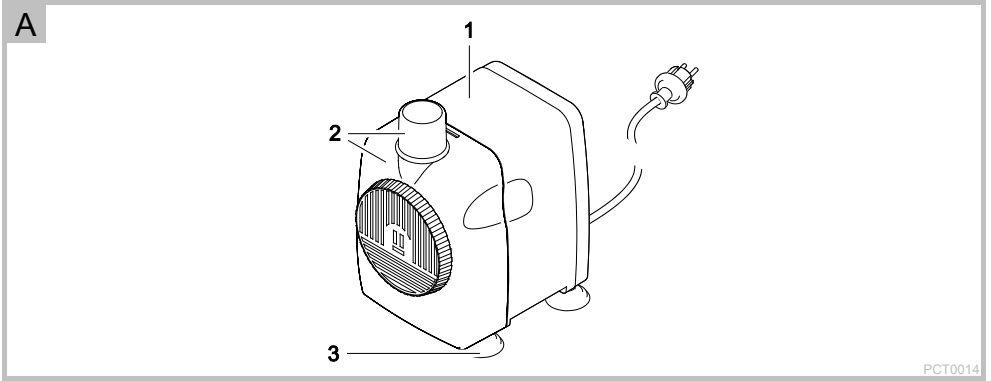


DE	Gebrauchsanleitung
EN	Operating instructions
FR	Notice d'emploi
NL	Gebruiksaanwijzing
ES	Instrucciones de uso
PT	Instruções de uso
IT	Istruzioni d'uso
DA	Brugsanvisning
NO	Bruksanvisning
SV	Bruksanvisning
FI	Käyttöohje
HU	Használati útmutató
PL	Instrukcja użytkowania
CS	Návod k použití
SK	Návod na použitie
SL	Navodila za uporabo
HR	Uputa o upotrebi
RO	Instrucțiuni de folosință
BG	Упътване за употреба
UK	Посібник з експлуатації
RU	Руководство по эксплуатации

PondoCompact

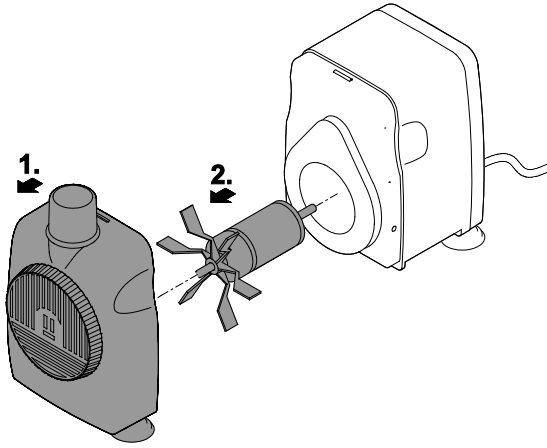
500i/800i/1200i/600/800/1200







D



PCT0015

Translation of the original Operating Instructions

Information about these operating instructions

You made a good choice with the purchase of this product **PondoCompact**.

Prior to commissioning the unit, please read the instructions of use carefully and fully familiarise yourself with the unit. Ensure that all work on and with this unit is only carried out in accordance with these instructions.

Adhere to the safety information for the correct and safe use of the unit.

Keep these instructions in a safe place! Please also hand over the instructions when passing the unit on to a new owner.

Symbols used in these instructions

The symbols used in this operating manual have the following meanings:



Risk of injury to persons due to dangerous electrical voltage

This symbol indicates an imminent danger, which can lead to death or severe injuries if the appropriate measures are not taken.



Risk of personal injury caused by a general source of danger

This symbol indicates an imminent danger, which can lead to death or severe injuries if the appropriate measures are not taken.



Important information for trouble-free operation.

A Reference to a figure, e.g. Fig. A.

→ Reference to another section.

Product Description

PondoCompact pumps are designed for water features.

- PondoCompact 500i: Suitable for indoor use, 13 mm (½ ") hose connection.
- PondoCompact 800i: Suitable for indoor use, 19 mm (¾ ") hose connection.
- PondoCompact 1200i: Suitable for indoor use, 19 mm (¾ ") hose connection.
- PondoCompact 600: Suitable for indoor and outdoor use, 13 mm (½ ") hose connection.
- PondoCompact 800: Suitable for indoor and outdoor use, 19 mm (¾ ") hose connection.
- PondoCompact 1200: Suitable for indoor and outdoor use, 19 mm (¾ ") hose connection.
- Simple regulation of the water volume.

Delivery scope and unit configuration

<input type="checkbox"/> A	PondoCompact			Description
	500i	600	800/800i/1200/1200i	
	Quantity	Quantity	Quantity	
1	1	1	1	Motor housing
2	1	1	–	Pump casing with 13 mm (½ ") outlet
	1	–	1	Pump casing with 19 mm (¾ ") outlet
3	2	4	4	Suction cups

Intended use

PondoCompact, referred to in the following as "unit", may only be used as specified in the following:

- For operation with clean water.
- Operation under observance of the technical data.

The following restrictions apply to the unit:

- Do not use in swimming ponds.
- Never use the unit to convey fluids other than water.
- Never run the unit without water.
- Do not use for commercial or industrial purposes.
- Do not use in conjunction with chemicals, foodstuff, easily flammable or explosive substances.
- Do not connect to the domestic water supply.

Safety information

Hazards to persons and assets may emanate from this unit if it is used in an improper manner or not in accordance with its intended use, or if the safety instructions are ignored.

This unit can be used by children aged 8 and above and by persons with reduced physical, sensory or mental capabilities or lack of experience and knowledge if they are supervised or have been instructed on how to use the unit in a safe way and they understand the hazards involved.

Do not allow children to play with the unit.

Only allow children to carry out cleaning and user maintenance under supervision.

Hazards encountered by the combination of water and electricity

- The combination of water and electricity can lead to death or severe injury from electrocution, if the unit is incorrectly connected or misused.
- Prior to reaching into the water, always switch off the mains voltage to all units used in the water.

Correct electrical installation

- Electrical installations must meet the national regulations and may only be carried out by a qualified electrician.
- A person is regarded as a qualified electrician if, due to his/her vocational education, knowledge and experience, he or she is capable of and authorised to judge and carry out the work commissioned to him/her. This also includes the recognition of possible hazards and the adherence to the pertinent regional and national standards, rules and regulations.
- The device may only be connected if the electrical data of the device and the power supply coincide. The device data is to be found on the device type plate, on the packaging or in this manual.
- For your own safety, please consult a qualified electrician.
- Ensure that the unit is fused for a rated fault current of max. 30 mA by means of a fault current protection device.
- Extension cables and power distributors (e.g. outlet strips) must be suitable for outdoor use (splash-proof).
- Protect the plug connections from moisture.
- Only plug the unit into a correctly fitted socket.

Safe operation

- Never operate the unit if either the electrical cables or the housing are defective!
- Do not carry or pull the unit by its electrical cable.
- Route cables/hoses such that they are protected from damage and do not present a tripping hazard.
- Only open the unit housing or its attendant components, when this is explicitly required in the operating instructions.
- Only carry out work on the unit that is described in this manual. If problems cannot be overcome, please contact an authorised customer service point or, when in doubt, the manufacturer.
- Only use original spare parts and accessories for the unit.
- Never carry out technical modifications to the unit.
- Power connection cables cannot be replaced. If a cable is damaged, dispose of the respective unit or components.
- Only operate the unit if no persons are in the water.
- Keep the socket and power plug dry.
- The impeller unit in the pump contains a magnet with a strong magnetic field that may affect the operation of pace-makers or implantable cardioverter defibrillators (ICDs). Always keep magnets at least 0.2 m away from implanted devices.

Installation and connection



Attention! Dangerous electrical voltage.

Possible consequences: Death or serious injuries due to operation of this unit in a swimming pond.

Protective measures:

- Do NOT use this unit in a swimming pond.
- Adhere to national and regional regulations.

How to proceed:

B

1. Set the flow rate:
 - Turning the socket clockwise: Increases the flow rate.
 - Turning the socket counterclockwise: Decreases the flow rate.

2. Fit the hose onto the outlet.

C

3. Install the pump fully submerged.
 - Ensure that the maximum permissible submersion depth of 1 m is not exceeded
 - Route the power cable so that it forms a loop below the power socket.

Commissioning/start-up



NEVER allow the pump to run dry!

Possible consequences: The pump will be destroyed.

Protective measures:

- Ensure that the pump is always fully submerged in the water.
 - Regularly check the water level.
- **Switching on:** Insert the power plug into the socket.
 - The unit switches on immediately.
 - **Switching off:** Disconnect the power plug.

Remedy of faults

Malfunction	Cause	Remedy
The unit does not start up	No mains voltage	Check the mains voltage
	Impeller unit blocked	Clean
Insufficient fountain height	Regulator closed too far	Adjust regulator
	Filter housing or impeller unit soiled, hose blocked	Clean
	Hose defective	Replace
	Hose kinked	Route hose in a straight line
	Impeller unit worn	Replace impeller unit
Only PondoCompact 1200i/1200: Unit switches off after a short running period	Filter clogged, unit switches off in the event of overload	Clean The unit will switch on again automatically as soon as it has cooled down
	Water temperature too high, unit switches off in the event of overload	Adhere to max. permissible water temperature (→ Technical Data) The unit will switch on again automatically as soon as it has cooled down

Maintenance and cleaning



Attention! Dangerous electrical voltage.

Possible consequences: Death or severe injury.

Protective measures:

- Electrical units and installations with a rated voltage of $U > 12 \text{ V AC}$ or $U > 30 \text{ V DC}$ located in the water: Isolate the units and installations (switch off and disconnect from the power supply) before reaching into the water.
- Isolate the unit before starting any work.
- Secure the unit to prevent unintentional switching on.

If necessary, clean the unit with clear water using a soft brush.

- Do not use aggressive cleaning agents or chemical solutions as they could attack the housing or impair the function of the unit.
- Recommended cleaning agent for removing stubborn limescale deposits:
 - Vinegar- and chlorine-free household cleaning agent.
- After cleaning, thoroughly rinse all parts in clean water.

Replacing the impeller unit

How to proceed:

D

1. Pull off the pump casing.
2. Pull the impeller unit out of the motor housing.
3. Assemble the pump in the reverse order.

Storage

Remove the unit at temperatures below zero degrees centigrade. Thoroughly clean and check the unit for damage.



Store the unit immersed in water or filled with water in a frost-free place. Do not flood the power plug!

Wear parts

The following components are wear parts and are excluded from the warranty:

- Impeller unit

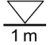




Disposal

Do not dispose of this unit with domestic waste! For disposal purposes, please use the return system provided. Render the unit unusable beforehand by cutting the cables.

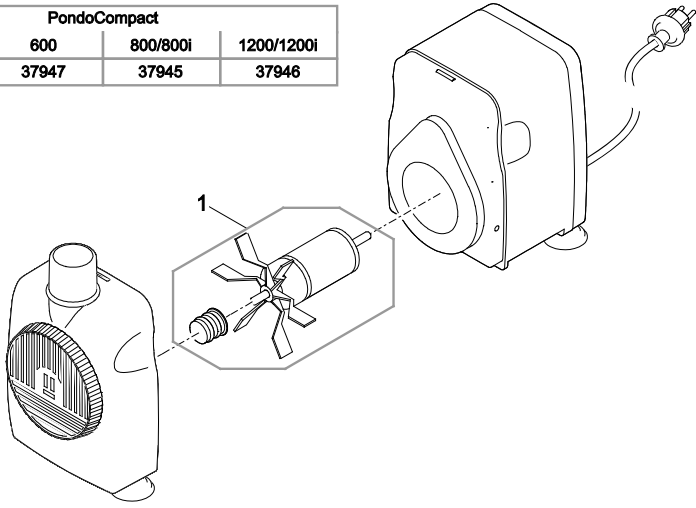
Guarantee conditions

PfG grants a 2 year guarantee from the date of sale on proven material and manufacturing faults. Prerequisite for our guarantee is the presentation of the purchase receipt. Our guarantee will become null and void if the unit is misused, electrically or mechanically damaged by inappropriate use and improper repair by non-authorized workshops. Repairs are reserved for workshops authorised by PfG or by PfG itself. In the case of warranty claims, please return the defective unit or part freight paid to PfG together with a description of the fault and the purchase receipt. PfG reserves the right to invoice repair costs. PfG is not liable for transport damage. Any damage must be claimed against the carrier. Further claims of whatever type, especially consequential damage, are excluded. This guarantee does not affect the final customer's claims against the dealer.

DE	Typ	Bemessungsspannung	Leistungsaufnahme	Förderleistung	Wassersäule	Tauchtiefe	Kabellänge	Abmessungen	Gewicht	Wassertemperatur
EN	Type	Rated voltage	Power consumption	Flow rate	Head height	Immersion depth	Cable length	Dimensions	Weight	Water temperature
FR	Type	Tension de mesure	Consommation	Capacité de refoulement	Colonne d'eau	Profondeur d'immersion	Longueur de câble	Dimensions	Poids	Température de l'eau
NL	Type	Dimensioneringsspanning	Stroomverbruik	Pompcapaciteit	Waterkolom	Dompeldiepte	Kabellengte	Afmetingen	Gewicht	Watertemperatuur
ES	Tipo	Tensión asignada	Consumo de potencia	Capacidad de elevación	Columna de agua	Profundidad de inmersión	Longitud del cable	Dimensiones	Peso	Temperatura del agua
PT	Tipo	Voltagem considerada	Consumo de potência	Débito	Coluna de água	Profundidade de imersão	Comprimento do cabo	Dimensões	Peso	Temperatura da água
IT	Tipo	Tensione nominale	Potenza assorbita	Portata	Colonna d'acqua	Profondità d'immersione	Lunghezza cavo	Dimensioni	Peso	Temperatura dell'acqua
DK	Type	Nominal spænding	Strømforbrug	Transportkapacitet	Vandsøjle	Bassindybde	Ledningslængde	Mål	Vægt	Vandtemperaturen
NO	Type	Merkespenning	Inngangseffekt	Kapasitet	Vann søyle	Nedsenkingsdybde	Kabellengde	Mål	Vekt	Vanntemperatur
SE	Typ	övre märkspänning	Effekt	Matningsprestanda	Vattenpelare	Doppningsdjup	Kabellängd	Mått	Vikt	Vattentemperatur
FI	Tyyppi	mitoitussännite	Ottoteho	Syöttöteho	Vesipylväs	Upotusvyvyys	Kaapelin pituus	Mitat	Paino	Veden lämpötila
HU	Típus	mért feszültség	Teljesítményfelvétel	Szállítási teljesítmény	Vízoszlop	Merülési mélység	Kábelhossz	Méreték	Súly	Víz hőmérséklet
PL	Typ	napięcie znamionowe	Pobór mocy	Wydajność pompowania	Stup wody	Głębokość zanurzenia	Długość kabla	Wymiary	Ciężar	Temperatura wody
CZ	Typ	domezovací napětí	Příkon	Dopravní výkon	Vodní sloupec	Hloubka ponoření	Délka kabelu	Rozměry	Hmotnost	Teplota vody
SK	Typ	dimenzačné napätie	Prikon	Dopravný výkon	Vodný stĺpec	Hĺbka ponorenia	Dĺžka kábla	Rozmery	Hmotnosť	Teplota vody
SI	Tip	dimenzionirana napetost	Nazivna moč	Črplana zmogljivost	Vodni steber	Potopna globina	Dolžina kabla	Dimenzije	Teža	Temperatura vode
HR	Tip	gornji nazivni napon	Prijemna snaga	Protočni kapacitet	Vodeni stup	Dubina uranjanja	Priključci	Dimenzije	Težina	Temperatura vode
RO	Tip	tensiunea măsurată	Putere consumată	Debit de pompare	Coloană de apă	Adâncime de imersie	Lungime cablu	Dimensiuni	Greutate	Temperatura apei
BG	Тип	номинално напрежение	Консумирана мощност	Дебит	Воден стълб	дълбочина на потапяне	Дължина на кабелите	Размери	Тегло	Температурата на водата
UA	Тип	розрахункова напруга	Споживана потужність	Продуктивність	Водяний стовп	Глибина занурення	Довжина кабелю	Розміри	Вага	Температура води
RU	Тип	расчетное напряжение	Потребляемая мощность	Производительность	Водяной столб	Глубина погружения	Длина кабеля	Размеры	Вес	Температура воды
Pondo Compact	500i	AC 230 V, 50 Hz	5 W	≤ 500 l/h	≤ 0.8 m	≤ 1 m	1.5 m	47 × 35 × 55 mm	0,2 kg	+4 ... +35 °C
	800i	AC 230 V, 50 Hz	20 W	≤ 750 l/h	≤ 1.5 m	≤ 1 m	1.5 m	75 × 55 × 90 mm	0,6 kg	+4 ... +35 °C
	1200i	AC 230 V, 50 Hz	25 W	≤ 1200 l/h	≤ 2.0 m	≤ 1 m	1.5 m	75 × 55 × 90 mm	0,8 kg	+4 ... +35 °C
	600	AC 230 V, 50 Hz	11 W	≤ 600 l/h	≤ 1.25 m	≤ 1 m	10 m	62 × 45 × 78 mm	1,0 kg	+4 ... +35 °C
	800	AC 230 V, 50 Hz	20 W	≤ 750 l/h	≤ 1.5 m	≤ 1 m	10 m	75 × 55 × 90 mm	1,2 kg	+4 ... +35 °C
	1200	AC 230 V, 50 Hz	25 W	≤ 1200 l/h	≤ 2.0 m	≤ 1 m	10 m	75 × 55 × 90 mm	1,2 kg	+4 ... +35 °C

	IP 68 				
DE	Staubdicht. Wasserdicht bis 1 m Tiefe.	Bei Frost das Gerät deinstallieren.	Mögliche Gefahren für Personen mit Herzschritt-machern!	Vor direkter Sonneneinstrahlung schützen.	Lesen Sie die Gebrauchsanleitung.
GB	Dust tight. Submersible to 1 m depth.	Remove the unit at temperatures below zero (centigrade).	Possible hazard for persons wearing pace makers!	Protect from direct sun radiation.	Read the operating instructions.
FR	Imperméable aux poussières. Étanche à l'eau jusqu'à une profondeur de 1 m.	Retirer l'appareil en cas de gel.	Dangers possibles pour des personnes ayant des stimulateurs cardiaques !	Protéger contre les rayons directs du soleil.	Lire la notice d'emploi.
NL	Stofdicht. Waterdicht tot een diepte van 1 m.	Bij vorst het apparaat deinstalleren.	Mogelijke gevaren voor mensen met een pacemaker!	Beschermen tegen direct zonlicht.	Lees de gebruiksaanwijzing.
ES	A prueba de polvo. Impermeable al agua hasta 1 m de profundidad.	Desinstale el equipo en caso de heladas.	Posibles peligros para las personas con marcapasos.	Protéjase contra la radiación directa del sol.	Lea las instrucciones de uso.
PT	À prova de pó. À prova de água até 1 m de profundidade.	Em caso de geada, desinstalar o aparelho.	Eventuais perigos para pessoas com pace-makers!	Proteger contra radiação solar directa.	Leia as instruções de utilização.
IT	A tenuta di polvere. Impermeabile all'acqua fino a 1 m di profondità.	In caso di gelo disinstallare l'apparecchio.	Possibili pericoli per persone con pacemaker!	Proteggere contro i raggi solari diretti.	Leggere le istruzioni d'uso!
DK	Støvtæt. Vandtæt ned til 1 m dybde.	Afmonter apparatet ved frostvejr.	Mulig fare for personer med pacemaker.	Beskyt mod direkte sollys.	Læs brugsanvisningen.
NO	Støvtett. Vanntett ned til 1 m dyp.	Ved frost, demonter apparatet.	Kan være farlig for personer med pacemaker!	Beskytt mot direkte sollys.	Les bruksanvisningen.
SE	Damtät. Vattentät till 1 m djup.	Demontera apparaten innan första frosten.	Möjlig risk för personer med pacemaker!	Skydda mot direkt solstrålning.	Läs igenom bruksanvisningen.
FI	Pölytiivis. Vesitiivis 1 m syvyteen asti	Laitte purettava ennen pakkasia.	Mahdollinen vaara sydämentahdistinta käytävälle henkilöille!	Suojattava suoralta auringonvalolta.	Lue käyttöohje.
HU	Portómitelt. Vizálló 1 m-es mélységig.	Fagy esetén a készüléket szerelje le.	A készülék veszélyes lehet szívritmus-szabályozóval rendelkező személyekre!	Óvja közvetlen napsugárzástól.	Olvassa el a használati útmutatót.
PL	Pyłoszczelny. Wodoszczelny do 1 m głębokości.	W razie mrozu zdeinstalować urządzenie.	Możliwość wystąpienia zagrożenia dla osób ze stymulatorami.	Chronić przed bezpośrednim nasłonecznieniem.	Przeczytać instrukcję użytkowania!
CZ	Prachotěsný. Vodotěsný do hloubky 1 m.	Při mrazu přístroj odinstalovat.	Možná nebezpečí pro osoby s kardiostimulátory!	Chránit před přímým slunečním zářením.	Přečtete Návod k použití!
SK	Prachotesný. Vodotesný do hĺbky 1 m.	Pri mraze prístroj odinštalovať.	Možné nebezpečenstvo pre osoby s kardiostimulátormi!	Chránit pred priamym slnečným žiarením.	Prečítajte si Návod na použitie.
SI	Ne prepušča prahu. Ne prepušča vode do globinen 1 m.	Ob zmrzali demontirajte napravo.	Obstaja nevarnost za ljudi s srčnim spodbujevalnikom!	Zaščitite pred neposrednimi sončnimi žarki.	Preberite navodila za uporabo!
HR	Ne propušta prašinu. Ne propušta vodu do 1 m dubine.	U slučaju mraza deinstalirajte uređaj.	Moguće opasnosti za nositelje elektrostimulatora!	Zaštite od izravno sunčevog zračenja.	Pročitajte upute za upotrebu!
RO	Etanș la praf. Etanș la apă, până la o adâncime de 1 m.	Dezinstalați aparatul pe timp de îngheț.	Posibile pericol pentru persoane cu bypass cardiac !	Protejați împotriva razelor directe ale soarelui.	Citiți instrucțiunile de utilizare !
BG	Защитено от прах. Водоустойчив до дълбочина 1 м.	При ниски температури и опасност от замръзване деинсталирайте уреда.	Възможен риск за хора с пейсмейкър!	Да се пазят от слънчеви лъчи.	Прочетете упътването.
UA	Пилонепроникний. Водонепроникний до 1 м.	Перед морозами пристрій необхідно демонтувати.	Небезпека для осіб з кардіостимулятором.	Пристрій повинен бути захищений від прямого сонячного випромінювання.	Читайте інструкцію.
RU	Пыленепрониц. Водонепрониц. на глубине до 1 м.	При наступлении морозов прибор демонтировать.	Возможная опасность для лиц с кардиостимулятором!	Защищать от прямого воздействия солнечных лучей.	Прочитайте инструкцию по использованию.

PondoCompact				
Pos.	500i	600	800/800i	1200/1200i
1	37940	37947	37945	37946



PCT0012



PfG GmbH
Tecklenburger Straße 161
D - 48469 Hörstel
Germany
www.pontec.com

CE

37619/04-16