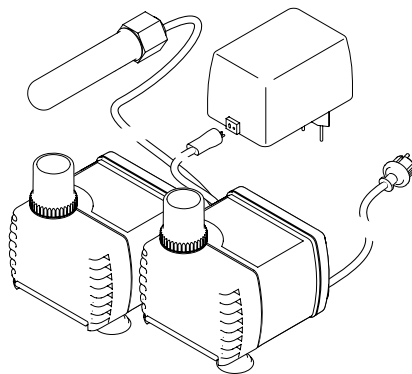


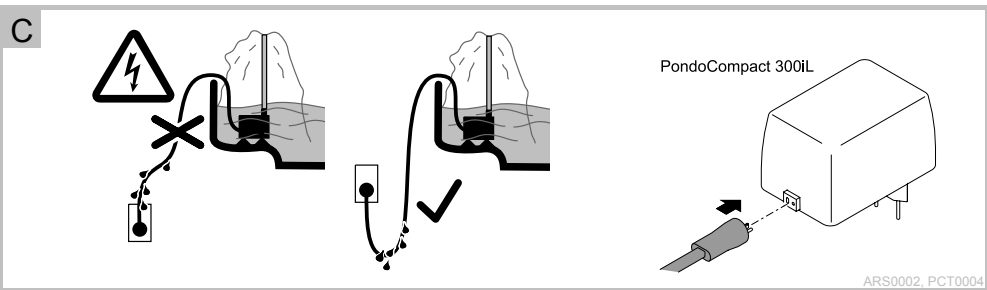
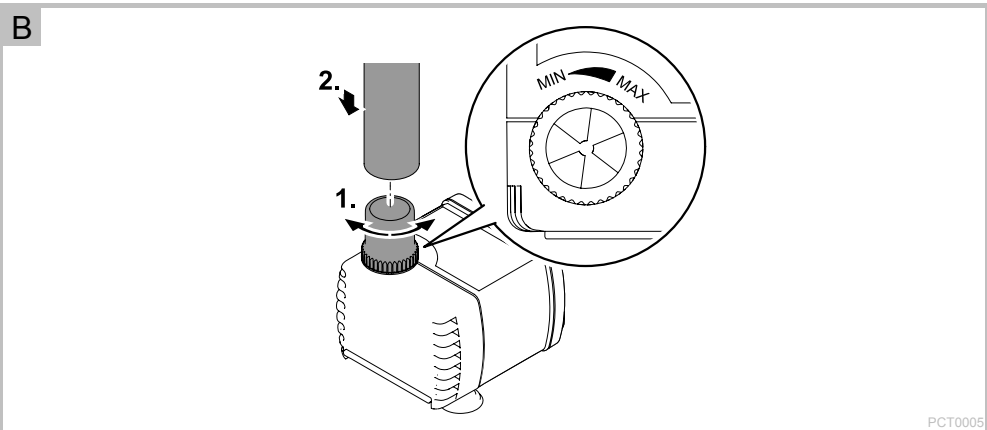
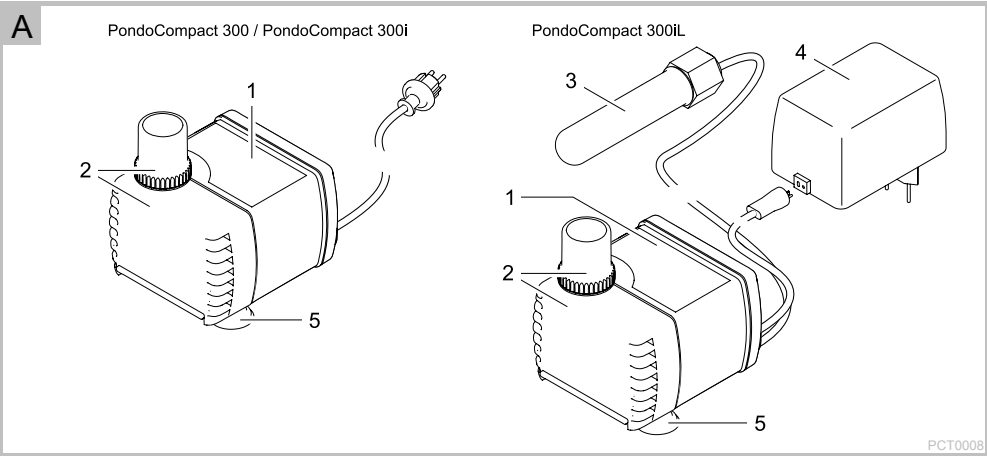


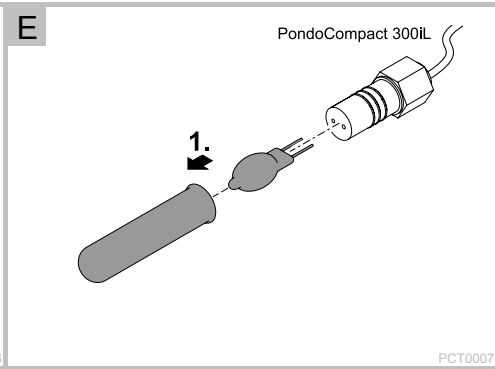
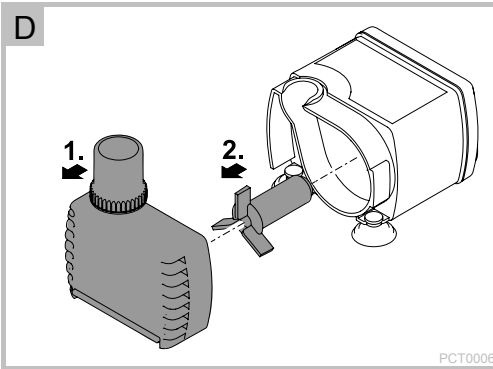
- DE Gebrauchsanleitung
- GB Operating instructions
- FR Notice d'emploi
- NL Gebruiksaanwijzing
- ES Instrucciones de uso
- PT Instruções de uso
- IT Istruzioni d'uso
- DK Brugsanvisning
- NO Bruksanvisning
- SE Bruksanvisning
- FI Käyttöohje
- HU Használati útmutató
- PL Instrukcja użytkowania
- CZ Návod k použití
- SK Návod na použitie
- SI Navodila za uporabo
- HR Uputa o upotrebi
- RO Instrucțiuni de folosință
- BG Упътване за употреба
- UA Посібник з експлуатації
- RU Руководство по эксплуатации

PondoCompact

300/300i/300iL







- GB -

Information about these operating instructions

You made a good choice with the purchase of this product **PondoCompact**.

Prior to commissioning the unit, please read the instructions of use carefully and fully familiarise yourself with the unit. Ensure that all work on and with this unit is only carried out in accordance with these instructions.

Adhere to the safety information for the correct and safe use of the unit.

Keep these instructions in a safe place! Please also hand over the instructions when passing the unit on to a new owner.

Symbols used in these instructions

The symbols used in this operating manual have the following meanings:



Risk of injury to persons due to dangerous electrical voltage

This symbol indicates an imminent danger, which can lead to death or severe injuries if the appropriate measures are not taken.



Risk of personal injury caused by a general source of danger

This symbol indicates an imminent danger, which can lead to death or severe injuries if the appropriate measures are not taken.



Important information for trouble-free operation.

A Reference to one or more figures. In this example: Reference to Fig. A.

→ Reference to another section.

Product Description

PondoCompact pumps are designed for water features.

- PondoCompact 300i: Suitable for indoor use.
- PondoCompact 300iL: Suitable for indoor use, with integrated lighting.
- PondoCompact 300: Suitable for indoor and outdoor use.
- Simple regulation of the water volume.
- 13 mm (½ ") hose connection.

Delivery scope and unit configuration

<input type="checkbox"/> A	PondoCompact		Description
	300/300i	300iL	
	Quantity	Quantity	
1	1	1	Motor housing
2	1	1	Pump casing with outlet
3	–	1	Halogen lamp
4	–	1	Plug-in transformer
5	2	2	Suction cups

Intended use

PondoCompact, referred to in the following as "unit", may only be used as specified in the following:

- For operation with clean water.
- Operation under observance of the technical data.

The following restrictions apply to the unit:

- Do not use in swimming ponds.
- Never use the unit to convey fluids other than water.
- Never run the unit without water.
- Do not use for commercial or industrial purposes.
- Do not use in conjunction with chemicals, foodstuff, easily flammable or explosive substances.
- Do not connect to the domestic water supply.

Safety information

Hazards to persons and assets may emanate from this unit if it is used in an improper manner or not in accordance with its intended use, or if the safety instructions are ignored.

This unit can be used by children from the age of 8 and by persons with physical, sensory or mental impairments or lack of experience and knowledge, as long as they are supervised or instructed on how to use the unit safely and are able to understand the potential hazards. Do not allow children to play with the unit. Do not allow children to clean or maintain the unit without close supervision.

Hazards encountered by the combination of water and electricity

- The combination of water and electricity can lead to death or severe injury from electrocution, if the unit is incorrectly connected or misused.
- Prior to reaching into the water, always switch off the mains voltage to all units used in the water.

Correct electrical installation

- Electrical installations must meet the national regulations and may only be carried out by a qualified electrician.
- A person is regarded as a qualified electrician, if, due to his/her vocational education, knowledge and experience, he or she is capable of and authorised to judge and carry out the work commissioned to him/her. This also includes the recognition of possible hazards and the adherence to the pertinent regional and national standards, rules and regulations.
- For your own safety, please consult a qualified electrician.
- The unit may only be connected when the electrical data of the unit and the power supply coincide. The unit data is to be found on the unit type plate or on the packaging, or in this manual.
- Ensure that the unit is fused for a rated fault current of max. 30 mA by means of a fault current protection device.
- Extension cables and power distributors (e. g. outlet strips) must be suitable for outdoor use.
- Ensure that the power connection cable cross section is not smaller than that of the rubber sheath with the identification H05RN-F. Extension cables must meet DIN VDE 0620.
- Protect the plug connections from moisture.
- Only plug the unit into a correctly fitted socket.

Safe operation

- Never operate the unit if either the electrical cables or the housing are defective!
- Do not carry or pull the unit by its electrical cable.
- Route cords/hoses/lines in a way that they are protected against damage, and ensure that they do not present a tripping obstacle.
- Only open the unit housing or its attendant components, when this is explicitly required in the operating instructions.
- Only execute work on the unit that is described in this manual. If problems cannot be overcome, please contact an authorised customer service point or, when in doubt, the manufacturer.
- Only use original spare parts and accessories for the unit.
- Never carry out technical modifications to the unit.
- The power connection cables cannot be replaced. When the cable is damaged, the unit or the component needs to be disposed of.
- Only operate the unit if no persons are in the water!
- Keep the socket and power plug dry.

Important! The unit is equipped with a permanent magnet. The magnetic field may affect the function of pacemakers.

- GB -

Installation and connection



Attention! Dangerous electrical voltage.

Possible consequences: Death or serious injuries due to operation of this unit in a swimming pond.

Protective measures:

- Do NOT use this unit in a swimming pond.
- Adhere to national and regional regulations.

How to proceed:

B

1. Set the flow rate:

- Turning the socket clockwise: Increases the flow rate.
- Turning the socket counterclockwise: Decreases the flow rate.

2. Fit the hose onto the outlet.

C

3. Install the pump fully submerged.

- Ensure that the maximum permissible submersion depth of 1 m is not exceeded
- Route the power cable so that it forms a loop below the power socket.

4. PondoCompact 300iL: Die Anschlussleitung der Pumpe mit dem Steckertrafo verbinden.

Start-up



NEVER allow the pump to run dry!

Possible consequences: The pump will be destroyed.

Protective measures:

- Ensure that the pump is always fully submerged in the water.
- Regularly check the water level.
- **Switching on:** Insert the power plug into the socket.
 - The unit switches on immediately.
- **Switching off:** Disconnect the power plug.

Remedy of faults

Malfunction	Cause	Remedy
The unit does not start up	No mains voltage	Check the mains voltage
	Impeller unit blocked	Clean
Insufficient fountain height	Regulator closed too far	Adjust regulator
	Pump casing or impeller unit soiled, hose blocked	Clean
	Hose defective	Replace
	Hose kinked	Route hose in a straight line
	Impeller unit worn	Replace impeller unit

Maintenance and cleaning



Attention! Dangerous electrical voltage.

Possible consequences: Death or severe injury.

Protective measures:

- Electrical units and installations with a rated voltage of $U > 12 \text{ V AC}$ or $U > 30 \text{ V DC}$ located in the water: Isolate the units and installations (switch off and disconnect from the power supply) before reaching into the water.
- Isolate the unit before starting any work.
- Secure the unit to prevent unintentional switching on.

If necessary, clean the unit with clear water using a soft brush.

- Never use aggressive cleaning agents or chemical solutions. These could attack the housing surface or impair the function.
- In the event of stubborn furring (calcium deposits), a common household cleaner free from vinegar and chlorine can be used. Subsequently, clean the pump thoroughly using clear water.

Replacing impeller unit

How to proceed:

D

1. Pull off the pump casing.
2. Pull the impeller unit out of the motor housing.
3. Assemble the pump in the reverse order.

Replacing the bulb

PondoCompact 300iL is equipped with integrated lighting.

How to proceed:

E

1. Carefully pull the glass tube from the lamp socket.
2. Pull the defective bulb out of the lamp socket and fit a new bulb.
 - Only use approved bulbs: → Technical Data
 - Do not touch the bulb with your fingers, use a cloth.
3. Fit the glass tube onto the lamp socket.
 - Ensure that the O rings at the lamp socket are clean and undamaged.

Storage

Remove the unit at temperatures below zero degrees centigrade. Thoroughly clean and check the unit for damage.



Store the unit immersed in water or filled with water in a frost-free place. Do not flood the power plug!

Wear parts

The following components are wear parts and are excluded from the warranty:

- Impeller unit
- Bulb






Disposal

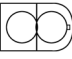

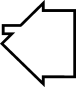
Do not dispose of this unit with domestic waste! For disposal purposes, please use the return system provided. Render the unit unusable beforehand by cutting the cables.

Guarantee conditions

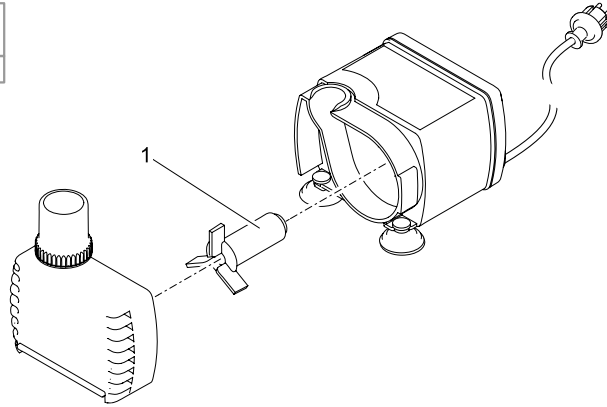
PfG grants a 2 year guarantee from the date of sale on proven material and manufacturing faults. Prerequisite for our guarantee is the presentation of the purchase receipt. Our guarantee will become null and void if the unit is misused, electrically or mechanically damaged by inappropriate use and improper repair by non-authorized workshops. Repairs are reserved for workshops authorised by PfG or by PfG itself. In the case of warranty claims, please return the defective unit or part freight paid to PfG together with a description of the fault and the purchase receipt. PfG reserves the right to invoice repair costs. PfG is not liable for transport damage. Any damage must be claimed against the carrier. Further claims of whatever type, especially consequential damage, are excluded. This guarantee does not affect the final customer's claims against the dealer.

DE	Type	Bemessungsspannung	Leistungsaufnahme	Förderleistung	Wassersäule	Tauchtiefe	Kabellänge	Leuchtmittel	Abmessungen	Gewicht	Wassertemperatur
EN	Type	Rated voltage	Power consumption	Flow rate	Head height	Immersion depth	Cable length	Bulbs	Dimensions	Weight	Water temperature
FR	Type	Tension de mesure	Consommation	Capacité de remplissage	Colonne d'eau	Profondeur d'immersion	Longueur de câble	Ampoule	Dimensions	Poids	Température de l'eau
NL	Type	Dimensions	Stroomverbruik	Pompecapaciteit	Waterkolom	Dompdiepte	Kabel Lengte	Lamp	Afmetingen	Gewicht	Wassertemperatuur
ES	Tipo	Tensión asignada	Consumo de potencia	Capacidad de elevación	Columna de agua	Profundidad de inmersión	Longitud del cable	Bombilla	Dimensiones	Peso	Temperatura del agua
PT	Tipo	Voltagem considerada	Consumo de potencia	Debitó	Coluna de água	Profundidade de imersão	Comprimento do cabo	Lâmpada	Dimensões	Peso	Temperatura da água
IT	Tipo	Tensione nominale	Potenza assorbita	Portata	Colonna d'acqua	Profondità d'immersione	Lunghezza cavo	Corpo luminoso	Dimensioni	Peso	Temperatura dell'acqua
DK	Type	Nominal spending	Strømforbrug	Transportkapacitet	Vandsøjle	Bassinddybde	Ledningslængde	Lysmiddel	Mål	Vægt	Vandtemperaturen
NO	Type	Merkespenning	Inngangseffekt	Kapasitet	Vannøyse	Nedsenkningsdybde	Kabel lengde	Lyselament	Mål	Vekt	Vanntemperatur
SE	Type	övre märkspänning	Effekt	Mätningstillstånd	Vattenpelare	Doppningsdjup	Kabellängd	Ljuskälla	Mått	Vikt	Vatten temperatur
FI	Tyyppi	mitoitussännite	Outolehto	Syöttölehto	Vesipylväs	Upotussyvyyks	Kaapelin pituus	Lamppu	Mitat	Paino	Veden lämpötila
HU	Típus	mért feszültség	Teljesítményfelvétel	Szállítási teljesítmény	Vízoszlop	Mérlési mélység	Kábelhossz	Izzó	Méreték	Súly	Víz hőmérséklet
PL	Type	napięcie znamionowe	Pobór mocy	Wydajność	Slup wody	Głębokość zanurzenia	Długość kabla	Żarówka	Wymiary	Ciężar	Temperatura wody
CZ	Type	domezovací napětí	Příkon	Dopravní výkon	Vodní sloupec	Hlubka ponoření	Delka kabelu	Žárovka	Rozměry	Hmotnost	Teplota vody
SK	Type	dimenzačné napätie	Prikon	Dopravný výkon	Vodný slupec	Hĺbka ponorenia	Dĺžka kábla	Žiarovka	Rozmery	Hmotnosť	Teplota vody
SI	Tip	dimenzionirana napetost	Nazivna moč	Črpljena moč	Vodni stebel	Potopna globina	Dolžina kabla	Žarnica	Dimenzije	Teža	Temperatura vode
HR	Tip	gornji nazivni napon	Prijemna snaga	Protokni kapacitet	Vodeni stup	Dubina uranjanja	Priključci	Žarulja	Dimenzije	Težina	Temperatura vode
RO	Tip	tensiunea măsurată	Putere consumată	Debit de pompare	Coloană de apă	Adâncime de imersie	Lungime cablu	Lampă	Dimensiuni	Greutate	Temperatura apei
BG	Тип	номинално напрежение	Разчетно напрежение	Дебит	Воден стълб	Дълбочина на потапане	Дължина на кабелите	Осветително тяло	Размери	Тегло	Температурата на водата
UA	Тип	розрахункова напруга	Споживана потужність	Продуктивність	Водяний стовп	Глибина занурення	Довжина кабелю	Лампочка	Розміри	Вага	Температура води
RU	Тип	расчётное напряжение	Потребляемая мощность	Производительность	Водяной столб	Глубина погружения	Длина кабеля	Лампа	Размеры	Вес	Температура воды
300I		AC 230 V, 50 Hz	5 W	≤ 300 l/h	≤ 0.7 m	≤ 1 m	1.5 m	–	–	0.25 kg	+4 ... +35 °C
300II		AC 230 V, 50 Hz	5 W	≤ 300 l/h	≤ 0.7 m	≤ 1 m	1.5 m	12 V, 7 W G4	–	0.70 kg	+4 ... +35 °C
300		AC 230 V, 50 Hz	5 W	≤ 300 l/h	≤ 0.7 m	≤ 1 m	10 m	–	–	1.0 kg	+4 ... +35 °C

	IP 68 				
DE	Staubdicht. Wasserdicht bis 1 m Tiefe.	Bei Frost das Gerät deinstallieren.	Mögliche Gefahren für Personen mit Herzschrittmachern!	Vor direkter Sonneneinstrahlung schützen.	Lesen Sie die Gebrauchsanleitung.
GB	Dust tight. Submersible to 1 m depth.	Remove the unit at temperatures below zero (centigrade).	Possible hazard for persons wearing pace makers!	Protect from direct sun radiation.	Read the operating instructions.
FR	Imperméable aux poussières. Étanche à l'eau jusqu'à une profondeur de 1 m.	Retirer l'appareil en cas de gel.	Dangers possibles pour des personnes ayant des stimulateurs cardiaques !	Protéger contre les rayons directs du soleil.	Lire la notice d'emploi.
NL	Stofdicht. Waterdicht tot een diepte van 1 m.	Bij vorst het apparaat deinstalleren.	Mogelijke gevaren voor mensen met een pacemaker!	Beschermen tegen direct zonlicht.	Lees de gebruiksaanwijzing.
ES	A prueba de polvo. Impermeable al agua hasta 1 m de profundidad.	Desinstale el equipo en caso de heladas.	Posibles peligros para las personas con marcapasos.	Protéjase contra la radiación directa del sol.	Lea las instrucciones de uso.
PT	A prova de pó. À prova de água até 1 m de profundidade.	Em caso de geada, desinstalar o aparelho.	Eventuais perigos para pessoas com marcapasos.	Proteger contra radiação solar directa.	Leia as instruções de utilização.
IT	A tenuta di polvere. Impermeabile all'acqua fino a 1 m di profondità.	In caso di gelo disinstallare l'apparecchio.	Possibili pericoli per persone con pacemaker!	Proteggere contro i raggi solari diretti.	Leggere le istruzioni d'uso!
DK	Støvætæt. Vandtæt ned til 1 m dybde.	Afmønter apparatet ved frostvæjr.	Mulig fare for personer med pacemaker.	Beskyt mod direkte sollys.	Læs brugsanvisningen.
NO	Støvettett. Vanntett ned til 1 m dyp.	Ved frost, demonter apparatet.	Kan være farlig for personer med pacemaker!	Beskyt mot direkte sollys.	Les bruksanvisningen.
SE	Dammtät. Vattentät till 1 m djup.	Demontera apparaten innan första frosten.	Möjlig risk för personer med pacemaker!	Skydda mot direkt solstrålning.	Läs igenom bruksanvisningen.
FI	Pölytiivis. Vesi tiivis 1 m syvyteen asti.	Laitte purettava ennen pakkasia.	Mahdollinen vaara sydämentahdistinta käyttäjälle henkikiilliel!	Suojattava suoralla auringonvalolla.	Lue käyttöohje.
HU	Portómtétt. Vízálló 1 m-es mélységig.	Fagy esetén a készüléket szerezje le.	A készülék veszélyes lehet szívritmus-szabályozóval rendelkező személyekre!	Óvja közvetlen napsugárzástól.	Olvassa el a használati útmutatót.
PL	Pyłoszczelny. Wodoszczelny do 1 m głębokości.	W razie mrozu zdeinstalować urządzenie.	Mozliwość wystąpienia zagrożenia dla osób ze stymulatorami.	Chronić przed bezpośrednim nasłonecznieniem.	Przeczytać instrukcję użytkowania!
CZ	Prachotěsný. Vodotěsný do hloubky 1 m.	Při mrazu přístroj odinstalovat.	Možná nebezpečí pro osoby s kardiosimulátory!	Chránit před přímým slunečním zářením.	Přečtete Návod k použití!
SK	Prachotesný. Vodotesný do hĺbky 1 m.	Pri mraze prístroj odinštalovať.	Možné nebezpečenstvo pre osoby s kardiosimulátormi!	Chránit pred priamym slnečným žiarením.	Přečítajte si Návod na použitie.
SI	Ne prepušča prahu. Ne prepušča vode do globine 1 m.	Ob zmrazili demontirajte napravo.	Obstaja nevarnost za ljudi s srčnim spodbujevalnikmi!	Zaščitite pred neposrednimi sončnimi žarki.	Preberite navodila za uporabo!
HR	Ne propušta prašinu. Ne propušta vodu do 1 m dubine.	U slučaju mraza deinstalirajte uređaj.	Moguće opasnosti za nositelje elektrostimulatore!	Zaštitite od izravno sunčevog zračenja.	Pročitajte upute za upotrebu!
RO	Etanș la praș. Etanș la apă, până la o adâncime de 1 m.	Dezinstalați aparatul pe timp de îngheț.	Posibile pericol pentru persoane cu bypass cardiac și cu pacemaker!	Protejați împotriva razelor directe ale soarelui.	Citiți instrucțiunile de utilizare !
BG	Защитено от прах. Водостойно до дълбочина 1 м.	При ниски температури и опасност от замръзване деинсталирайте уреда.	Възможна опасност за хора с пейсмейкери!	Да се пази от слънчеви лъчи.	Прочетете упътването.
UA	Пилонепронийний. Водонепронийний до 1 м.	Перед морозами пристрій необхідно демонтувати.	Небезпека для осіб з кардіостимулятором.	Пристрій повинен бути захищений від прямого сонячного випромінювання.	Читайте інструкцію.
RU	Пыленепрониц. Водонепрониц. на глубине до 1 м.	При наступлении морозов прибор демонтировать.	Возможная опасность для лиц с кардиостимулятором!	Защищать от прямого воздействия солнечных лучей.	Прочитайте инструкцию по использованию.

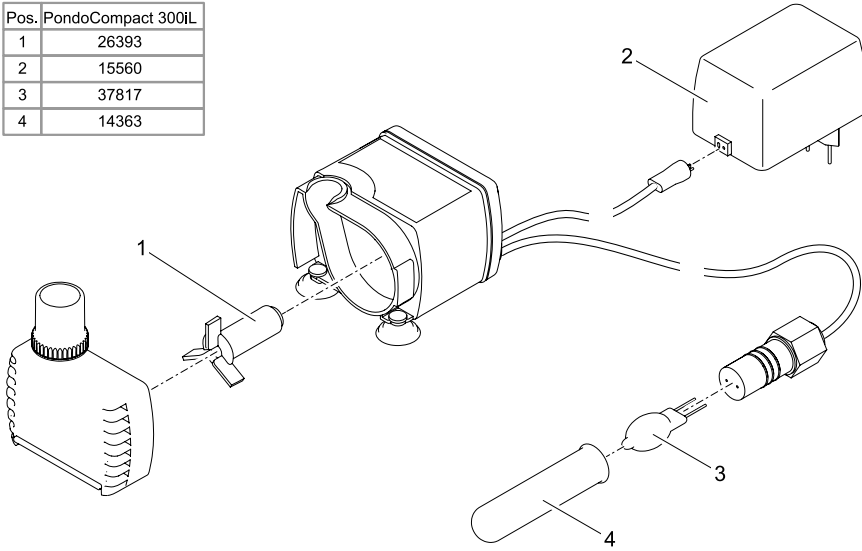
	IP 20			
DE	Schutz gegen das Berühren von gefährlichen Teilen. Kein Schutz gegen Eindringen von Wasser.	Sicherheitstransformator	Schutzklasse II, Schutzisolierung, die im Fehlerfall Spannung führen kann	Im Inneneinsatz verwenden.
GB	Protection to prevent contact with dangerous components. No protection against the ingress of water.	Safety transformer	Protection class II, protection insulation which could become live in the event of a fault.	For indoor use.
FR	Protection contre le contact avec des pièces dangereuses. Pas de protection contre l'infiltration d'eau.	Transformateur de sécurité	Classe de protection II, double isolation risquant de conduire une tension électrique en cas de défaut.	Pour utilisation à l'intérieur.
NL	Beveiliging tegen het aantreken van gevaarlijke delen. Niet beveiligd tegen binnendringend water.	Veiligheidstransformator	Beschermingsklasse II, randaarding, die bij defecten spanning kan geleiden.	In interne in zekstok gebruiken.
ES	Protección contra contacto con las partes peligrosas. Ninguna protección contra la entrada de agua.	Transformador de seguridad	Clase de protección II, aislamiento de protección que en caso de defecto pueden conducir tensión.	Para empleo interior.
PT	Proteção contra contacto com componentes perigosos. Sem protecção contra penetração de água.	Transformador de segurança	Classe de isolamento II, isolamento protector que em caso de defeito pode ser percorrido por tensão eléctrica	Utilizar em interiores.
IT	Protezione contro il contatto di componenti pericolosi. Nessuna protezione contro la penetrazione di acqua.	Trasformatore di sicurezza	Classe di protezione II, isolamento di protezione che in caso di difetto può condurre tensione	Utilizzare nell'inserimento interno
DK	Beskyttelse mod berøring af farlige dele. Ingen beskyttelse mod indtrængning af vand.	Sikkerhedstransformator	Beskyttelses-klasse II, beskyttelses-isolering, som i tilfælde af fejl kan lede spænding.	Anvendes indendørs.
NO	Beskyttelse mot berøring av farlige deler. Ingen beskyttelse mot vanninntrengning.	Sikkerhetstransformator	Beskyttelsesklasse II, dobbeltisolering som kan bli spenningsførende ved feil.	Bruk innendørs.
SE	Skydd mot beröring av farliga delar. Inget skydd mot inifrångande vatten.	Sakerhetstransformator	Kapslingsklass II, skyddsisolering som kan bli strömförande vid störningar	Ska användas inomhus.
FI	Vaarallisten osien kosketusuoja. Ei suojattu sisään pääsevästä vedestä.	Varmuusmuuntaja	Koteloitiluokka II, häiriötapaussissa mahdollisesti jännitteen suojajärjestys.	Sisäkäyttöön vaina käytettäväksi.
HU	Védőelem veszélyes alkatrészek megérintése ellen. Nincs védelem víz behatolása ellen.	Biztonsági transzformátor	II-es védőelemi osztály, védőszigetelés, mely hiba esetén feszültséget vezethet	Belső használatra.
PL	Zabezpieczenie przed dotknięciem niebezpiecznych części. Brak zabezpieczenia przed wnikaniem wody	Transformator zabezpieczający	Klasa ochrony II, izolacja ochronna, które w przypadku usterek mogą znajdować się pod napięciem	Do zastosowania we wnętrzu.
CZ	Ochrana proti dotyku nebezpečných částí. Bez ochrany proti vniknutí vody.	Bezpečnostní transformátor	Třída ochrany II, ochranná izolace, která v případě závady může vést napětí.	Používejte uvnitř.
SK	Ochrana proti dotyku nebezpečných častí. Nechránené proti vniknutiu vody	Bezpečnostný transformátor	Trieda ochrany II, ochranná izolácia, ktorá v prípade závady môže viesť napätie.	Používajte v interiéri.
SI	Zaščita pred stikom z nevarnimi deli. Brez zaščite pred vdorom vode.	Varnostni transformator	Zaščitni razred II, zaščitna izolacija, ki v primeru napake lahko prevaja napetost	Za notranjo uporabo.
HR	Zaštita od dodirivanja opasnih dijelova. Nema zaštite od prodiranja vode.	Sigurnosni transformator	Stupanj zaštite II, zaštitna izolacija, u slučaju greške može biti pod naponom	Upotrebljavajte u zatvorenom prostoru.
RO	Protecție împotriva atingerii componentelor periculoase. Nicio protecție împotriva pătrunderii apei.	Transformator de siguranță	Clasa de protecție II, izolație de protecție conductoare de tensiune în caz de erorare	Utilizați în interior.
BG	Защита срещу докосване на опасни части. Без защита срещу проникване на вода.	Предпазен трансформатор	Клас защита II, предпазна изолация, която в случай на нередност може да провежда напрежение	Използвайте на закрито.
UA	Захист від контакту з небезпечними деталями. Відсутній захист від потрапляння води.	Захисний трансформатор	Клас захисту II, захисна ізоляція яка у випадку аварії може проводити струм.	Використовувати всередині приміщень.
RU	Защита от прикосновения к опасным деталям. Нет защиты от проникновения воды.	Предохранительный трансформатор	Класс защиты II, защитная изоляция, которая при неисправности может стать токоведущей	Применять только внутри помещения.

	PondoCompact 300
Pos.	PondoCompact 300i
1	26393



PCT0009

Pos.	PondoCompact 300iL
1	26393
2	15560
3	37817
4	14363



PCT0010



PfG GmbH
Tecklenburger Straße 161
D - 48469 Hörstel
Germany
www.pontec.com

CE

37616/02-14