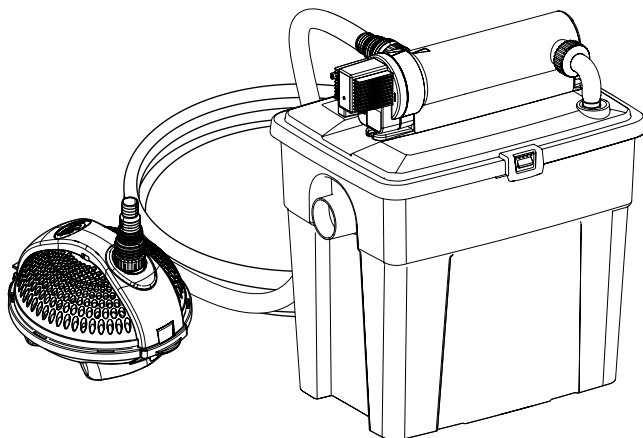


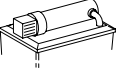








D	Gebrauchsanweisung
GB	Operating instructions
F	Notice d'emploi
NL	Gebruiksaanwijzing
E	Instrucciones de uso
P	Instruções de uso
I	Istruzioni per l'uso
DK	Brugsanvisning
N	Bruksanvisning
S	Bruksanvisning
FIN	Käyttöohje
H	Használati utasítás
PL	Instrukcja obsługi
CZ	Návod k použití
SK	Návod na použitie
SLO	Navodilo za uporabo
HR	Upute za upotrebu
RO	Instrucțiuni de utilizare
BG	Упътване за употреба
UA	Посібник з експлуатації
RUS	Руководство по эксплуатации
RC	使用手冊

# Multi Clear Set 5000/8000







CE



						
<b>Multi Clear Set 5000</b>	385 x 285 x 370 mm	AC 230 V, 50 Hz, 11 W	7 W TC-S(UV-C)	3 m	5000 l	2500 l
<b>Multi Clear Set 8000</b>	385 x 285 x 450 mm	AC 230 V, 50 Hz, 14 W	11 W TC-S(UV-C)		8000 l	4000 l

**IP 24**

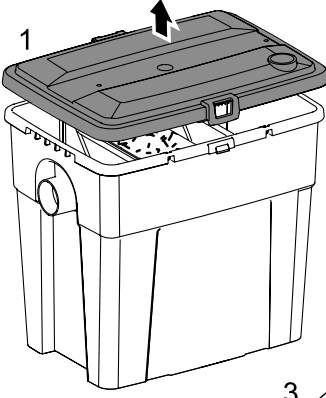


					
<b>PondoVario 1500</b>	180 x 125 x 85 mm	AC 220-240 V, 50 Hz, 25 W	1500 l/h	max. 1.90 m	10 m
<b>PondoVario 2500</b>	180 x 125 x 85 mm	AC 220-240 V, 50 Hz, 40 W	2500 l/h	max. 2.20 m	10 m

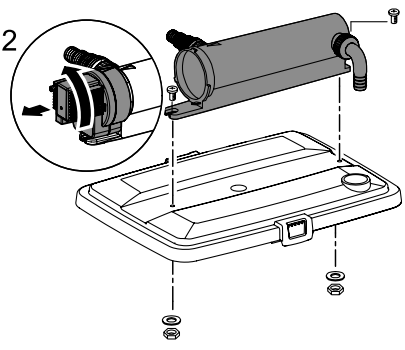
**IP 68** 



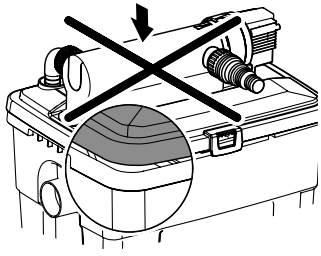
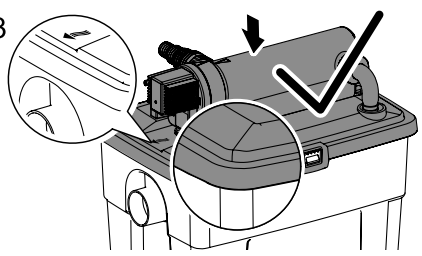
**A**



2

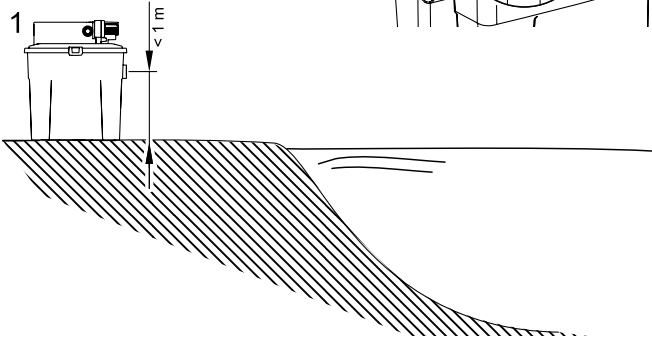


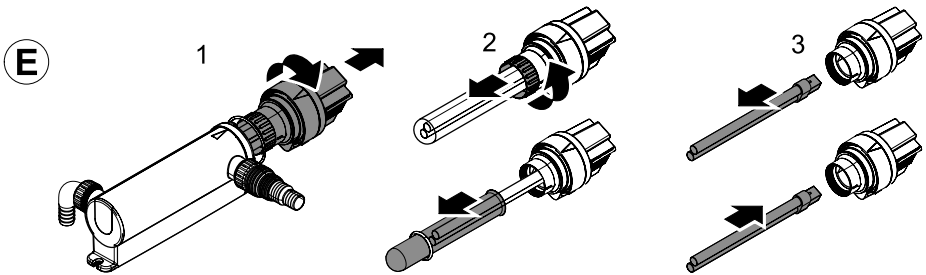
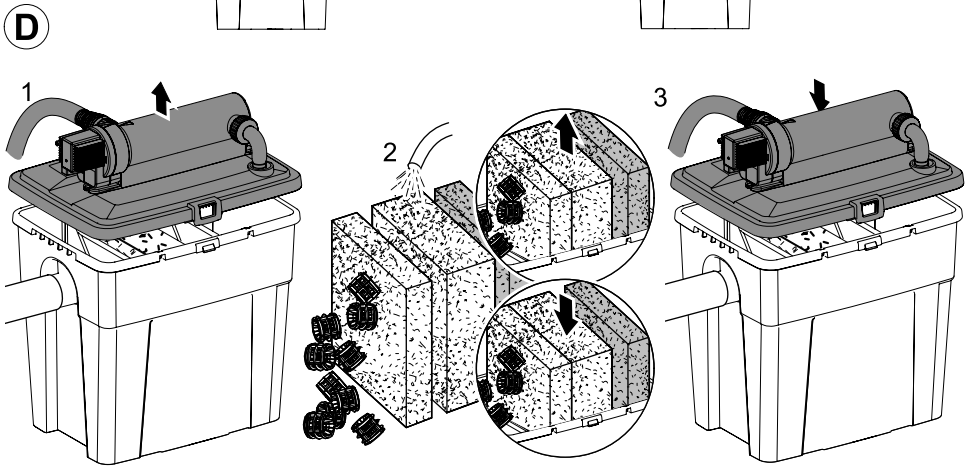
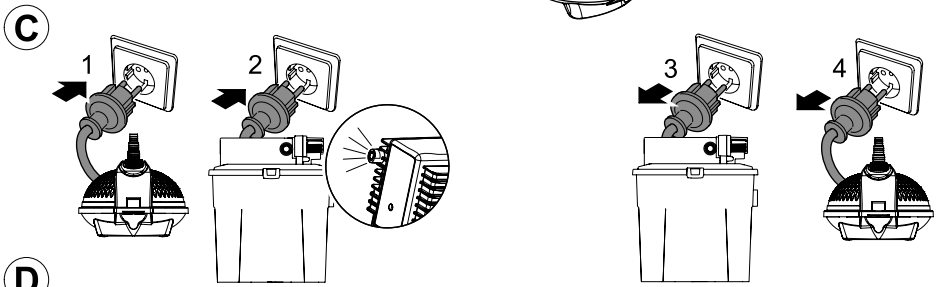
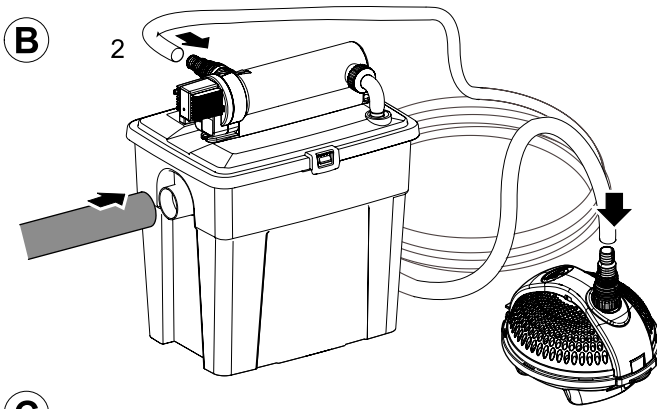
3



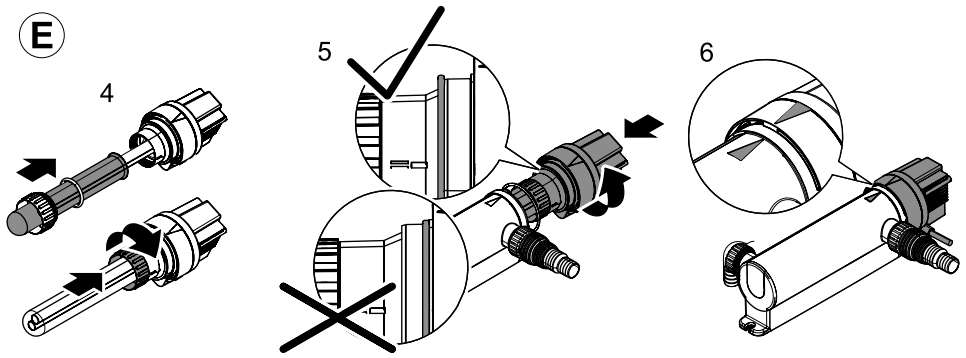
**B**

1

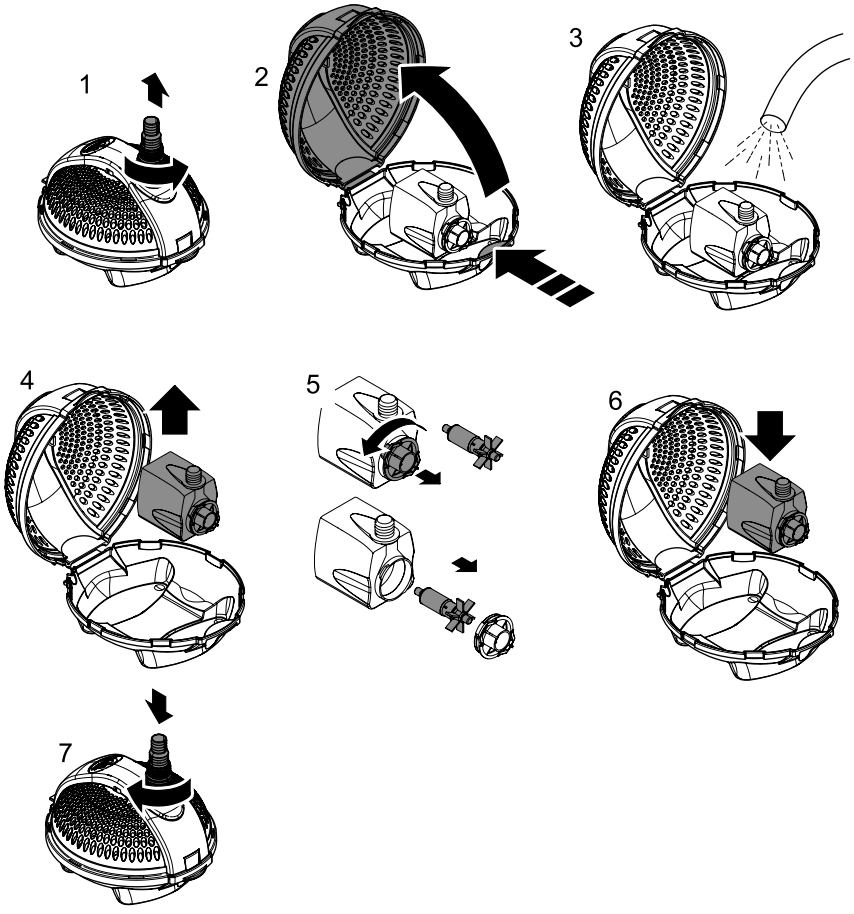




**E**



**F**



## Information about this operating manual

Please read the operating instructions and familiarise yourself with the unit prior to using it for the first time. Adhere to the safety information for the correct and safe use of the unit.

Please keep these operating instructions in a safe place! Also hand over the operating instructions when passing the unit on to a new owner. Ensure that all work with this unit is only carried out in accordance with these instructions.

## Scope of delivery

1 flow-through filter, 1 filter pump PondoVario 1500 or 2500, 1 hose (3 m), 1 UVC clarifying unit, 2 screws (M5 x 10 mm), 1 stepped hose adapter with sealing ring, 1 inlet bracket with sealing ring.

## Intended use

The Multi Clear Set 5000/8000 series, in the following text termed unit, is a flow-through filter system with integrated UVC clarifying unit for the bio-mechanical filtering of normal pond water at temperatures from +4°C to +35°C, and exclusively intended for private use to clean garden ponds with or without fish population. Only operate the flow-through filter with the external filter pump PondoVario 1500 or 2500, which is part of the scope of delivery.

## Use other than that intended

Danger to persons can emanate from this unit if it is not used in accordance with the intended use and in the case of misuse. If used for purposes other than that intended, our warranty and operating permit will become null and void.

## CE Manufacturer's Declaration

We declare conformity in the sense of the EC directive, EMC directive (89/336/EEC) as well as the low voltage directive (73/23/EEC). The following harmonised standards apply:

EN 55014-2, EN 55015, EN 60598-1, EN 60335-1, EN 60335-2-41, EN 60598-2-1, EN 61000-3-2, EN 61000-3-3, EN 61547

Signature: 

## Safety information

The company PFG has built this unit according to the state of the art and the valid safety regulations. Despite the above, hazards for persons and assets can emanate from this unit if it is used in an improper manner or not in accordance with its intended use, or if the safety instructions are ignored.

**For safety reasons, children and young persons under 16 years of age as well as persons who cannot recognise possible danger or who are not familiar with these operating instructions, are not permitted to use the unit.**

The combination of water and electricity can lead to danger to life and limb, if the unit is incorrectly connected or misused.

### Attention! Dangerous ultra-violet radiation.

The radiation of the UVC lamp is dangerous to eyes and skin! For this reason, the unit can only be switched on with the housing fitted (safety switch). Never operate the unit lamp outside of its housing. Never immerse the filter in water! Always disconnect the power supply of these and all other units located in water prior to performing work on the units! Only operate the units when plugged into an earthed socket. The latter must have been installed in accordance with the valid national regulations. Ensure that the protective earth wire is led to the unit. Only use cables approved for outside use. Never use installations, adapters, extension or connection cables without protective earth contact! The cross section of power connection cables must not be smaller than the rubber cables identified with H05 RN-F. Extension cables must meet DIN VDE 0620. Ensure that the units are supplied with a rated residual current of max. 30 mA via a residual current-operating system (FI or RCD resp.). Electrical installations at garden ponds and swimming pools must meet the international and national regulations valid for installers. Compare the electrical values of the power supply with those on the type plate on the packaging or on the units. Protect the connection cable when burying to avoid damage. Protect the plug connections and all connection points from moisture. Never operate the unit if the cable or housing are defective! Disconnect the power! The power connection cables of these units cannot be replaced. Replace the units (unit components) concerned if the cables are damaged. Do not carry or pull the units by their connection cables. Never open the unit housings or their attendant components, unless this is explicitly mentioned in the operating instructions. Never carry out technical changes to the units. Only use original spare parts and accessories for the units. Only allow authorised customer service outlets to perform repairs. For your own safety, consult a qualified electrician if you have questions or encounter problems! Do not operate the units if persons are in the water! Never run the units without water! Never use the pump for fluids other than water! Ensure that no leaks at the filter can occur. Danger of completely emptying the pond.

## Installation

### Installation of the UVC clarifying unit (A1-A3)

Lift the filter cover by pulling off the two cover lugs. Turn the unit head counter-clockwise against the stop, then carefully pull off. Push the two screws into the guides of the UVC housing and fit the filter lid. Turn one washer and one nut each against the screws from below. Screw the stepped hose adapter including sealing ring onto the UVC inlet. Screw the inlet bracket including sealing ring onto the UVC outlet.

### Fit a UVC lamp (E2-E6)

Unscrew the clamping screw from the UVC clarifying unit counter-clockwise, pull off the quartz glass including the O ring forward by slightly turning, insert UVC lamp, refit the O ring on the quartz glass and push the glass into the unit head through to the stop. Press the O ring into the gap between unit head and quartz glass. Screw in the clamping screw clockwise and manually tighten. Position the large O ring in front of the recess at the unit head. Carefully push the unit head into the housing while applying slight pressure. Ensure that the tenons at the housing engage in the grooves of the bayonet closure. Turn the unit head clockwise against the stop while applying slight pressure (the two arrows on the housing and the unit head meet). Note: If the unit head cannot be completely pushed on, check that the clamping screw is fully screwed in against the stop. Press the filter lid including the UVC clarifying unit onto the filter housing.

**Note: Because of a built in safety switch, the lamp will only light up when the installation of the UVC clarifying unit is completed.**

## Installation

### Install Filter (B1)

Position the flow-through filter at a place which cannot be flooded and as horizontal as possible at least 2 m from the pond edge on a firm and level ground above the pond water level. The outlet position must be a maximum of 1 m above the pond surface. Do not expose the unit to direct sunlight. Ensure unrestricted access to the cover to enable working on the unit. Place the unit in the pond horizontally on firm, sludge-free ground and ensure that it is completely covered with water at a maximum of 2 m below the surface of the water.

### Connect Inlet and Outlet (B2)

Connect the UVC inlet to the filter pump outlet using the enclosed hose. You may connect e.g. an HT tube (DN 50) or a 2" hose with a hose clip at the filter outlet.

**Attention! Never operate the unit without water flowing through!**

### Start-up (C)

Adhere to the safety information given above! Connect the filter pump power plug (C1) and wait until the flow-through filter is filled with water. Connect the power plug of the UVC lamp (C2), the blue control lamp is lit. Note: After a new installation, the unit only reaches its full biological cleaning effect after a few weeks. The full effect on bacteria is only reached as from an operating temperature of + 10°C. Note: In the event of overheating, the installed temperature monitor switches the UVC lamp off automatically, the lamp automatically switches on again once cooled down. Disconnect the power plug to switch the units off (C3, C4).

## Maintenance and cleaning

**Attention! Prior to starting cleaning and maintenance work, always disconnect the power plugs of the UVC pre-clarifying unit and of the filter pump (C3, C4)!**

Adhere to the safety information given above! Check and clean the water outlet into the pond at regular intervals. We recommend to clean the filters at regular intervals (e.g. every four weeks), however, at the latest when cloudy or dirty water from the water outlet returns to the garden pond. Never use chemical cleaning agents.

### Cleaning the filters (D)

Remove the filter lid including the UVC clarifying unit from the filter housing, remove the foam filters and clean them under running water by compressing them vigorously. Gently rinse the Matala mat and the bio surface elements with clean water (not under running water), lightly shake out. Completely empty the filter housing and clean under running water. Reassemble the filters in the reverse order, start the filter pump first (C1), then connect the power plug of the UVC pre-clarifying unit (C2).

### Clean the quartz tube of the UVC pre-clarifying unit (E)

Disconnect the power plug of the UVC pre-clarifying unit and of the filter pump (C3, C4) and protect from unintentional switching on again. Turn head of the UVC clarifying unit counter-clockwise against the stop and gently pull off, turn off the clamping screw of the UVC clarifying unit counter-clockwise, then pull the quartz glass including the O ring to the front with a slight turning motion, remove the O ring from the quartz glass, clean and check the O ring for damage. Clean the quartz glass outer face with a moist cloth and check for damage.

### Replacing the UVC lamp (E3)

Change the UVC lamp after approx. 8,000 operating hours. Pull out and replace the UVC lamp.

**Important! Only use lamps the designation and rating of which match the information on the type plate.**

Check components for damage and replace, if necessary. Check the O ring at the unit head for damage, then reassemble the UVC clarifying unit in the reverse order. Restart the filter pump first (C1), then connect the power plug of the UVC pre-clarifying unit (C2).

### Cleaning the filter pump (F)

Take pump out of the water, unscrew the stepped hose connection including the O ring from the connection thread, actuate the engagement hook of the filter housing, open the filter housing and remove the pump. Turn off the pump housing, remove the impeller. Clean the pump housing, the impeller and the filter housing using clear water and a brush. After cleaning, fit the unit in the reverse order.

### Storage/Over-wintering

Put the unit out of operation at water temperatures below 8 °C or, at the latest, when freezing temperatures are to be expected. Drain and thoroughly clean the flow-through filter, check for damage. Remove, clean, dry and store all filters in a frost-free environment. Store the filter pump submerged or filled in a frost-free environment. Do not immerse the plugs! Ensure that the storage place is inaccessible to children. Cover the filter container such that the ingress of rain water is excluded. Drain all hoses, pipes and connections as far as possible.

### Wearing parts

The UVC lamp, the quartz glass, the filters and the rotor are wear parts and are excluded from the warranty.

### Disposal

Dispose of the unit in accordance with the national legal regulations. The UVC lamp needs special disposal. Ask your specialist dealer.

### Malfunctions

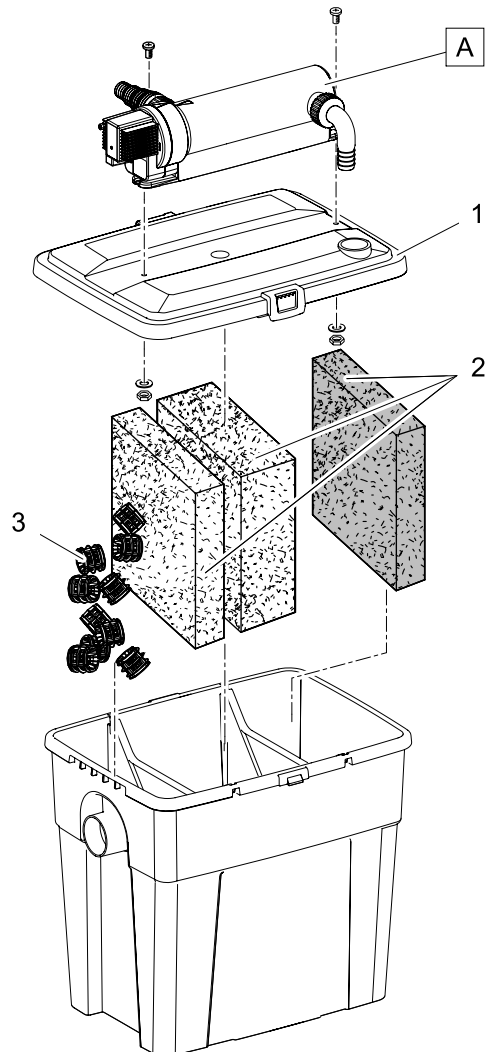
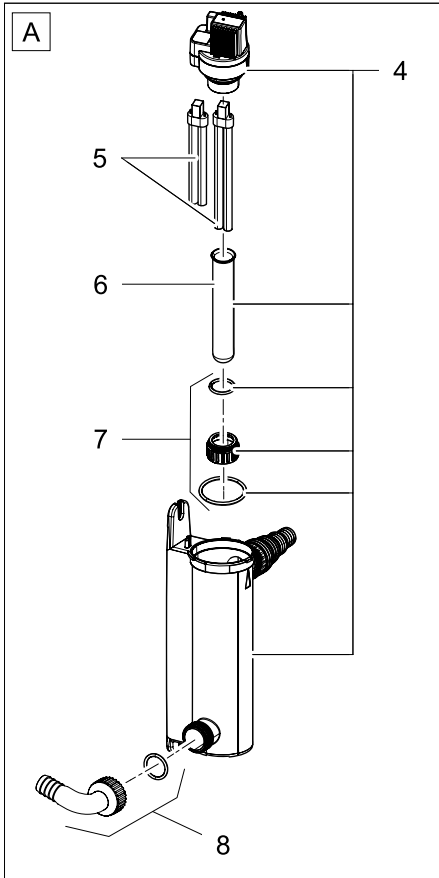
Malfunction	Cause	Remedy
The unit performance is not satisfactory	Unit has been in operation only for a short time	The complete biological cleaning effect is only achieved after several weeks
	Water extremely soiled	Remove algae and leaves from the pond, perform a partial water change
	Excessive fish and animal population	Guide value: approx. 60 cm fish length in 1 m <sup>3</sup> pond water
	Foam filters soiled	Clean filters
	Pump filter housing soiled	Clean pump filter housing
	Impeller unit blocked	Clean pump
	Quartz glass tube soiled	Remove UVC and clean quartz glass
UVC lamp display is not lit	UVC lamp capacity exhausted	Replace the lamp after approx. 8,000 operating hours
	Power supply of UVC not connected	Connect UVC power plug
	UVC lamp defective	Replacing the UVC lamp
	Connection defective	Check electrical connection
No water outlet from the pond inlet	UVC overheated	UVC automatically switches on when cooled down
	Pump power supply not connected	Connect pump power supply
	Pond inlet blocked	Clean pond inlet

### Guarantee conditions

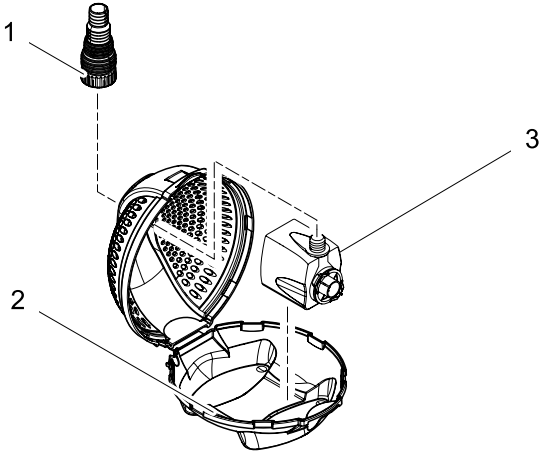
PfG grants a 2 year guarantee from the date of sale on proven material and manufacturing faults. Prerequisite for our guarantee is the presentation of the purchase receipt. Our guarantee will become null and void if the unit is misused, electrically or mechanically damaged by inappropriate use and improper repair by non-authorized workshops. Repairs are reserved for workshops authorised by PfG or by PfG itself. In the case of warranty claims, please return the defective unit or part freight paid to PfG together with a description of the fault and the purchase receipt. PfG reserves the right to invoice repair costs. PfG is not liable for transport damage. Any damage must be claimed against the carrier. Further claims of whatever type, especially consequential damage, are excluded. This guarantee does not affect the final customer's claims against the dealer.



Multi Clear Set		
Pos.	5000	8000
1	11220	11220
2	12092	12093
3	35814	35814
4	12091	12091
5	36795	56112
6	22622	22622
7	12090	12090
8	11500	11500



PondoVario		
Pos.	1500	2500
1	23641	23641
2	28636	28636
3	10498	10499



**PfG GmbH**  
Tecklenburger Straße 161  
D - 48469 Hörstel  
Germany  
[www.pontec.com](http://www.pontec.com)