



## InScenio EGC Controller - Cloud

Home, Cloud

Operating instructions

## WARNING

- ▶ Disconnect all electrical devices in the water from the power supply before reaching into the water. Otherwise there is a risk of severe injuries or death by electrocution.
  - ▶ This unit can be used by children aged 8 and above and by persons with reduced physical, sensory or mental capabilities or lack of experience and knowledge if they are supervised or have been instructed on how to use the unit in a safe way and they understand the hazards involved. Do not allow children to play with the unit. Only allow children to carry out cleaning and user maintenance under supervision.
- 

## Safety information

### Electrical connection

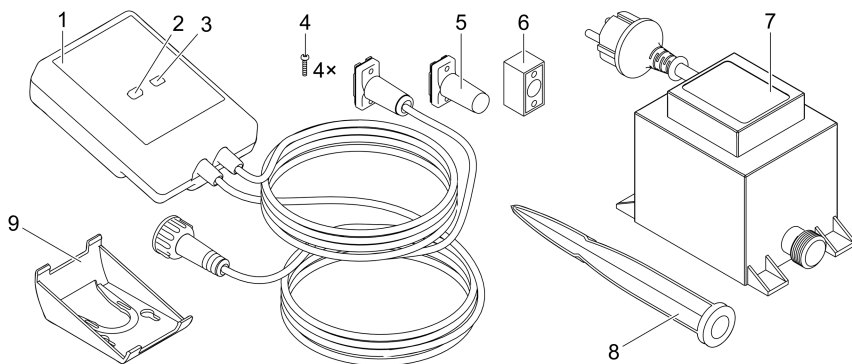
- Only connect the unit if the electrical data of the unit and the power supply match.
- Only plug the unit into a correctly installed outlet. Ensure that the outlet is fused for a rated fault current of max. 30 mA by means of a fault current protection device.
- Protect the plug connections from moisture.

### Safe operation

- Never immerse the unit in water or other liquids.
- Do not use the unit, if electrical lines or the housing are damaged.
- A damaged connection cable cannot be replaced. Dispose of the unit.
- Do not carry or pull the unit by its power cable.
- Route lines in such a way that they are protected from damage and do not present a tripping hazard.
- Do not use multi-outlet strips.
- Should problems occur, please contact the authorised customer service or OASE.

# Product Description

## Overview



EGC0004

1	InScenio EGC Controller
2	WPS/Reset button
3	LED for displaying the operating status
4	Screws for fastening the plug connectors to the cable connector EGC
5	Terminal resistor EGC is plugged into the final unit of the EGC network
6	Cable connector EGC (47788)
7	Transformer
8	Ground stake for ground installation
9	Retaining frame for fastening to the wall or mounting the ground stake

## Function description

InScenio EGC Controller is a controller for linking the OASE EGC units.

The connected units can be controlled via WLAN using a tablet, PC or smartphone and the OASE app "Easy Control". You can connect up to ten EGC-capable OASE units.

The controller is available in the versions Home and Cloud. With the Cloud version, it is possible to monitor EGC-capable units via the OASE web portal. You can access the web portal at

<https://oec.oase-livingwater.com> .

The Easy Garden Control System (EGC) allows convenient control of units in the garden and pond, and ensures maximum convenience and reliability.

Information about EGC and the possibilities it offers can be found at [www.oase-livingwater.com/egc-start](http://www.oase-livingwater.com/egc-start).

## Intended use

Only use the product described in this manual as follows:

- Operation only as device control system with EGC-compatible OASE end devices.
- Operation only at ambient temperatures of  $-20\text{ }^{\circ}\text{C}$  ...  $+45\text{ }^{\circ}\text{C}$ .
- Operate in accordance with instructions. (→ Technical data)

The following restrictions apply to the unit:

- Do not use for commercial or industrial purposes.

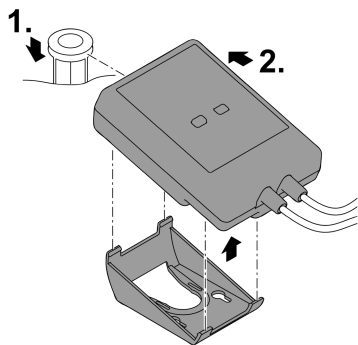
## Installation

### WARNING

The transformer is subject to dangerous voltage and must not be installed directly adjacent to the water. Otherwise there is a risk of severe injuries or death by electrocution.

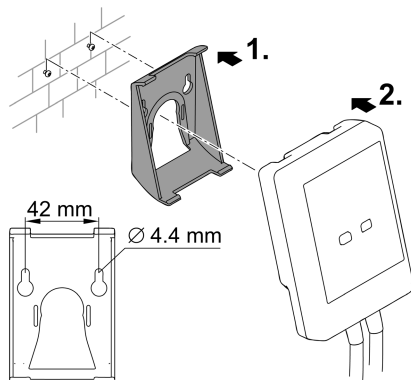
- ▶ Install the transformer at a distance of at least 2 m from the water to ensure that it is protected against flooding.

#### Use a ground stake for installation

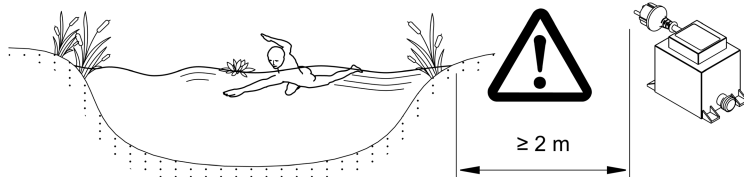


EGC0006

#### Fasten to the wall



EGC0007



EGC0005

## Connection

### NOTE

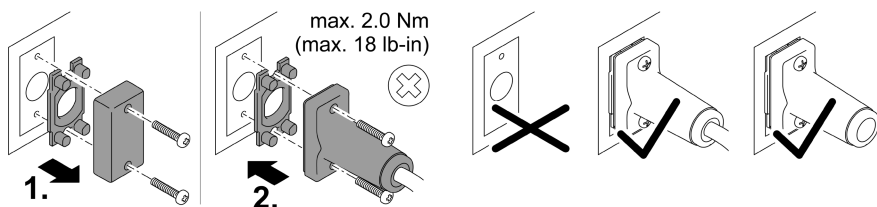
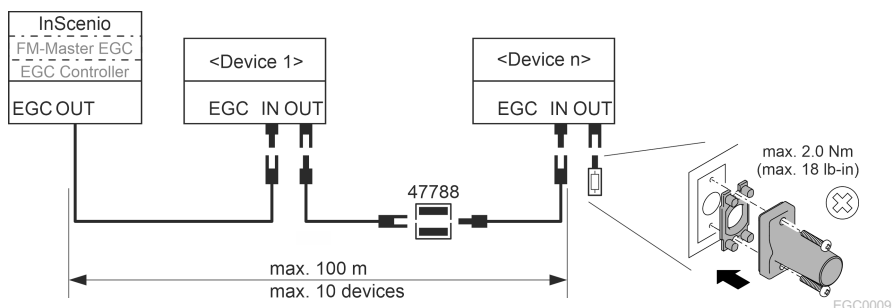
The unit will be damaged, if water enters the plug connectors.

- ▶ Screw the plug connectors to each other (socket/connector) so that they are water-tight. Cover open plug connectors with a protection cap and rubber seal.
- ▶ Ensure that the rubber seal is clean and fits exactly. Replace the rubber seal if it is damaged.

## Connecting an EGC-compatible device

The correct fastening of the plug connector is important for a secure connection and an interference-free EGC network.

- The EGC connection cable is available as an accessory in the lengths 2.5 m (47038), 5 m (47039) and 10 m (47040).
  - The EGC connection cable and the connection cable of the InScenio EGC Controller are connected to the EGC cable connector. (47788).
- Ensure that on EGC-OUT of the last unit in the EGC network, the terminal resistor EGC is installed instead of an EGC connection cable, to ensure that the EGC network is closed off properly.



EGC0003

## Commissioning/start-up

Proceed as follows for start-up:

1. Install the app "Easy Control" on your smartphone/tablet. (→ Installing the OASE app "Easy Control" )
2. Connect the InScenio EGC Controller to the power supply. (→ Switching on the unit)
3. Activate the WLAN connection in the settings of your smartphone/tablet, start the app and follow the instructions.

### Possible connection methods

For operation, the InScenio EGC Controller and the smartphone/tablet must be connected via WLAN.

WLAN connection	Description
Connecting the InScenio EGC Controller and smartphone/tablet using WPS via the WLAN network of the WLAN router.	<ul style="list-style-type: none"> <li>• The smartphone/tablet remains connected with the WLAN network and can continue to access the internet.</li> <li>• EGC-capable units can be monitored and controlled via the Cloud web portal.</li> </ul>
Directly connecting the InScenio EGC Controller and smartphone/tablet (Access-Point)	<ul style="list-style-type: none"> <li>• The InScenio EGC Controller and the smartphone/tablet are not connected with the WLAN network of the WLAN router. Both units cannot access the internet.</li> <li>• EGC-capable units cannot be monitored and controlled via the Cloud web portal.</li> </ul>
Manually connecting the the InScenio EGC Controller and smartphone/tablet via the WLAN router of your home network.	<ul style="list-style-type: none"> <li>• The smartphone/tablet remains connected with the WLAN network and can continue to access the internet.</li> <li>• EGC-capable units can be monitored and controlled via the Cloud web portal.</li> </ul>

## Operating status display

LED colour	LED status	Description
–	Off	InScenio EGC Controller is switched off.
Green	Lit	InScenio EGC Controller is ready for operation and in access point mode.
	Flashing fast	WPS is activated, InScenio EGC Controller is waiting for the router access data.
	Flashing slowly (2 seconds on, 1 second off)	InScenio EGC Controller is ready for operation and connected to the router.
Yellow	Lit	InScenio EGC Controller is starting up or is in update mode.
	Flashing fast	Firmware update in progress
	Flashing slowly (2 seconds on, 1 second off)	InScenio EGC Controller is searching for a connection to the router.
Red	Flashing	<p>Malfunction</p> <p>Remedy:</p> <ul style="list-style-type: none"> <li>• Disconnect from the power supply. Wait for 10 seconds then reconnect.</li> <li>• Reset InScenio EGC Controller to factory settings</li> <li>• Carry out a firmware update</li> </ul>

## Installing the OASE app "Easy Control"

How to proceed:

1. Open the app "App Store" or "Google Play" on your smartphone/tablet.
  2. Search for the OASE app "Easy Control".
  3. Install the app.
    - Follow the instructions during installation.
- ✓ The app symbol appears on the display after successful installation.

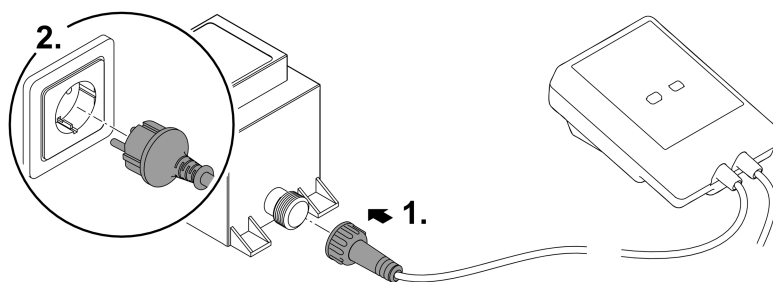
iOS



Android



## Switching on the unit



EGC0008

## Establishing a connection to the WLAN router via WPS

WPS (WIFI Protected Setup) is a standard for establishing a WLAN connection at the touch of a button.

- It is not necessary to enter the network name (SSID) and password.
- The WLAN router must support WPS.

Prerequisite:

- The range of the WLAN connection between the WLAN router and InScenio EGC Controller can span a distance of up to 80 m provided there is unobstructed signal transmission and there are no sources of interference.
- Compatibility with the WLAN standard 802.11n+g and only in the frequency range 2.4 GHz.

How to proceed:

1. Press the WPS key on the WLAN router to activate WPS.
    - WPS is only active for a limited time. Activate WPS on the InScenio EGC Controller during this time.
    - Please also note the information in the operating manual of the WLAN router.
  2. Briefly press the WPS key on the InScenio EGC Controller (max. 2 seconds) to activate WPS.
    - The LED rapidly flashes green.
    - The WPS remains active for 2 minutes.
- ✓ The connection is established when the LED begins to flash green slowly (2 seconds on, 1 second off).



## Establishing the direct WLAN connection (Access Point)

The smartphone/tablet and the InScenio EGC Controller are directly connected.

- Select the direct connection, if no WLAN network is available, the WLAN router does not support WPS or the distance between the WLAN router and InScenio EGC Controller is too long.

Prerequisite:

- The range of the WLAN connection between the smartphone/tablet and InScenio EGC Controller can span a distance of up to 80 m provided there is unobstructed signal transmission and there are no sources of interference.

How to proceed:

1. Open the settings on your smartphone/tablet.

iOS



Android



2. Activate the WLAN.



3. Select "Oase EGC Controller xxxxxx" from the network list.

- The network name (SSID) ① is indicated on the label on the InScenio EGC Controller.
- The sequence of letters "xxxxxx" in the network name (SSID) ① is unit-specific and represents part of the MAC address of the InScenio EGC Controller.

4. Enter the WLAN password.

- The default password ② is indicated on the label on the InScenio EGC Controller.
- The factory-set default password is ② "oase1234".

5. Select "Connect."

- If the connection is successful, "Connected" (Android) or a "✓" (iOS) will appear under the network name.
- The connection is encrypted and protected by the password.
- Other WLAN connections are deactivated.

✓ The direct WLAN connection to the InScenio EGC Controller is established.



**1234567898765432**

**Version: V1.0**

**Default Firmware: V01.01**

**SSID: Oase EGC Controller xxxxxx** — ①

**Password: oase1234** — ②

EGC0011

## Manually establishing a connection to the WLAN router

Prerequisite:

- The range of the WLAN connection between the WLAN router and InScenio EGC Controller can span a distance of up to 80 m provided there is unobstructed signal transmission and there are no sources of interference.
- Compatibility with the WLAN standard 802.11n+g and only in the frequency range 2.4 GHz.

How to proceed:

1. Connect the smartphone/tablet directly with the InScenio EGC Controller (Access-Point). (→ Establishing the direct WLAN connection (Access Point))
2. Open the settings in the OASE app "Easy Control".



3. For the network connections, first select "Router", then "Manual".
  4. Enter the network name (SSID) and the password of the WLAN router.
  5. Confirm your inputs with "Connect".
    - The InScenio EGC Controller indicates that it is establishing a connection with a yellow flashing LED.
    - The connection is established when the LED begins to flash green slowly (2 seconds on, 1 second off).
    - You may have to manually connect your smartphone/tablet with the WLAN router.
- ✓ The InScenio EGC Controller is now connected with the network of the WLAN router.

## Controlling the unit via the Cloud web portal

You can connect the InScenio EGC Controller in the Cloud version with the OASE cloud web portal. This will allow you to control and monitor connected devices even on the go.

You can enable the connection with the Cloud web portal in the the settings of the OASE app "Easy Control".

- You will have to register once when logging into the Cloud web portal.
- To add the InScenio EGC Controller to the Cloud web portal, enter the unit serial number and unit password.
  - You can find the unit serial number in the settings of the OASE app "Easy Control".

Prerequisite:

- The InScenio EGC Controller and the smartphone/tablet are connected with the WLAN network of your WLAN router.
- The WLAN router is connected to the internet.

## Maintenance and cleaning

### Cleaning the device

Clean the unit with a soft, clean and dry cloth. Never use aggressive cleaning agents or chemical solutions. These can attack the housing surface or impair the function.

### Resetting the network settings

The network settings are reset to the delivery default settings. Saved entries from the device library and the timer are retained.

How to proceed:

1. Press and hold the reset button for approx. 5 seconds.
    - The LED on the InScenio EGC Controller first flashes green rapidly, then turns yellow to acknowledge deletion of the network settings.
    - The network settings have been reset when the green LED on the InScenio EGC Controller is lit.
    - The InScenio EGC Controller starts in access point mode and can be directly connected to the smartphone/tablet.
- ✓ The network name (SSID) and password of the WLAN router have been deleted.
  - ✓ The WLAN password of the InScenio EGC Controller has been reset to the factory settings.
  - ✓ The unit password has been deleted.

### Updating the firmware

To keep the InScenio EGC Controller firmware up to date, ensure that automatic updates of the OASE app are enabled on your smartphone/tablet. When the OASE app is started, the program automatically checks whether the firmware is up to date. Follow the instructions on the display, if a firmware update is initiated.

Prerequisite:

- The OASE app is up to date and connected with the InScenio EGC Controller.

In the InScenio EGC Controller settings, you can check which firmware version is installed and whether a current version is available.

How to proceed:

1. Start the OASE app on your smartphone/tablet and open the settings for the InScenio EGC Controller.
2. Access the firmware update.
3. Install the current firmware version, if an update is available.
  - Follow the instructions on the screen.
  - If a password is requested, use the password "oase1234".

## Restoring the factory default settings

The delivery default settings of the InScenio EGC Controller are restored. All entered data will be lost.

How to proceed:

1. Press and hold the reset button for approx. 15 seconds.
  - The LED on the InScenio EGC Controller first flashes green fast, then yellow fast to acknowledge deletion of the network settings.
  - The factory default settings have been restored when the green LED is lit.
  - The InScenio EGC Controller starts in access point mode and can be directly connected to the smartphone/tablet.
- ✓ The network name (SSID) and password of the WLAN router have been deleted.
- ✓ The WLAN password of the InScenio EGC Controller has been reset to the factory setting.
- ✓ The unit password has been deleted.
- ✓ The device list has been deleted.

## Malfunction remedy

Malfunction	Cause	Remedy
The WIFI connection is not established although the network name is displayed in the WIFI settings.	The smartphone/tablet cannot update the entered connection data for the network.	iOS: <ul style="list-style-type: none"> <li>• Select the network and touch ⓘ.</li> <li>• Touch "Ignore this network" to remove the network.</li> <li>• Then establish a connection with the network again.</li> </ul>
	The WIFI standard set in the router is not compatible with the InScenio EGC Controller.	Android: <ul style="list-style-type: none"> <li>• Select the network and touch "Remove" to remove the network.</li> <li>• Then establish a connection with the network again.</li> </ul> InScenio EGC Controller supports the WIFI standard 802.11n+g+b (only in the frequency range 2.4 Ghz). <ul style="list-style-type: none"> <li>• If necessary, select the correct WIFI standard on the router (see router operating manual)</li> </ul>

Malfunction	Cause	Remedy
The InScenio EGC Controller is not reacting to commands.	WIFI on the smartphone/tablet is deactivated.	Activate WIFI on the smartphone/tablet and establish a connection to the InScenio EGC Controller.
	Sources of interference between the smartphone/tablet and In-Scenio EGC Controller	<ul style="list-style-type: none"> <li>• Reduce the distance between the smartphone/tablet and the InScenio EGC Controller.</li> <li>• Select a different location for operating by smartphone/tablet.</li> <li>• Ensure that there are no obstructions between the InScenio EGC Controller and smartphone/tablet.</li> <li>• For a direct WIFI connection (access point) between the InScenio EGC Controller and smartphone/tablet, select a different WIFI channel.</li> </ul>
	Too large a distance between the smartphone/tablet and the InScenio EGC Controller	<ul style="list-style-type: none"> <li>• Reduce the distance, do not exceed the max. range of 80 m.</li> <li>• Use an off-the-shelf repeater to increase the range.</li> </ul>
	The power supply of the In-Scenio EGC Controller is interrupted.	Establish power supply <ul style="list-style-type: none"> <li>• The green LED is lit.</li> <li>• The green LED flashes when the WIFI connection is established.</li> </ul>
	The receiver in the InScenio EGC Controller is defective.	Contact the OASE service.
	The "OASE Easy Control" app is outdated.	Install the latest version of the "OASE Easy Control" app on your smartphone/tablet.
	The operating system of the smartphone/tablet is outdated.	Update the operating system.
The InScenio EGC Controller switches at the wrong time.	The system time of the InScenio EGC Controller does not correspond to the actual time.	Update the system time to the time on the operating device.
	The data cable is interrupted.	Check the EGC connections.

Malfunction	Cause	Remedy
The added EGC device is not reacting to commands.	The EGC device has no power supply	Establish power supply
No connection between EGC device and InScenio EGC Controller.	The data cable is interrupted.	Check the EGC connections.
	The EGC device has no power supply	Establish power supply
Yellow LED is lit	The InScenio EGC Controller is in the firmware update mode.	Connect with the WIFI „OASE_UPDATE_xxxxxx“ or „OASE_UPDATE_EGC_XXXXXX“ and use the app to start the firmware update.
The yellow LED is flashing slowly (2 seconds on, 1 second off).	InScenio EGC Controller is searching for a connection to the router.	<ul style="list-style-type: none"> <li>• Reduce the distance, do not exceed the max. range of 80 m.</li> <li>• Remove any sources of interference that may be weakening the WIFI signal (e.g. other wireless devices, differences in height).</li> <li>• Switch on the WIFI router.</li> <li>• Activate the WIFI function on the router.</li> <li>• If the router is no longer available or defective, reset the network settings of the InScenio EGC Controller so that it can be directly controlled in access point mode</li> <li>• Connect the InScenio EGC Controller to another router</li> </ul>
Red LED is flashing.	Internal error	<ul style="list-style-type: none"> <li>• Disconnect from the power supply, wait for 10 seconds and then reconnect.</li> <li>• Reset the InScenio EGC Controller to the factory default settings.</li> </ul>
The device does not start, red LED flashing.	No firmware found.	Manually start the firmware update mode

## Technical data

		InScenio EGC Controller	
Controller	Connection voltage	V DC	12
	Protection type		IP 68
	Length of 12-V-cable	m	2
	Length of EGC cable	m	2
	WLAN frequency	GHz	2.4
	Max. WLAN range	m	80
	Dimensions	mm	130 × 90 × 40
	Weight	kg	0.9
Transformer	Power supply voltage	V AC	230
	Mains frequency	Hz	50
	Output voltage	V DC	12
	Length of power cable	m	2
	Protection type		IP 44
	Dimensions	mm	80 × 40 × 60
	Weight	kg	0.45

## Spare parts



The use of original parts from OASE ensures continued safe and reliable operation of the unit.

Please visit our website for spare parts drawings and spare parts.

[www.oase.com/ersatzteile](http://www.oase.com/ersatzteile)

## Disposal

### NOTE



Do not dispose of this unit with household waste.

- ▶ Dispose of the unit by using the return system provided for this purpose.
- ▶ Render the unit unusable by cutting the cables.



**EU-Konformitätserklärung**  
*Declaration of EU-conformity*

---

OASE GmbH  
Tecklenburger Str. 161  
48477 Hörstel  
Tel. +49 54 54 / 80-0  
Email: [info@oase-livingwater.com](mailto:info@oase-livingwater.com)

erklärt, dass das Produkt  
*declares that the product*

**Produkt / Product:**

**Controller**  
*Controller*

**Typ / Type:**

**InScenio EGC-Controller Home**  
**InScenio EGC-Controller Cloud**

den folgenden Richtlinien der Union entspricht:  
*complies to the following directives of the Union:*

**2014/53/EU, 2011/65/EU**

Die vollständige EU-Konformitätserklärung ist unter der folgenden Internet-  
adresse abrufbar:

*The complete Declaration of EU-conformity is available at the following internet  
address:*

[www.oase-livingwater.com/ce](http://www.oase-livingwater.com/ce)



OASE GmbH  
Postfach 2069 • 48469 Hörstel  
Tecklenburger Straße 161 • 48477 Hörstel  
Germany

[www.oase.com](http://www.oase.com)  
[info@oase.com](mailto:info@oase.com)  
Hotline: +49 5454 93 39 49 20