



Filtral 3000/6000/9000 UVC

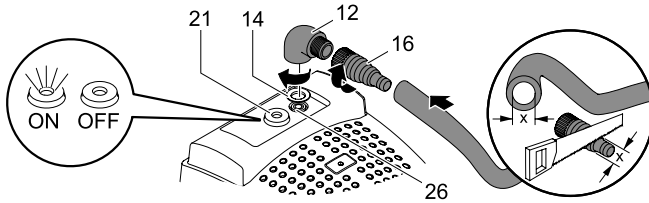
GB Operating instructions
DE Gebrauchsanleitung



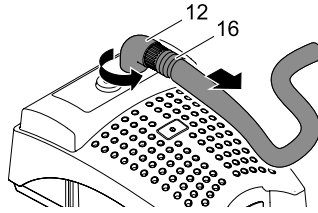
Filtral 3000 UVC

Filtral 6000 / 9000 UVC

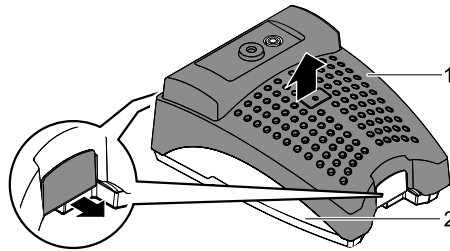
(A)



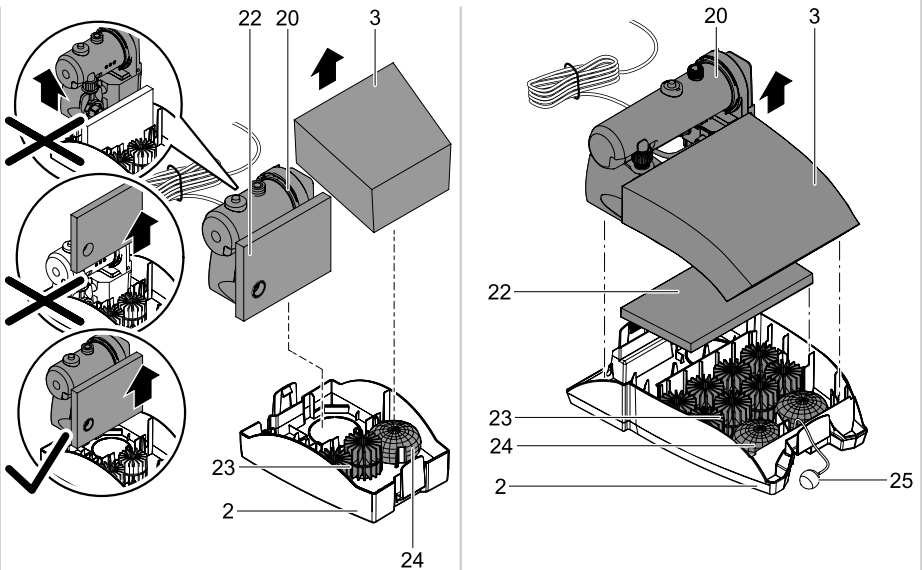
(B)



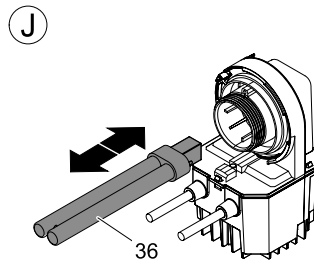
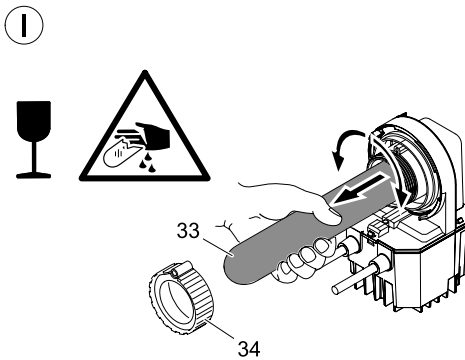
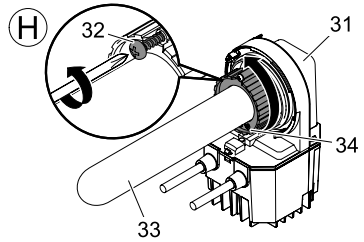
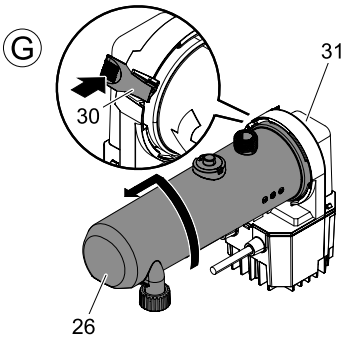
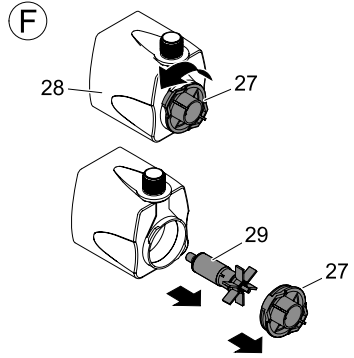
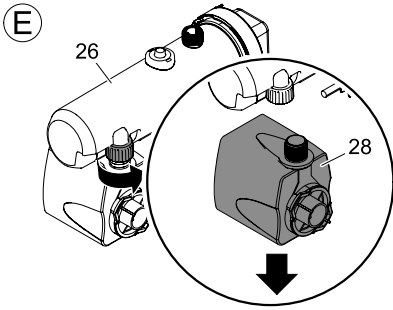
(C)



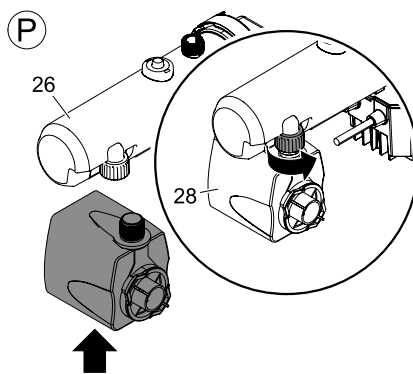
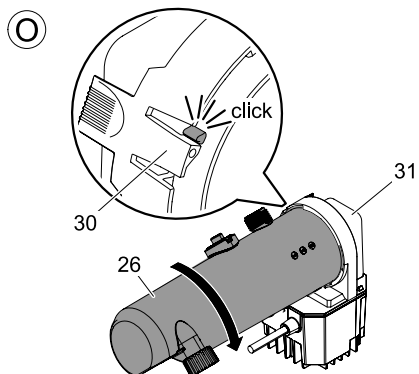
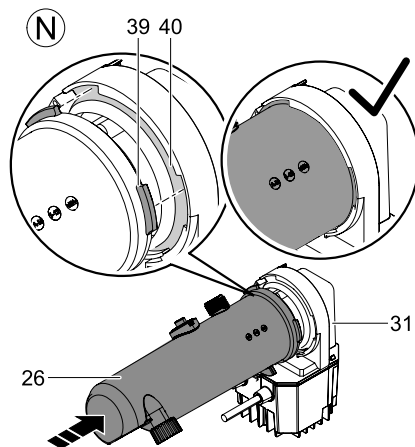
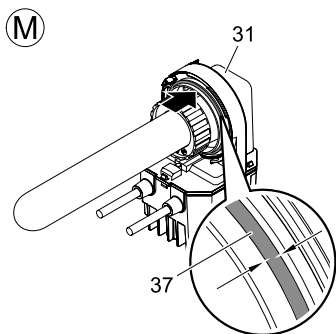
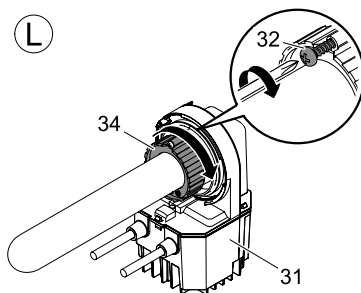
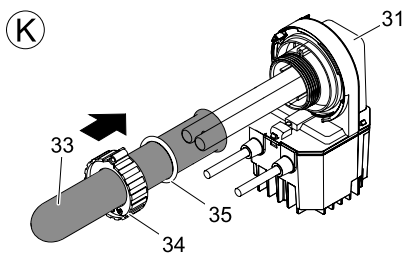
(D)



Filtral 3000 / 6000 / 9000 UVC



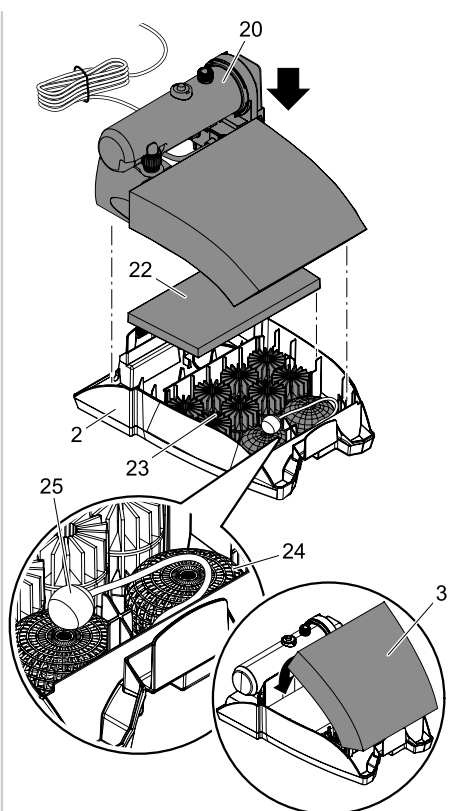
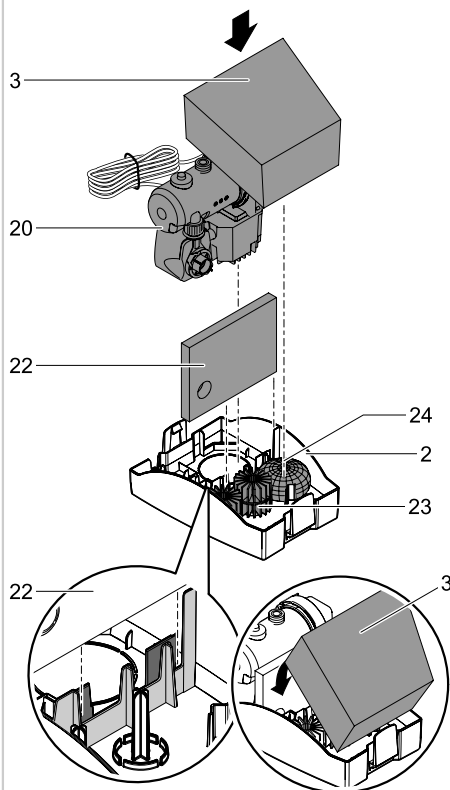
Filtral 3000 / 6000 / 9000 UVC



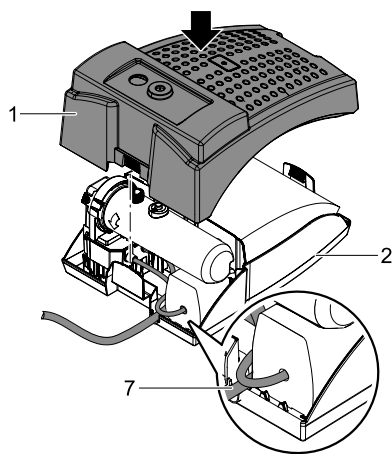
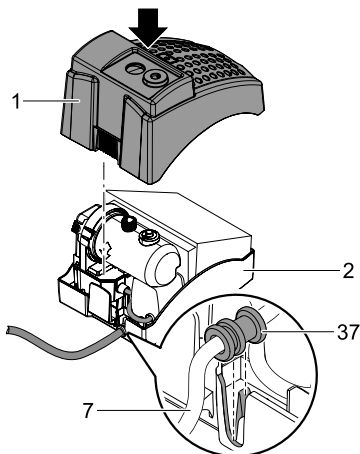
Filtral 3000 UVC

Filtral 6000 / 9000 UVC

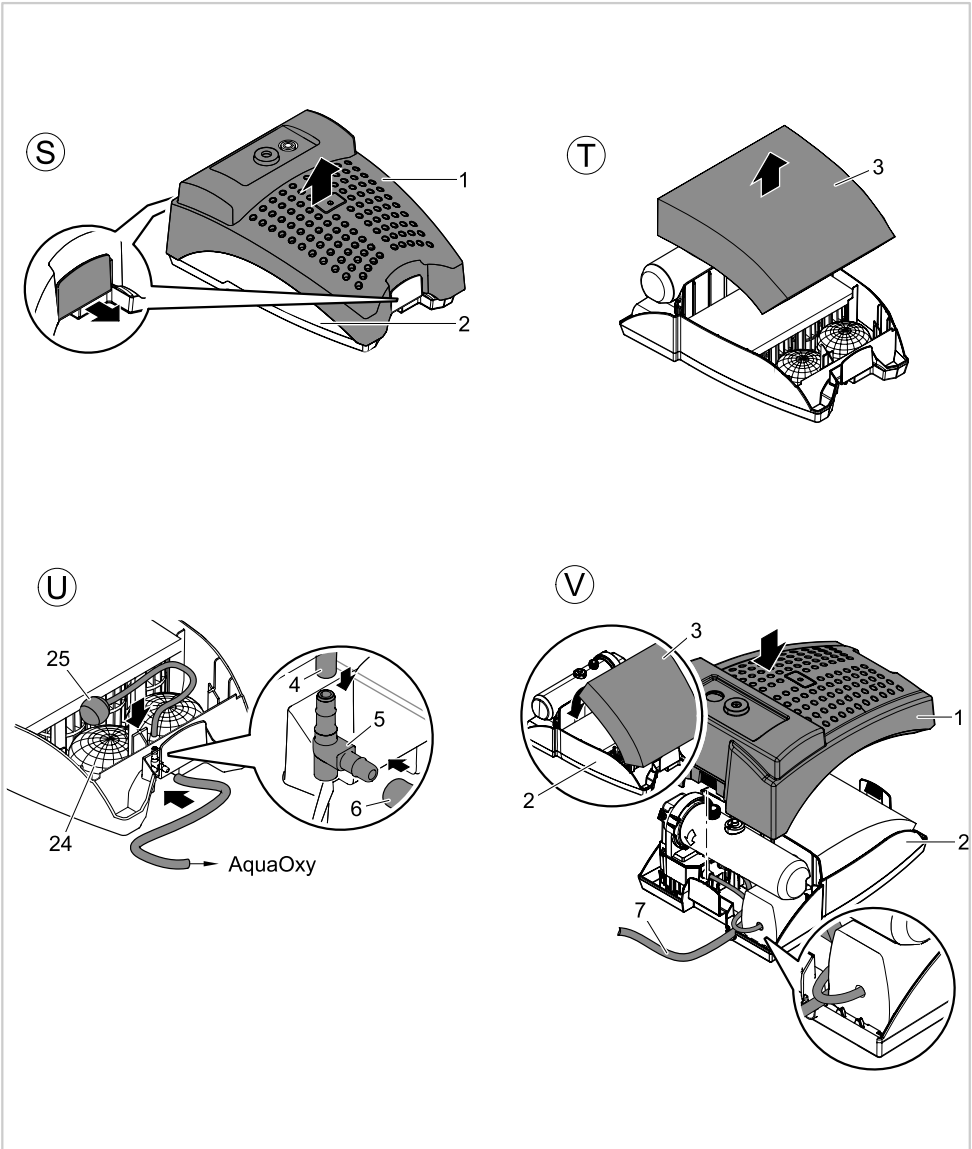
Q



R



Filtral 6000 / 9000 UVC



Translation of the original Operating Instructions

Information about these operating instructions

Welcome to OASE Living Water. You made a good choice with the purchase of this product **Filtral 3000 UVC / 6000 UVC / 9000 UVC**.

Prior to commissioning the unit, please read the instructions of use carefully and fully familiarise yourself with the unit. Ensure that all work on and with this unit is only carried out in accordance with these instructions.

Adhere to the safety information for the correct and safe use of the unit.

Keep these instructions in a safe place! Please also hand over the instructions when passing the unit on to a new owner.

Symbols used in these instructions

The symbols used in this operating manual have the following meanings:



Risk of injury to persons due to dangerous electrical voltage

This symbol indicates an imminent danger, which can lead to death or severe injuries if the appropriate measures are not taken.



Risk of personal injury caused by a general source of danger

This symbol indicates an imminent danger, which can lead to death or severe injuries if the appropriate measures are not taken.



Important information for trouble-free operation.

Intended use

Filtral 3000 UVC / 6000 UVC / 9000 UVC, in the following termed "unit", and all other parts from the delivery scope may be used exclusively as follows:

- For cleaning garden ponds.
- For operation with clean water.
- Operation under observance of the technical data.

The UVC lamp installed in the unit is intended to kill algae and bacteria in the pond water. Even in small doses, its radiation is harmful for eyes and skin. Never use the UVC lamp in a defective housing or outside the housing, or any other purpose other than that intended.

The following restrictions apply to the unit:

- Do not use in swimming ponds.
- Never use the unit to convey fluids other than water.
- Never run the unit without water.
- Do not use for commercial or industrial purposes.
- Do not use in conjunction with chemicals, foodstuff, easily flammable or explosive substances.

Safety information

The company **OASE** has built this unit according to the state of the art and the valid safety regulations. Despite the above, hazards for persons and assets can emanate from this unit if it is used in an improper manner or not in accordance with its intended use, or if the safety instructions are ignored.

For safety reasons, children and young persons under 16 years of age as well as persons who cannot recognise possible danger or who are not familiar with these operating instructions, are not permitted to use the unit. Keep children under supervision to ensure that they do not play with the unit.

Hazards encountered by the combination of water and electricity

- The combination of water and electricity can lead to death or severe injury from electrocution, if the unit is incorrectly connected or misused.
- Prior to reaching into the water, always switch off the mains voltage to all units used in the water.

Correct electrical installation

- Electrical installations must meet the national regulations and may only be carried out by a qualified electrician.
- A person is regarded as a qualified electrician, if, due to his/her vocational education, knowledge and experience, he or she is capable of and authorised to judge and carry out the work commissioned to him/her. Working as a qualified person also includes the recognition of possible hazards and the adherence to the pertinent regional and national standards, rules and regulations.
- For your own safety, please consult a qualified electrician.
- The unit may only be connected when the electrical data of the unit and the power supply coincide. The unit data is to be found on the unit type plate or on the packaging, or in this manual.
- Ensure that the unit is fused for a rated fault current of max. 30 mA by means of a fault current protection device.
- Extension cables and power distributors (e.g. outlet strips) must be suitable for outdoor use.

- GB -

- Ensure that the power connection cable cross section is not smaller than that of the rubber sheath with the identification H05RN-F. Extension cables must meet DIN VDE 0620.
- Protect the plug connections from moisture.
- Only plug the unit into a correctly fitted socket.

Safe operation

- Never operate the unit if either the electrical cables or the housing are defective!
- Do not carry or pull the unit by its electrical cable.
- Route all cables such that damage is excluded and nobody can trip over them.
- Never open the unit housing or its attendant components, unless this is explicitly required in the operating instructions.
- Only use original spare parts and accessories for the unit.
- Never carry out technical modifications to the unit.
- Only have repairs carried out by customer service points authorised by OASE.
- Only operate the unit if no persons are in the water!
- Keep the socket and power plug dry.

Installation**Filtral 3000****Connecting the hose (Fig. A)**

Screw the bend (12) on the connection thread of the UVC water housing (26) including the washer (14). If necessary, shorten the stepped hose adapter (16), screw on the bend (12) and fit the hose.

Filtral 6000/9000**Connecting the venting pump – option (Fig. S-V)**

If you wish to enrich the water with additional oxygen, connect the venting pump (Aqua Oxy) prior to installing the unit. The Aqua Oxy scope of delivery includes the aeration stone and the hose.

Open the filter housing (Fig. S): Pull the clamps on both sides of the bottom strainer casing (2) to the side and lift off the top strainer casing (1). Remove the foam filter (3).

Connect the aeration stone (Fig. U): Inside the housing, connect the aeration stone (25) with a section of the hose (4) to the air connector (5) and place the aeration stone (25) between the gravel bags (24). Ensure that the hose is not kinked. Connect the aeration pump (Aqua Oxy) to the air connector (5) outside of the housing. Read the aeration pump documentation.

Close the filter housing (Fig. V): Place the foam filter (3) in the bottom strainer casing (2). Attach the top strainer casing (1) and press it onto the bottom strainer casing (2) until the clamps engage in the bottom strainer casing.

Important: Lead the connection cable (7) through the cable opening in the bottom strainer casing (2) and route the cable such that pinching is avoided.

Connecting the hose (Fig. A)

Screw the bend (12) on the connection thread of the UVC water housing (26) including the washer (14). If necessary, shorten the stepped hose adapter (16), screw on the bend (12) and fit the hose.

Installation**Set-up the unit**

Place the unit in the pond on a horizontal, firm and sludge free ground and ensure that it is completely covered by water.

Start-up



Attention! Dangerous electrical voltage.

Possible consequences: Death or severe injury.

Protective measures:

- Prior to reaching into the water, disconnect the power supply to all units used in the water.
- Disconnect the power plug prior to carrying out work on the unit.



Attention! Sensitive electrical components.

Possible consequence: The unit will be destroyed.

Protective measure: Do not connect the unit to a dimmable power supply.

Switching on: Switch on the mains voltage. The unit switches on immediately when the power connection is established.

Switching off: Switch off the mains voltage.

The indicator lamp (Fig. A, 21) indicates the ON/OFF status of the UVC lamp.

Remedy of faults

Malfuction	Cause	Remedy
The unit is not operating	No mains voltage	Check mains voltage
Delivery insufficient or not consistent Cloudy water	Excessive pressure losses in the hoses	Reduce hose length and connecting parts to a minimum, route hoses as straight as possible
	Intake openings blocked	Clean housing
	Filters clogged	Clean filters
	Rotor blocked	Clean rotor
	Pond extremely dirty	Remove algae and leaves from the pond, exchange the water
	Quartz glass tube soiled	Remove UVC clarifying unit and clean the quartz glass tube
UVC lamp does not light up	UVC lamp overheated. The temperature switch has switched off the lamp	The UVC lamp will automatically switch on again once cooled down
	UVC lamp defective	Replace the UVC lamp
	UVC lamp is not correctly seated in the socket	Correctly insert the UVC lamp into the socket
Unit switches off after a short running period	Water temperature too high	Note maximum water temperature of +35°

Maintenance and cleaning



Attention! Dangerous electrical voltage.

Possible consequences: Death or severe injury.

Protective measures:

- Prior to reaching into the water, disconnect the power supply to all units used in the water.
- Disconnect the power plug prior to carrying out work on the unit.



Attention! Ultra-violet radiation.

Possible consequences: Eye or skin injury from burns.

Protective measures:

- Never operate the UVC lamp outside its housing.
- Never operate the UVC lamp in a housing that is defective.

Filteral 3000: Opening the filter housing and cleaning the different filters (Fig. C, D)

Unscrew the stepped hose adapter (16) prior to removing the bend (12). Pull the clamps on both sides of the bottom strainer casing (2) to the side and lift off the top strainer casing (1). Remove the foam filter (3) and the UVC clarifying unit including pump (20), and the fine foam filters (22), bio surface elements (23) and the gravel bag (24).

Clean the bottom strainer casing (2) and the top strainer casing (1) with clear water using a brush. Wash out foam filters (3, 22), bio-surface elements (23) and the gravel bag (24) under running water. Do not use chemical cleaning agents as they would kill the micro-organisms in the different filter media. At the beginning, this entails a reduced filter capacity.

Filtral 6000/9000: Opening the filter housing and cleaning the different filters (Fig. C, D)

Unscrew the stepped hose adapter (16) prior to removing the bend (12). Pull the clamps on both sides of the bottom strainer casing (2) to the side and lift off the top strainer casing (1). Remove the UVC clarifying unit including pump (20), foam filters (3, 22), bio surface elements (23) and gravel bags (24). When the aeration stone (25) is connected, put it to the side. Clean the bottom strainer casing (2) and the top strainer casing (1) with clear water using a brush. Wash out foam filters (3, 22), bio-surface elements (23) and gravel bags (24) under running water. Do not use chemical cleaning agents as they would kill the micro-organisms in the different filter media. At the beginning, this entails a reduced filter capacity.

Unscrew pump (28) from the UVC water housing (26). Unscrew the pump lid (27) counter-clockwise (bayonet closure) and remove rotor (29). Clean all components using clean water and a brush. After cleaning the pump, reassemble in the reverse order.

Opening and cleaning the UVC water housing (Fig. G, H)**Note!**

A safety switch prevents switching on the UVC lamp as long as the UVC water housing is removed.

The UVC water housing (26) is fastened to the unit head (31) by means of a bayonet closure. Press on the engagement lug (30) at the unit head (31), turn the UVC water housing (26) counter-clockwise and carefully pull it off the unit head (31). Clean the UVC water housing (26) under running water. Check the quartz glass (33) for damage and clean its outer face with a moist cloth.

Note: For an optimum filter performance, we recommend to replace the UVC lamp after approx. 8000 operating hours. Refer to 'Replace UVC lamp'.

Closing the UVC water housing (Fig. M-O):

Check the O ring (37) at the unit head (31) for damage. Place the O ring (37) on the recess at the unit head (31), then carefully push the UVC water housing (26) on the unit head (31) by applying medium pressure. While doing so, slightly turn the UVC water housing (26) to ensure that the tenons (39) and the grooves (40) of the bayonet closure intermesh. Turn the UVC water housing (26) clockwise against the stop and allow to engage.

Filtral 3000: Assembly of the unit (Fig. P-R)

Bolt the pump (28) to the UVC water housing (26) using the union nut. Insert fine foam filter (22) in the bottom strainer casing (2), place the bio surface elements (23) and the gravel bag (24) in the bottom strainer casing (2). Insert the UVC clarifying unit including the pump (20). Insert the foam filter (3). Attach the top strainer casing (1) and press it onto the bottom strainer casing (2) until the clamps engage in the bottom strainer casing. **Important:** Guide the connection cable (7) through the cable opening at the bottom strainer casing (2) and clip with the cable kink protection in the bottom strainer casing (37).

Filtral 6000/9000: Assembly of the unit (Fig. P-R)

Bolt the pump (28) to the UVC water housing (26) using the union nut. Place the bio surface element (23) and gravel bags (24) in the bottom strainer casing (2). Place the aeration stone (25) between the gravel bags (24). Ensure that the hose is not kinked. Place the foam filters (3, 22) in the bottom strainer casing (2). Insert the UVC clarifying unit including the pump (20). Attach the top strainer casing (1) and press it onto the bottom strainer casing (2) until the clamps engage in the bottom strainer casing. **Important:** Lead the connection cable (7) through the cable opening in the bottom strainer casing (2) and route the cable such that pinching is avoided.

UVC lamp replacement (Fig. H-L)**Attention! Breakable glass.****Possible consequences:** Injury of your hands caused by cuts.**Protective measures:** Handle both quartz glass and UVC lamp with care.**Attention! Ultra-violet radiation.****Possible consequences:** Eye or skin injury from burns.**Protective measures:**

- Never operate the UVC lamp outside its housing.
- Never operate the UVC lamp in a housing that is defective.
- Open the UVC water housing (see "Opening and cleaning the UVC water housing").
- Remove the self-tapping screw (32).
- Unscrew the clamping screw (34) from the unit head (31) by turning counter-clockwise.
- Pull off the quartz glass (33) and the O-ring (35) while slightly turning the unit head (31).
- Pull out the UVC lamp (36) and replace.

Important: Only use lamps the identification and capacity data of which correspond to the information on the type plate.

- Check the quartz glass (33) and the O ring (35) for damage.
- Insert the quartz glass (33) including the O ring (35) against the stop in the unit head (31).
- Tighten the clamping screw (34) clockwise up to the stop.
- Turn in and tighten the self-tapping screw (32).
- Close the UVC water housing (see "Closing the UVC water housing").

Storage/Over-wintering

Remove the unit at temperatures below zero degrees centigrade. Thoroughly clean and check the unit for damage. Store the unit immersed in water or filled with water at a frost-free place. Do not flood the power plug!

Wearing parts

The UVC lamp, the different filters and the rotor are wear parts and are excluded from the warranty.









Disposal

Do not dispose of this unit with domestic waste! For disposal purposes, please use the return system provided. Disable the unit beforehand by cutting off the cables.

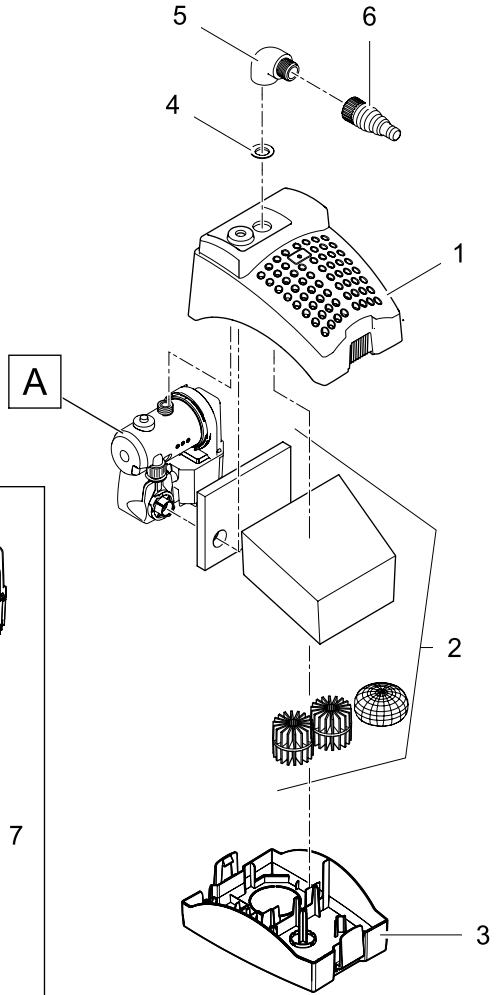
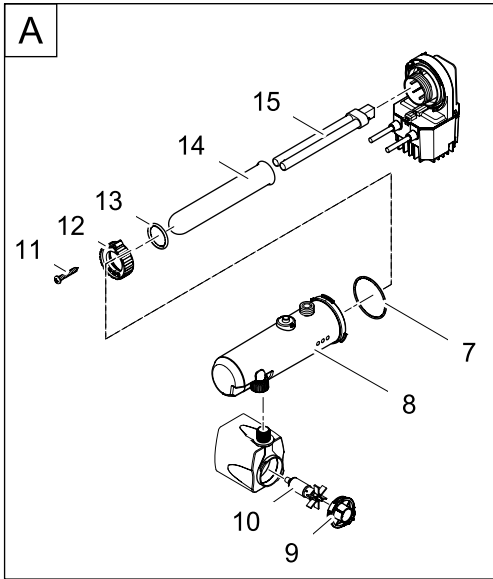
Only dispose of the UVC lamp by using the return system provided for this purpose.

Technical data

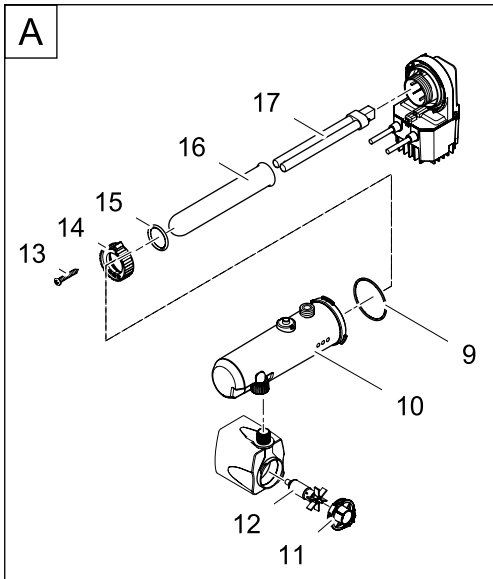
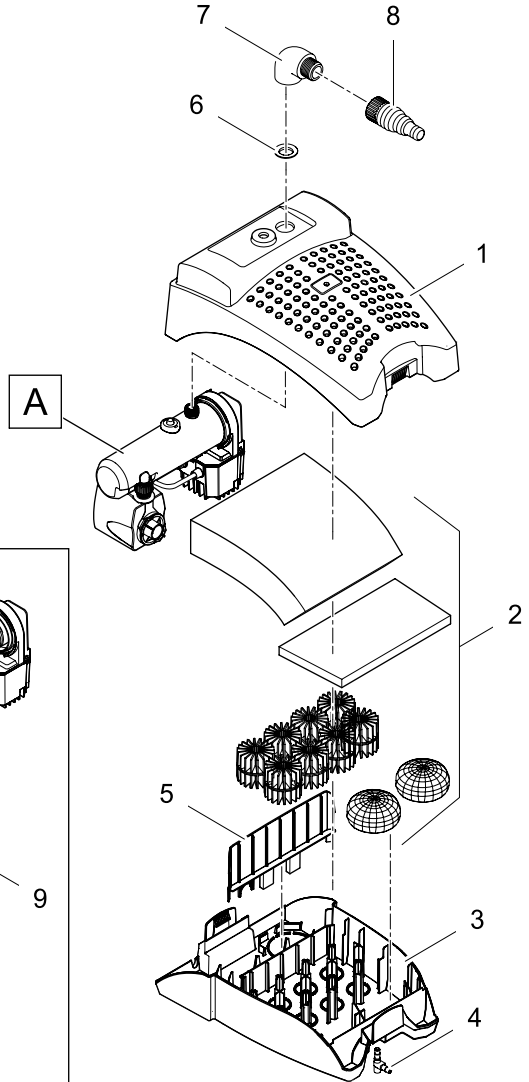
DE	Abmessungen	Gewicht	Bemessungsspannung	Leistungsaufnahme	UVC-Lampe	Anschluss Drucksseite	Max. Förderleistung	Max. Wassersäule	Filterfläche	Teichgröße mit Fischbesatz	Teichgröße ohne Fischbesatz	Wassertemperatur
GB	Dimensions	Weight	Rated voltage	Power consumption	UVC lamp	Connection, pressure side	Max. flow rate	Max. head height	Filter surface	Pond size with fish population	Pond size w/o fish population	Water temperature
Filteral 3000 UVC	250 x 185 x 160 mm	3.3 kg	~ 230 V, 50 Hz	20 W	7 W TC-S (UV-C)	½ "	600 l/h	1.3 m	232 cm²	≤ 1,3 m³	≤ 3,0 m³	+4 ... +35 °C
Filteral 6000 UVC	380 x 290 x 160 mm	4.5 kg		38 W	9 W TC-S (UV-C)	½ "	1100 l/h	2.3 m	564 cm²	≤ 3,0 m³	≤ 6,0 m³	
Filteral 9000 UVC	380 x 290 x 160 mm			40 W	11 W TC-S (UV-C)	½ "				≤ 4,5 m³	≤ 9,0 m³	

	IP 68  2 m							
DE	Staubdicht. Wasserdicht bis 2 m Tiefe.	Achtung! Gefährliche UVC-Strahlung!	Bei Frost, das Gerät deinstallieren!	Zerbrechlich, mit Vorsicht behandeln. Achtung! Gefahr von Schnittverletzungen.	Nicht mit normalem Hausmüll entsorgen!	Achtung! Lesen Sie die Gebrauchsanleitung		
GB	Dust tight. Submersible to 2 m depth.	Attention! Dangerous UVC radiation!	Remove the unit at temperatures below zero (centigrade).	Breakable, handle with care. Attention! Risk of injury from cuts.	Do not dispose of together with household waste!	Attention! Read the operating instructions		

Filtral 3000 UVC	
Pos.	
1	14041
2	13705
3	13623
4	29388
5	20191
6	23641
7	28553
8	13965
9	35762
10	35897
11	27891
12	12049
13	19475
14	13646
15	57111
A	21615



Filtral		
Pos.	6000 UVC	9000 UVC
1	14043	14043
2	35836	35836
3	11349	11349
4	35087	35087
5	29386	29386
6	29388	29388
7	20191	20191
8	23641	23641
9	28553	28553
10	35872	35872
11	35770	35770
12	35755	35755
13	27891	27891
14	12049	12049
15	19475	19475
16	22622	22622
17	54984	56112
A	21616	21617





OASE GmbH · www.oase-livingwater.com

Tecklenburger Straße 161 · 48477 Hörstel · Postfach 20 69 · 48469 Hörstel · Germany



21420/07H