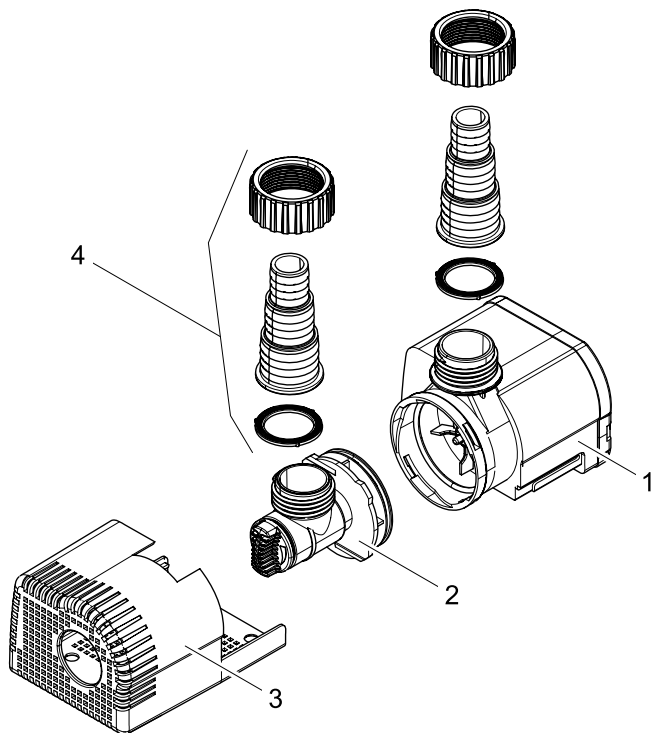




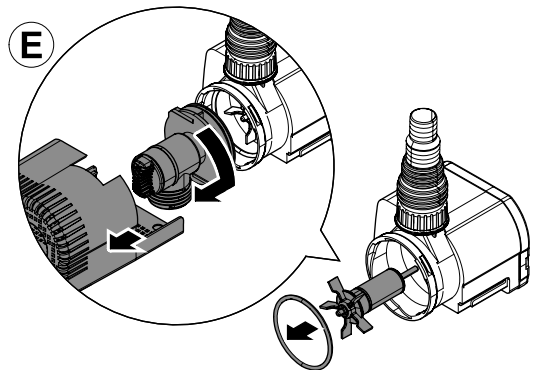
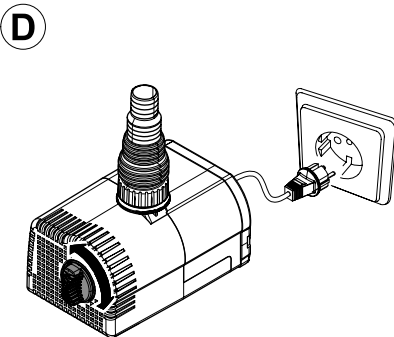
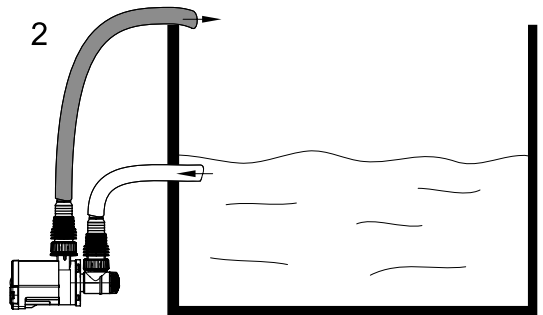
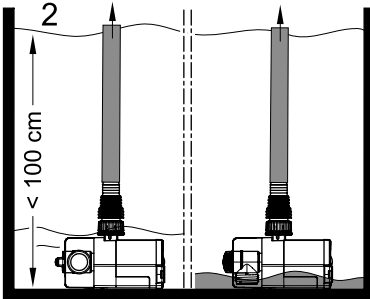
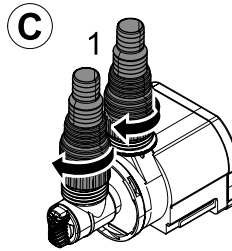
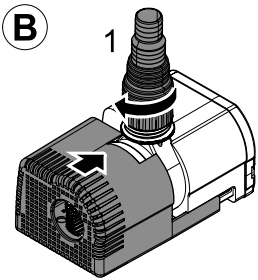
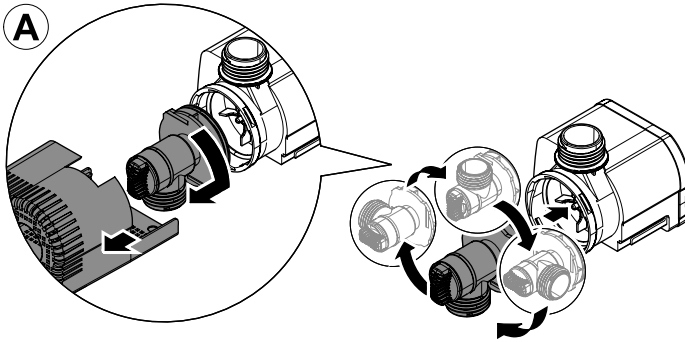
Aquarius *Universal 600, 1000, 1500, 2000*

- DE Gebrauchsanleitung
- GB Operating instructions
- FR Notice d'emploi
- NL Gebruiksaanwijzing
- ES Instrucciones de uso
- PT Instruções de uso
- IT Istruzioni d'uso
- DK Brugsanvisning
- NO Bruksanvisning
- SE Bruksanvisning
- FI Käyttöohje
- HU Használati útmutató
- PL Instrukcja użytkowania
- CZ Návod k použití
- SK Návod na použitie
- SI Navodila za uporabo
- HR Uputa o upotrebi
- RO Instrucțiuni de folosință
- BG Упътване за употреба
- UA Посібник з експлуатації
- RU Руководство по эксплуатации
- CN 使用说明书





	1	2	3	4
DE	Motorblock	Durchflussregler/Saugereinheit	Filtergehäuse	Stufenschlauchtülle
GB	Motor block	Flow regulator/suction unit	Filter housing	Stepped hose adapter
FR	Bloc moteur	Régulateur de débit/unité d'aspiration	Carter du filtre	Embout de tuyau à étages
NL	Motorblok	Debietregeling/zuigeenheid	Filterbehuizing	Slangmondstuk
ES	Bloque del motor	Regulador volumétrico de paso / unidad de aspiración	Carcasa del filtro	Boquilla portatubo escalonada
PT	Bloco do motor	Regulador do caudal / Unidade de aspiração	Filtro	Bocal escalonado
IT	Blocco motore	Regolatore portata/unità di aspirazione	Scatola del filtro	Boccola a gradini per tubo flessibile
DK	Motorblok	Gennemstrømningsregulator/sugeenhet	Filterhus	Trinslangestykke
NO	Motorblokk	Gjennomstrømningsregulator/sugeenhet	Filterhus	Slangemunnstykke
SE	Motorblock	Flödesreglering/sugenhet	Filterhus	Konisk slanganslutning
FI	Moottorin pää	Virtaamasaadin/imuyskikkö	Suodatinkotelo	Letkuyhde
HU	Motorblokk	Átfolyás-szabályozó/Szívóegység	Szűrőház	Lépcsőzetes tömlővég
PL	Blok silnika	Regulator przepływu/zespół ssania	Obudowa filtra	Stopniowana końcówka węży
CZ	Blok motoru	Regulátor průtoku/sací jednotka	Těleso filtru	Stupňovité hadicové hrdlo
SK	Blok motora	Regulátor prietoku/sacia jednotka	Teleso filtra	Stupňovité hadicové hrdlo
SI	Blok motorja	Regulator pretoka/sesalna enota	Ohišje filtra	Stopenjski cevasti nastavek
HR	blok motora	regulator protoka/usisna jedinica	Kućište filtra	Prilagodni priključak
RO	Blocul motor	Regulator de debit/Sorb	Carcasa filtrului	Ștuț în trepte pentru furtun
BG	Двигателен блок	Вентилатор за регулиране на водния поток/Всмукател	Корпус на филтъра	Накрайник за маркуча със степени
UA	Моторний блок	Регулятор потоку/всмоктувальний модуль	Корпус фільтра	Ступінчастий штуцер для шлангів
RU	Моторный блок	Регулятор протока / Всасывающий узел	Корпус фильтра	Фильтровальная чаша
CN	电机组	流量调节器/抽吸单元	过滤器外壳	变径软管接头



Translation of the original Operating Instructions

Information about these operating instructions

Welcome to OASE Living Water. You made a good choice with the purchase of the product **Aquarius Universal 600, 1000, 1500, 2000**.

Prior to commissioning the unit, please read the instructions of use carefully and fully familiarise yourself with the unit. Ensure that all work with this unit is only carried out in accordance with these instructions.

Adhere to the safety information for the correct and safe use of the unit.

Keep these instructions in a safe place! Please also hand over the instructions when passing the unit on to a new owner.

Symbols

The symbols used in this operating manual have the following meanings:



Risk of injury to persons due to dangerous electrical voltage

This symbol indicates an imminent danger, which can lead to death or severe injuries if the appropriate measures are not taken.



Risk of injury to persons due to a general source of danger

This symbol indicates an imminent danger, which can lead to death or severe injuries if the appropriate measures are not taken.



Important information for trouble-free operation.

Intended use

Aquarius Universal 600, 1000, 1500, 2000, in the following termed "unit", and all other parts from the delivery scope may be used exclusively as follows:

- For pumping clear water used for indoor and outdoor fountain pumps, table fountain pumps and statues.
- Operation under observance of the technical data.

The following restrictions apply to the unit:

- Do not use in swimming ponds.
- Never use the unit to convey fluids other than water.
- Never run the unit without water.
- Do not use for commercial or industrial purposes.
- Do not use in conjunction with chemicals, foodstuff, easily flammable or explosive substances.



Attention! Risk of damage!

Ensure that the unit does not take in air or run dry. Do not connect the unit to the domestic water lines.

Safety information

The company **OASE** has built this unit according to the state of the art and the valid safety regulations. Despite the above, hazards for persons and assets can emanate from this unit if it is used in an improper manner or not in accordance with its intended use, or if the safety instructions are ignored.

For safety reasons, children and young persons under 16 years of age as well as persons who cannot recognise possible danger or who are not familiar with these operating instructions, are not permitted to use the unit. Keep children under supervision to ensure that they do not play with the unit.

Hazards encountered by the combination of water and electricity

- The combination of water and electricity can lead to death or severe injury from electrocution, if the unit is incorrectly connected or misused.
- Prior to reaching into the water, always switch off the mains voltage to all units used in the water.

Correct electrical installation

- Electrical installations must meet the national regulations and may only be carried out by a qualified electrician.
- A person is regarded as a qualified electrician, if, due to his/her vocational education, knowledge and experience, he or she is capable of and authorised to judge and carry out the work commissioned to him/her. Working as a qualified person also includes the recognition of possible hazards and the adherence to the pertinent regional and national standards, rules and regulations.
- For your own safety, please consult a qualified electrician.
- The unit may only be connected when the electrical data of the unit and the power supply coincide. The unit data is to be found on the unit type plate or on the packaging, or in this manual.
- Ensure that the unit is fused for a rated fault current of max. 30 mA by means of a fault current protection device.
- Extension cables and power distributors (e.g. outlet strips) must be suitable for outdoor use.
- Ensure that the power connection cable cross section is not smaller than that of the rubber sheath with the identification H05RN-F. Extension cables must meet DIN VDE 0620.
- Protect the plug connections from moisture.
- Only plug the unit into a correctly fitted socket.

Safe operation

- Never operate the unit if either the electrical cables or the housing are defective!
- Do not carry or pull the unit by its electrical cable.
- Route all cables such that damage is excluded and nobody can trip over them.
- Never open the unit housing or its attendant components, unless this is explicitly required in the operating instructions.
- Only use original spare parts and accessories for the unit.
- Never carry out technical modifications to the unit.
- Only have repairs carried out by customer service points authorised by OASE.
- The power connection cables cannot be replaced. When the cable is damaged, the unit or the component needs to be disposed of.
- Only operate the unit if no persons are in the water!
- Keep the socket and power plug dry.

Important! The unit is equipped with a permanent magnet. The magnetic field may affect the function of pace-makers.

Submerged installation (A, B)

Attention! Risk of damage! Ensure that the unit does not take in air or runs dry.

Align the intake of the suction unit (A). Lateral intake: Allows maximum flow, deposits from the bottom are not taken in. Bottom intake: During operation, intake is possible up to a water level of 5 mm. Only operate the unit with the filter housing. Cut the stepped hose adapter to suit the hose diameter and screw onto the return (B1). Place the unit horizontally with its feet downward (B2).

Dry installation (A, C)

Attention! Risk of damage! Ensure that the unit does not take in air or runs dry. Do not connect the unit to a water line.

Align the intake of the suction unit upward (A). Operate the unit without filter housing. Cut both stepped hose adapters to suit the hose diameters, then screw each adapter on the intake and return (C1) Place the unit horizontally with its feet downward (C2). To prevent air from being taken in, ensure that unit and supply hose are always below the water level (C2).

Start-up



Attention! The pump must never run dry.

Possible consequence: The pump will be destroyed.

Protective measure: Check the water level at regular intervals. Always place the unit below water level.

Set the flow at the controller (D).

This is how to connect the power supply:

Switching on: Connect power plug to the socket. The unit switches on immediately when the power connection is established.

Switching off: Disconnect the power plug.



Attention! The installed temperature monitor automatically turns the pump off, if it is overloaded. The pump automatically switches on again once the motor has cooled down. **Risk of accident!**

Install the unit so that it is not exposed to direct sun radiation (max. 40 °C).

Maintenance and cleaning



Attention! Dangerous electrical voltage.

Possible consequences: Death or severe injury.

Protective measures:

- Prior to reaching into the water, disconnect the power supply to all units used in the water.
- Disconnect the power plug prior to carrying out work on the unit.

Cleaning the unit

Dismantle and clean the unit (E).

If necessary, clean the unit with clear water using a soft brush.

- In the event of stubborn furring (calcium deposits), a common household cleaner free from vinegar and chlorine can be used. Subsequently, clean the pump thoroughly using clear water.
- Never use aggressive cleaning agents or chemical solutions. These could attack the housing surface or impair the function.

Malfunction

Malfunction	Cause	Remedy
The unit does not start	No mains voltage	Check mains voltage
	Rotor blocked	Clean
Insufficient fountain height	Regulator closed too far	Set regulator
	Filter housing or rotor soiled, hose blocked	Clean
	Hose defective	Replace
	Hose kinked	Straighten hose
	Rotor worn	Replace rotor
Unit switches off after a short running period	Filter clogged	Clean
	Water temperature too high	Maximum water temperature: +35 °C

Disposal



Do not dispose of this unit with domestic waste! For disposal purposes, please use the return system provided. Disable the unit beforehand by cutting off the cables.

Storage/Over-wintering

Remove the unit at temperatures below zero degrees centigrade. Thoroughly clean and check the unit for damage.






Store the unit immersed in water or filled with water in a frost-free place. Do not flood the power plug!

Repair

A damaged housing cannot be repaired and must be put out of operation. Dispose of the unit in accordance with the regulations.

DE	Typ	Bemessungsspannung	Leistungsaufname	Wassersäule	Tauchtiefe	Kabellänge	Gewicht	Wassertemperatur
GB	Type	Rated voltage	Power consumption	Max. head height	Immersion depth	Cable length	Weight	Water temperature
FR	Type	Tension de mesure	Puissance absorbée	Colonne d'eau	Profondeur d'immersion	Longueur de câble	Poids	Température de l'eau
NL	Type	Dimensioneringsspanning	Vermogensopname	Waterkolom	Dompeldiepte	Kabellengte	Gewicht	Watertemperatuur
ES	Tipo	Tensión asignada	Consumo de potencia	Columna de agua	Profundidad de inmersión	Longitud del cable	Peso	Temperatura de agua
PT	Tipo	Vollagem considerada	Potência absorvida	Coluna de água	Profundidade de imersão	Comprimento do cabo	Peso	Temperatura de água
IT	Tipo	Tensione di taratura	Potenza assorbita	Colonna d'acqua	Profondità d'immersione	Lunghezza cavo	Peso	Temperatura dell'acqua
DK	Type	Nominal spænding	Effektforbrug	Vandsøjle	Bassindybde	Ledningslængde	Vægt	Vandtemperatur
NO	Type	Merkespennning	Effektforbruk	Vannssøyle	Nedsenkningsdybde	Kabel lengde	Vekt	Vanntemperatur
SE	Type	övre märkspänning	Effekt	Vattenpelare	Doppningsdjup	Kabelängd	Vikt	Vatten temperatur
FI	Tyyppi	mitoitusjännite	Oitoteho	Vesipylväs	Upotussyvyys	Kaapelin pituus	Paino	Veden lämpötila
HU	Típus	mért feszültség	Teljesítményfelvétel	Vízoszlop	Merülési mélység	Kábelhossz	Súly	Víz hőmérséklet
PL	Typ	napięcie znamionowe	Pobór mocy	Wydajność pompowania	Głębokość zanurzenia	Długość kabla	Ciężar	Temperatura wody
CZ	Typ	domezovací napětí	Příkon	Dopravní výkon	Hloubka ponoření	Délka kabelu	Hmotnost	Teplota vody
SK	Typ	dimenziačné napätie	Prikon	Dopravný výkon	Hĺbka ponorenia	Dĺžka kábla	Hmotnosť	Teplota vody
SI	Tip	dimenzionirana napetost	Poraba moči	Srplana zmogljivost	Polopna globina	Dolžina kabla	Teža	Temperatura vode
HR	Tip	gornji nazivni napon	Poraba moči	Protokni kapacitet	Dubina uranjanja	Duljina kabela	Masa	Temperatura vode
RO	Tip	tensiunea măsurată	Putere consumată	Debit de pompare	Adâncime de imersie	lungime cablu	Masă	Temperatura apei
BG	Тип	номинално напрежение	Потребявана мощност	Дебит	дълбочина на потапяне	Дължина на кабелите	Тегло	Температура на водата
UA	Тип	розрахункова напруга	Споживання електроенергії	Продуктивність	Глибина занурення	Довжина кабелю	Вага	Температура води
RU	Тип	расчетное напряжение	Потребление мощности	Производительность	Глубина погружения	Длина кабеля	Вес	Температура воды
CN	型号	设计电压	功耗	输送能力	潜水深度	电缆长度	重量	水温
Aquatarius Universal	600	~ 230 V, 50 Hz	7 W	≤ 600 l/h	≤ 1 m	1.5 m / 10 m	1.0 kg	+4 ... +35 °C
	1000		15 W	≤ 1000 l/h			1.2 kg	
	1500		18 W	≤ 1500 l/h			1.2 kg	
	2000		25 W	≤ 2000 l/h			1.2 kg	

IP 68 1m					
DE	Staubdicht. Wasserdicht bis 1 m Tiefe	Mögliche Gefahren für Personen mit Herzschrittmachern!	Vor direkter Sonneneinstrahlung schützen.	Nicht mit normalem Hausmüll entsorgen!	Achtung! Lesen Sie die Gebrauchsanleitung
GB	Dust tight. Submersible to 1 m depth.	Possible hazard for persons wearing pace makers!	Protect from direct sun radiation.	Do not dispose of together with household waste!	Attention! Read the operating instructions
FR	Imperméable aux poussières. Étanche à l'eau jusqu'à une profondeur de 1 m	Dangers possibles pour des personnes ayant des stimulateurs cardiaques !	Protéger contre les rayons directs du soleil.	Ne pas recycler dans les ordures ménagères !	Attention ! Lire la notice d'emploi
NL	Stofdicht. Waterdicht tot een diepte van 1 m	Mogelijke gevaren voor mensen met een pacemaker!	Beschermen tegen direct zonlicht.	Niet bij het normale huisvuil doen!	Let op! Lees de gebruiksaanwijzing
ES	A prueba de polvo. Impermeable al agua hasta 1 m de profundidad	Posibles peligros para las personas con marcapasos.	Protejae contra la radiación directa del sol.	¡No desecho el equipo en la basura doméstica!	¡Atención! Lea las instrucciones de uso
PT	A prova de pó. A prova de água até 1 m de profundidade.	Eventuais perigos para pessoas com pace-makers!	Proteger contra radiação solar directa.	Não deitar ao lixo doméstico!	Leia as instruções de utilização
IT	A tenuta di polvere. Impermeabile all'acqua fino a 1 m di profondità.	Possibili pericoli per persone con pace-maker!	Proteggere contro i raggi solari diretti.	Non smaltire con normali rifiuti domestici.	Attenzione! Leggere le istruzioni d'uso!
DK	Sivtæt. Vandtæt ned til 1 m dybde	Mulig fare for personer med pacemaker	Beskytt mod direkte sollys.	Må ikke bortskaffes med det almindelige husholdningsaffald	OBS! Læs brugsanvisningen
NO	Sivtett. Vannett ned til 1 m dyp	Kan være farlig for personer med pacemaker!	Beskytt mot direkte sollys.	NB! Les bruksanvisningen	NB! Les bruksanvisningen
SE	Dammtät. Vattentät till 1 m djup	Möjlig risk för personer med pacemaker!	Skydda mot direkt solstrålning	Läs igenom bruksanvisningen	Varning! Läs igenom bruksanvisningen
FI	Pölytiivis. Vesi tiivis 1 m syvytteen asti.	Mahdollinen vaara sydämentahdistinta käyttävälle henkilölle!	Suojattava suoralla auringonvalolla.	Älä hävätä laietta tavallisen talousjätteen kanssa!	Huomio! Lue käyttöohje
HU	Porntömítelt. Vízálló 1 m-es mélységgig	A készülék veszélyes lehet szívritmus-szabályozóval rendelkező személyekre!	Ovja közvetlen napsugárzástól.	Ne wyrzucać wraz ze śmieciami domowymi!	Uwaga! Przezytać instrukcję użytkowania!
PL	W razie mrozu zdeinstalować urządzenie	Możliwość wystąpienia zagrożenia dla osób ze stimulatorami	Chronić przed bezpośrednim nasłonecznieniem.	Nie wkładać w normalnym komunalnym odpady!	Pozor! Przeczytać Návod k použití!
CZ	Při mrazu přístroj odinstalovat	Možná nebezpečí pro osoby s kardiostimulátory!	Chránit před přímým slunečním zářením.	Nelkvodvat v normálním komunálním odpadu!	Pozor! Přečtete Návod k použití!
SK	Pri mraze prístroj odinštalovať	Možné nebezpečenstvo pre osoby s kardiostimulátormi!	Chrániť pred priamym slnečným žiarením.	Nelkvodvat v normálnom komunálnom odpade!	Pozor! Přečítajte si Návod na použitie
SI	Ob zmrzaji demontirati napravo.	Obstaja nevarnost za ljudi s srčnim spodbujevalnikom!	Zaščiti pred neposrednimi sončnim žarki.	Ne zavrzajte skupaj z gospodinjstvinimi odpadki!	Pozor! Prebrte navodila za uporabo!
HR	U slučaju mraza demontirati alje uređaj	Moguće opasnosti za nositelje elektrostimulatora!	Zaštite od izravnog sunčevog zračenja.	Nemojte ga bacati u običan kućni otpad!	Paznja! Pročitajte upute za upotrebu!
RO	Dezinstalați aparatul pe timp de iarnă la o adâncime de 1 m.	Posibile pericole pentru persoane cu by-pass cardiac!	Proteji împotriva razelor directe ale soarelui.	Nu aruncați în gunoai menajeri!	Atenție! Citiți instrucțiunile de utilizare!
BG	При ниски температури и опасност от замръзване деинсталирайте уреда	Възможен риск за хора с пейс-мейкър!	Да се пази от слънчеви лъчи.	Не изхвърляйте заедно с обикновените домашни отпадъци!	Внимание! Прочетете уръгването
UA	Під час морозів морозов прибор необхідно демонтувати	Небезпека для осіб з кардіостимулятором	Пристрій повинен бути захищений від прямого сонячного випромінювання.	Не виводіть разом із побутовим сміттям!	Увага! Читайте інструкцію.
RU	При наступлении морозов прибор демонтировать на глубину до 1 м	Возможна опасность для лиц с кардиостимулятором!	Защитить от прямого воздействия солнечных лучей.	Не утилизировать вместе с домашним мусором!	Внимание! прочитайте инструкцию по использованию
CN	防止、防水水深至 1 米	可能对带有心脏起搏器人员有危险!	防止阳光直射。	不要同普通的家庭垃圾一起丢弃!	注意。 请阅读使用说明书。

Aquarius Universal				
Pos.	600	1000	1500	2000
1	23641	23641	23641	23641
2	26192	26193	26194	26195
3	26186	26187	26187	26189
4	26190	26191	26191	26191

