

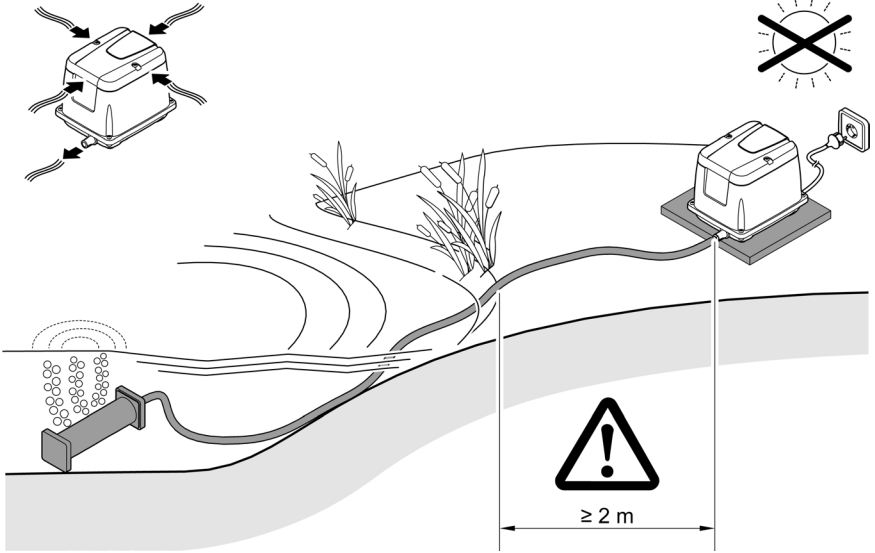
Oase



AquaOxy

2500, 5000, 7500

A



AOY0022

⚠ WARNING

- ▶ Disconnect all electrical units in the water from the power supply before reaching into the water. Otherwise there is a risk of injuries or death by electrocution.
 - ▶ This unit can be used by children aged 8 and above and by persons with reduced physical, sensory or mental capabilities or lack of experience and knowledge if they are supervised or have been instructed on how to use the unit in a safe way and they understand the hazards involved. Do not allow children to play with the unit. Only allow children to carry out cleaning and user maintenance under supervision.
-

Table of Contents

Safety information.....	8
Intended use.....	9
Product description.....	9
Installation and connection.....	10
Commissioning/start-up.....	10
Switching ON/OFF	10



A more detailed operating manual is available for download as a PDF online:
www.oase.com/manual

The following additional topics are addressed in the operating manual:

- Symbols on the unit
- Cleaning and maintenance, storage/winter-proofing, malfunction repair
- Technical data, wear parts, spare parts, disposal

Safety information

Electrical connection

- Special regulations apply to electrical installation in outdoor areas. Only allow a qualified electrician to perform the electrical installation.
 - The qualified electrician has the required professional training, knowledge and skills to perform electrical installations in outdoor areas. The qualified electrician can detect potential risks and adheres to regional and national standards, regulations and directives.
 - For your own safety, please consult a qualified electrician.
- Only connect the unit if the electrical data of the unit and the power supply match.
- Only plug the unit into a correctly installed outlet. Ensure that the unit is fused for a rated fault current of max. 30 mA by means of a fault current protection device.
- Extension cables and power distributors (e.g. outlet strips) must be suitable for outdoor use (splash-proof).
- Protect open plugs and sockets from moisture.

Safe operation

- Do not use the unit, if electrical lines or the housing are damaged.
- A damaged connection cable cannot be replaced. Dispose of the unit.
- The impeller unit inside the unit contains a magnet with a strong magnetic field that may affect the operation of pacemakers or implantable cardioverter defibrillators (ICDs). Keep the magnet at least 0.66 ft (0.2 m) away from any implant.
- Do not carry or pull the unit by its power cable.
- Never make technical modifications to the unit.
- Only carry out work on the unit that is described in this manual.
- Only use original spare parts and accessories.
- Route lines so that they are protected from damage and nobody can trip over them.
- Should problems occur, please contact the authorized customer service or OASE.

Intended use

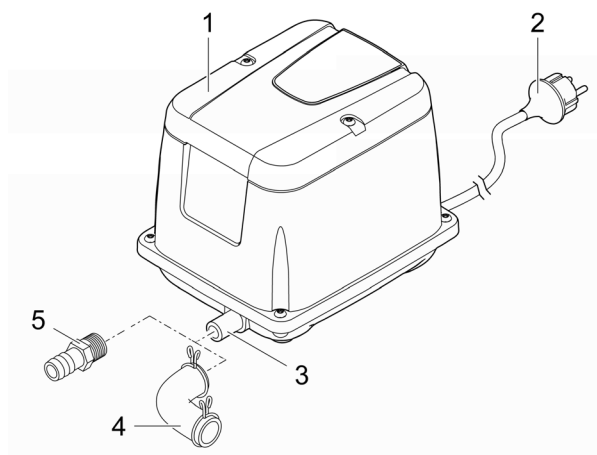
Only use the product described in this manual as follows:

- For enriching normal pond water with oxygen.
- In compliance with the technical specifications.

The following restrictions apply to the unit:

- Do not use for commercial or industrial purposes.

Product description



AOY0021

- | | |
|---|---|
| 1 | AquaOxy |
| 2 | Power plug |
| 3 | Air outlet |
| 4 | Hose nozzle <ul style="list-style-type: none"> • For connecting a hose with an inside diameter of 0.31 in. (8 mm). |
| 5 | Rubber adapter with two hose clamps <ul style="list-style-type: none"> • For connecting the AquaOxy air manifold (accessories), for example. |

Installation and connection

WARNING

The unit carries hazardous electric voltage and must not be installed immediately adjacent to water. Otherwise, there is a risk of injuries or death by electrocution.

- ▶ Install the the unit in a flood-protected position at a distance of at least 6.6 ft (2 m) from the water.

NOTE

- ▶ Make sure that no water is flowing into the unit through the hoses as this can damage the unit.
- ▶ If the unit is switched off at intervals (e.g. via a timer) for several hours at a time, condensate can form on the inside of the unit, which can damage it. For interval operation, therefore, only install the unit in an enclosed space at room temperature.

- ① The metal components inside the unit may corrode at high humidity levels. This is a normal occurrence and not a basis for a claim within the framework of the guarantee or warranty.

How to proceed:

A

- Install the unit horizontally on a firm, mud-free surface. Ensure that the unit is securely positioned.
- Do not place the unit in direct sunlight as this can cause it to heat up significantly. Use a protective cover if necessary.
- The air inlet gap around the perimeter of the lid must not be covered over.
- Position the aerator element (accessory) in the desired positions inside the pond.
- Lay the air hose so that it is protected from damage and nobody can trip over it.
- Keep air hoses as short as possible to optimize the aeration effect.

Commissioning/start-up

Switching ON/OFF

- **Switching on:** Plug the power plug into the outlet.
 - The unit switches on immediately.
- **Switching off:** Pull the power plug from the outlet.

OASE GmbH

Tecklenburger Straße 161
48477 Hörstel, Germany



+49 (0) 5454 80-0



+49 (0) 5454 80-9353



info@oase.com