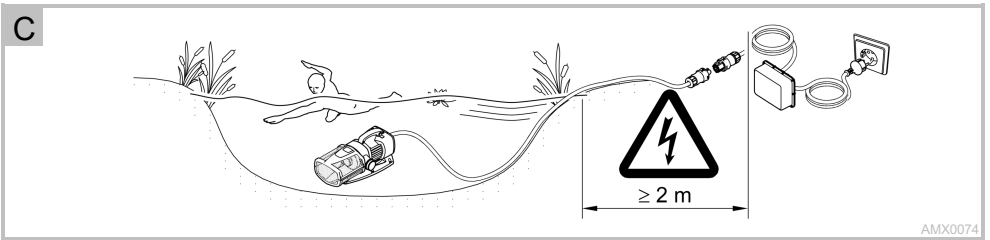
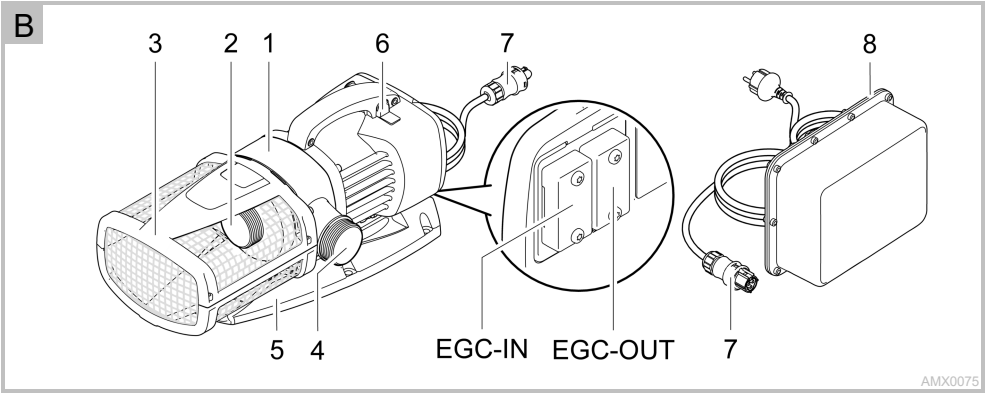
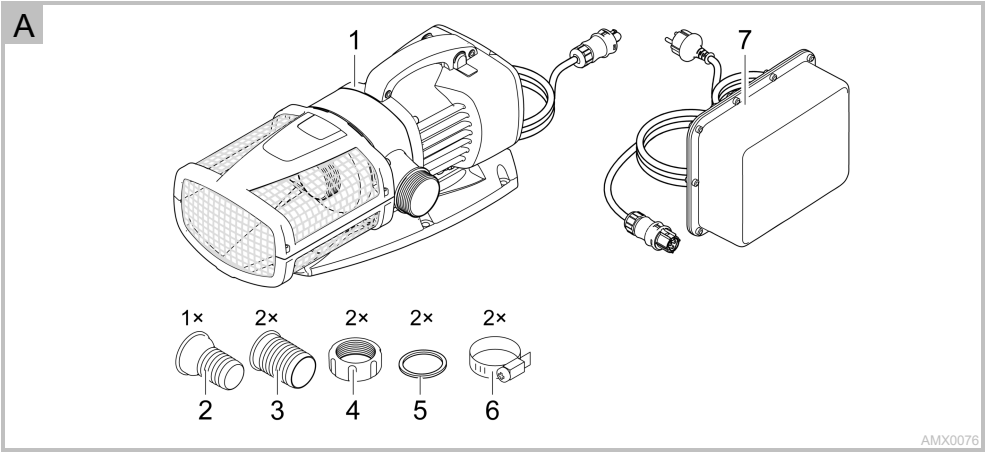




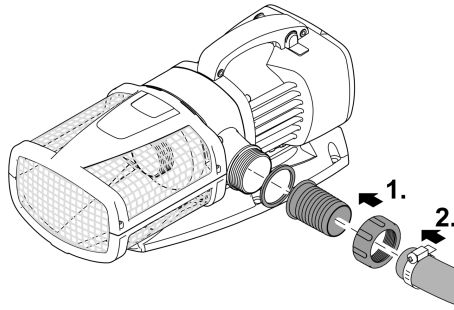
AquaMax Eco Expert 20000 / 27000 / 12 V





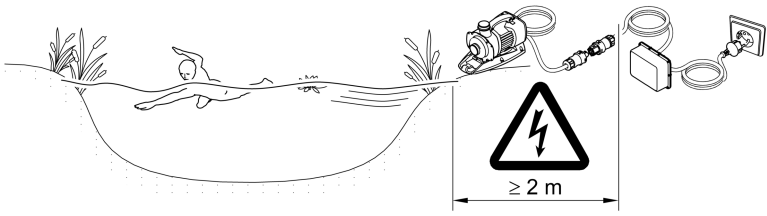


D



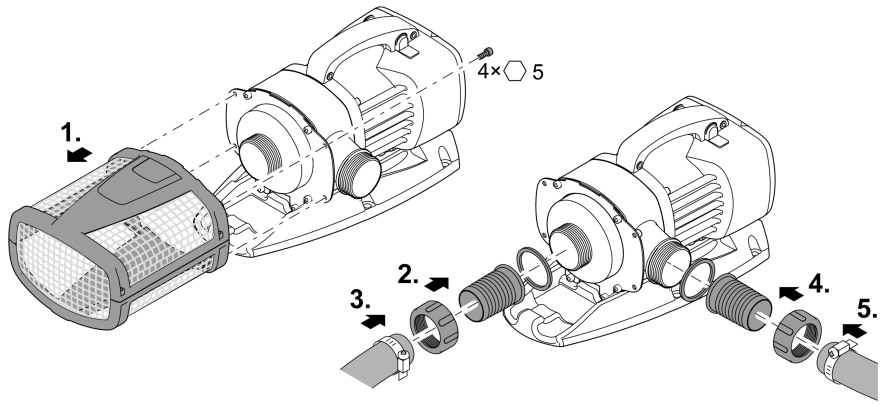
AMX0021

E

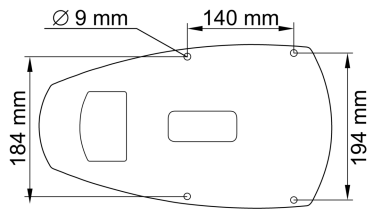


AMX0079

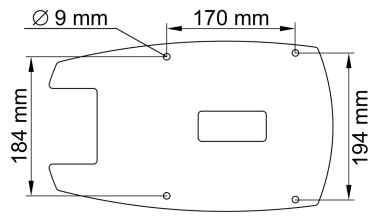
F



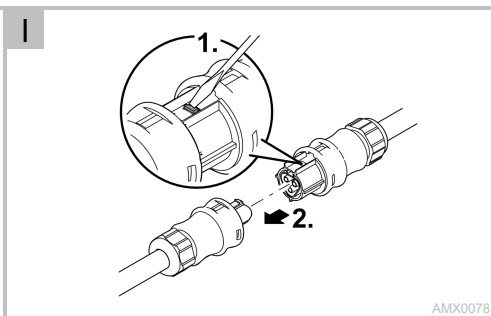
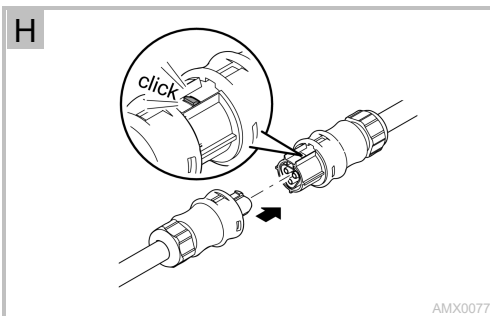
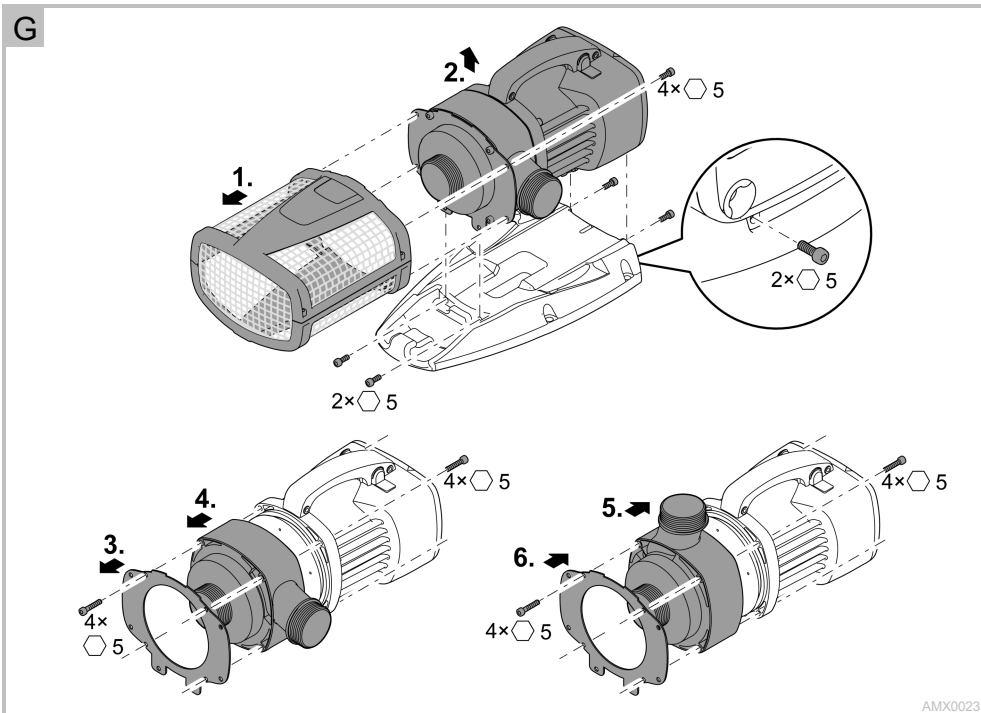
6. AquaMax Eco Expert 20000 / 12 V



AquaMax Eco Expert 27000 / 12 V

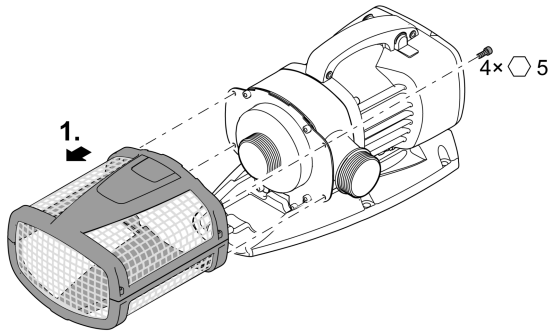


AMX0073



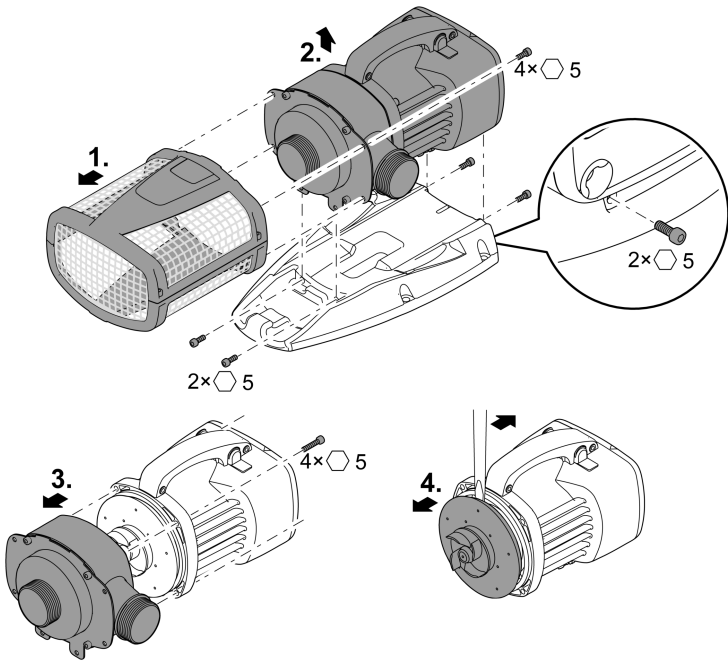


J

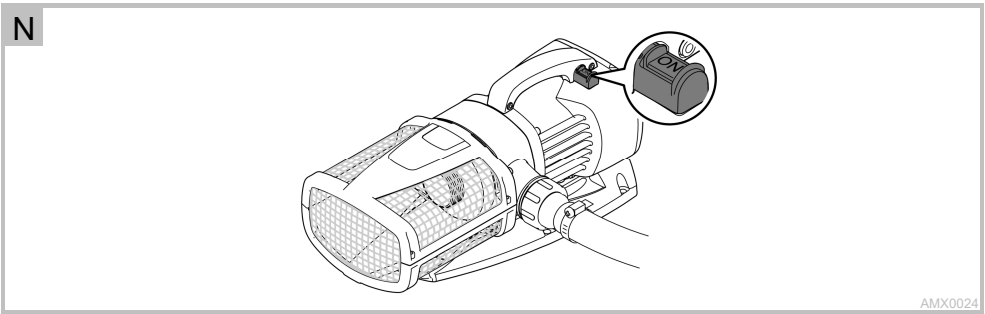
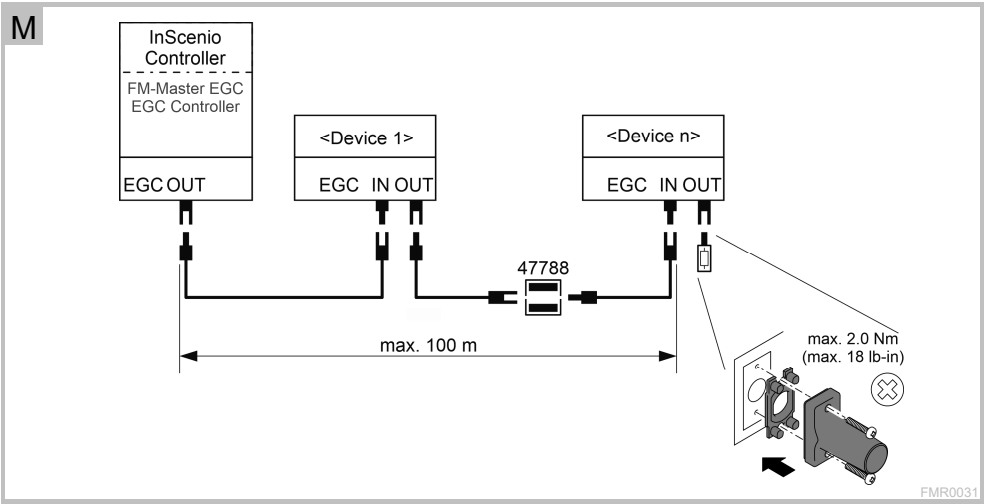
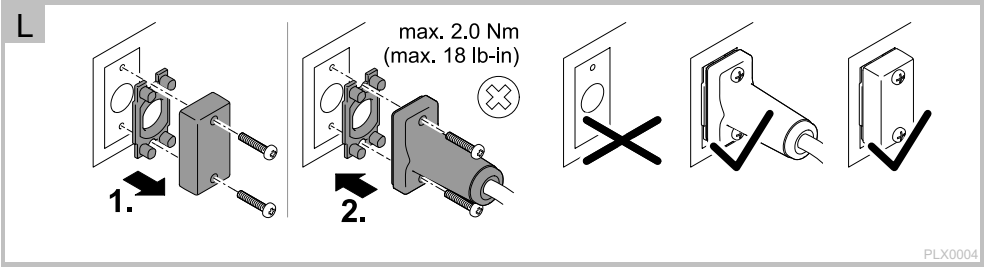


AMX0022

K



AMX0026



Translation of the original Operating Instructions

WARNING

- This unit can be used by children aged 8 and above and by persons with reduced physical, sensory or mental capabilities or lack of experience and knowledge if they are supervised or have been instructed on how to use the unit in a safe way and they understand the hazards involved.
- Do not allow children to play with the unit.
- Only allow children to carry out cleaning and user maintenance under supervision.
- Ensure that the unit is fused for a rated fault current of max. 30 mA by means of a fault current protection device.
- Only connect the unit if the electrical data of the unit and the power supply correspond. The unit data is to be found on the unit type plate, on the packaging or in this manual.
- Possible death or severe injury from electrocution! Before reaching into the water, disconnect all electrical units in the water from the mains.
- A damaged connection cable cannot be replaced. Dispose of the unit.

Safety information

Electrical connection

- Electrical installations must meet the national regulations and may only be carried out by a qualified electrician.
- A person is regarded as a qualified electrician if, due to his/her vocational education, knowledge and experience, he or she is capable of and authorised to judge and carry out the work commissioned to him/her. This also includes the recognition of possible hazards and the adherence to the pertinent regional and national standards, rules and regulations.
- For your own safety, please consult a qualified electrician.
- Switch off all units in the aquarium or disconnect the power plugs of all units before reaching into the water.
- Extension cables and power distributors (e.g. outlet strips) must be suitable for outdoor use (splash-proof).
- Protect open plugs and sockets from moisture.
- Only connect the unit to a correctly fitted socket.

Safe operation

- The impeller unit in the pump contains a magnet with a strong magnetic field that may affect the operation of pacemakers or implantable cardioverter defibrillators (ICDs). Always keep magnets at least 0.2 m away from implanted devices.
- Never operate the unit if an electrical cable is defective!
- Never operate the unit if the housing is defective!
- Never carry or pull the unit by the electrical cable.
- Never carry out technical changes to the unit.
- Only carry out work on the unit that is described in this manual. If problems cannot be overcome, please contact an authorised customer service point or, if in doubt, the manufacturer.
- Route cables such that they are protected from damage and do not present a tripping hazard.
- Only use original spare parts and accessories for the unit.
- Only open the unit housing or its attendant components if this is explicitly specified in the operating instructions.

Information about this operating manual

You made a good choice with the purchase of this product **AquaMax Eco Expert 20000 / 27000 / 12 V**.

Prior to commissioning the unit, please read the instructions of use carefully and fully familiarise yourself with the unit. Ensure that all work on and with this unit is only carried out in accordance with these instructions.

Adhere to the safety information for the correct and safe use of the unit.

Keep these instructions in a safe place! Please also hand over the instructions when passing the unit on to a new owner.

Warnings used in these instructions

The warning information is categorised by signal words, which indicate the extent of the hazard.



NOTE

Indicates a possibly dangerous situation, which could lead to damage to property or the environment, if not avoided.



TIP

Useful tip.

Cross-references used in these instructions

- A reference to a figure, e.g. figure A.
- Reference to another section.

Scope of delivery

<input type="checkbox"/> A	AquaMax Eco Expert 20000 / 27000 / 12 V
1	Filter pump
2	38 mm (1½ ") hose connector
3	50 mm (2 ") hose connector
4	Union nut 50 mm (2 ") for fastening the hose connector
5	Flat seal 45 × 33 × 3 mm for the hose connector
6	Hose clip 40 ... 60 mm
7	Switching power pack

Product Description

AquaMax Eco Expert 20000 / 27000 / 12 V is a filter and water course pump with an electronically adjustable flow rate. The pump is suitable for dry or submersed installation. It is suitable for use in swimming ponds.

Easy Garden Control System (EGC)

This product can communicate with the Easy Garden Control-System (EGC). EGC allows convenient control in the garden and pond via smartphone or tablet, and ensures maximum convenience and reliability. Information about EGC and the possibilities it offers can be found at www.oase.com/egc-start.

Seasonal Flow Control (SFC)

With the SFC function activated, the pump automatically optimises and reduces the amount of water and the delivery head by up to 50%. Thanks to the SFC function the pump adapts to the individual pond ecology throughout the year and supports the pond biology through temperature-dependent circulation (winter mode, transition mode and summer mode).

The SFC function is switched on and off at the pump. The SFC function reduces the power consumption of the pump; without SFC, the pump permanently operates at maximum throughput. The seasonal flow control does not function when the pump is installed on land (dry installation). If a skimmer, satellite filter or Oase InScenio control unit is used, we recommend deactivating the SFC depending on the unit.

Intended use

Only use the product described in this manual as follows:

- For pumping normal pond water for filter systems, waterfall systems and water course systems.
- For use in swimming ponds if the national regulations for installers are met.
- Only operate with the original switching power pack.
- Use for private purposes only.
- Operate in accordance with instructions.
- Operation under observance of the permissible water quality. (→ Water quality)

The following restrictions apply to the unit:

- Never use the unit with fluids other than water.
- Never run the unit without water.
- Do not use in conjunction with chemicals, foodstuff, easily flammable or explosive substances.
- Do not connect to the domestic water supply.
- This is a class A unit. The unit may cause malfunctions in living environments. It is the user's responsibility to take suitable countermeasures.

Unit configuration

<input type="checkbox"/> B	AquaMax Eco Expert 20000 / 27000 / 12 V
1	Pump casing <ul style="list-style-type: none"> The position of the outlet can be changed by fitting the pump casing rotated through 90°.
2	Inlet (suction socket)
3	Filter basket <ul style="list-style-type: none"> Filters coarse dirt and leaves when installed in a submersed position.
4	Outlet (pressure socket)
5	Stand <ul style="list-style-type: none"> Ensures secure and stable positioning of the pump. Can be firmly bolted to the ground.
6	Switch for switching on/off the SFC-function (Seasonal Flow Control)
7	Connection line, plug connector
8	Switching power pack <ul style="list-style-type: none"> Pump power supply
EGC IN/OUT	EGC connection <ul style="list-style-type: none"> Connection for Eco Control or for integration into an EGC-network (optional). <p>Important: Moisture at the connections can damage the pump.</p> <ul style="list-style-type: none"> Only remove the protection caps for connecting the Connection Cable EGC lines or terminal resistor. Ensure that the rubber seals are clean and fit exactly. Replace damaged rubber seals.

Installation and connection

The pump is either installed submersed (in water) or dry (outside the water). The switching power pack is only suitable for dry installation.

The use of the pump is only permitted with observance of the specified water quality. (→ Water quality)

- Pool water or salt water can impair the appearance of the unit. Such impairments are excluded from the guarantee.



NOTE

The pump will be destroyed, if water penetrates the plug connectors of the connection line.

- Do not undo the union nuts on the plug connectors.



NOTE

If the pump is used for conveying excessively soiled water, the impeller unit will be subject to increased wear and will require earlier replacement.

- Thoroughly clean the pond or pool before installing the pump.
- Install the pump approx. 200 mm above the ground of the pond to prevent excessively soiled water from being drawn into the pump.

Submersed installation of the pump

Adhere to the following conditions for dry installation:

C

- Ensure that the switching power pack is installed at least 2 m from the pond.
- Ensure that the plug connection of the connection line is not in the water.
- Only operate the pump when it is below the water surface level.
- Only operate the pump with the filter basket installed.
- Ensure that the pump is in a secure and stable position.
- The position of the pump outlet can be changed. The pump casing has to be turned to achieve a different position. (→ Turning the pump casing to achieve a different position)

Connecting the hose

- On the outlet, use the 50 mm (2") hose connector or the 38 mm (1½") hose connector.

How to proceed:

- D
1. Screw the stepped hose adapter including union nut and sealing ring to the outlet.
 2. Slip the hose clip over the hose, fit the hose onto the hose connector and secure with the hose clip.

Dry installation of the pump

AquaMax Eco Expert 20000 / 12 V

- Hoses or pipes can be connected at the inlet and outlet. Recommendation:
 - Up to 5 m length: Use 50 mm (2") hose connectors and hoses. (→ Connecting the hose)
 - From 5 m length: Use DN 75 or DN 100 pipes. (→ Connecting the pipe)

AquaMax Eco Expert 27000 / 12 V

- A DN75/100 pipe is connected to the inlet. A hose or a pipe can be connected to the outlet. Recommendation:
 - Up to 5 m length: Use 50 mm (2") hose connectors and hoses. (→ Connecting the hose)
 - From 5 m length: Use DN 75 or DN 100 pipes. (→ Connecting the pipe)

Adhere to the following conditions for dry installation:

- E
- Ensure that the switching power pack is installed at least 2 m from the pond.
 - Ensure that the plug connection of the connection line is not in the water.
 - Do not expose the pump to direct sunlight.
 - Only operate the pump when it is below the water surface level.
 - Ensure that the pump is in a secure and stable position.
 - The position of the pump outlet can be changed. The pump casing has to be turned to achieve a different position. (→ Turning the pump casing to achieve a different position)
 - Adhere to the maximum permissible ambient temperature. Ensure forced cooling if necessary. (→ Technical data)

Connecting the hose

How to proceed:

- F
1. Remove the screws for fastening the filter basket and remove the filter basket.
 2. Screw the hose connector with union nut and seal onto the inlet.
 3. Slip the hose clip over the hose, fit the hose onto the hose connector and secure with the hose clip.
 4. Screw the hose connector with union nut and seal onto the outlet.
 5. Slip the hose clip over the hose, fit the hose onto the hose connector and secure with the hose clip.
 6. Fasten the pump to a suitable base using screws (not included in the scope of delivery).

Connecting the pipe

- To connect the pipes, one PVC transition sleeve each is required. PVC transition sleeves are available in specialised shops.

How to proceed:

- Screw the PVC transition sleeve and seal onto the outlet.
- Attach the PVC transition sleeve to the pipe.

Turning the pump casing to achieve a different position

How to proceed:

- G
1. Remove the screws for fastening the filter basket and remove the filter basket.
 2. Remove the screws for fastening the stand and remove the stand.
 3. Remove the four screws for fastening the retaining plate and remove the retaining plate.
 4. Remove the four screws and take off the pump casing.
 5. Turn the pump casing counterclockwise through 90°, fit it onto the motor and fasten with four screws.
 - The pump casing can only be mounted in the two positions indicated.
 6. Fit the retaining plate onto the pump casing and fasten with the four screws.
 7. Fit the stand and filter basket in the reverse order.

Connecting the switching power pack to the pump



NOTE

The pump will be destroyed, if water penetrates the plug connectors of the connection line.

- Do not undo the union nuts on the plug connectors.
-

Once the plug connectors of the filter pump and switching power pack have been inserted and have engaged, they can only be disconnected by means of a screw driver. (→ Removing the switching power pack)

How to proceed:

H

- Connect the plug connector of the pump with the plug connector of the switching power pack.
 - The stud on the plug connector of the pump engages with the plug connector of the switching power pack.
 - The plug connection can later be released with a tool. (→ Removing the switching power pack)

Eco Control Connecting

As an option, Eco Control can be connected to the pump to control it.

- The control unit Eco Control (47673) is available as an accessory for Eco Expert pumps.
- If the pump is integrated in an EGC network, connecting Eco Control is not possible.

How to proceed:

L

1. Remove the protection cap from EGC-IN.
2. Fit the plug connector of the cable and secure with the two screws (max. 2.0 Nm).
 - Ensure that the rubber seal is clean and fits exactly.
 - Replace the rubber seal if damaged.

Integrating the pump in the EGC network



NOTE

The device will be destroyed if water penetrates the EGC sockets.

- Close the EGC sockets with EGC plugs or a protection cap.
-

As an option, the pump can be integrated in an EGC network. In an EGC network, the InScenio FM-Master EGC or InScenio EGC-Controller and all EGC-compatible devices are connected by means of a Connection Cable EGC. A terminal resistor has to be fitted to the EGC-OUT of the last EGC compatible unit in order to terminate the network.

- The EGC connection cable is available as an accessory in the lengths 2.5 m (47038), 5 m (47039) and 10 m (47040).
- Ensure the correct connection.

How to proceed:

L, M

1. Remove the protection cap from EGC-IN.
2. Fit the plug connector of the EGC connection cable and secure with the two screws (max. 2.0 Nm).
 - Ensure that the rubber seal is clean and fits exactly.
 - Replace the rubber seal if damaged.
3. Remove the protection cap from EGC-OUT, fit the terminal resistor and secure it with the two screws (max. 2.0 Nm) or another EGC compatible unit.
 - No Connection Cable EGC is connected to EGC-OUT on the last unit in the EGC network. The terminal resistor has to be fitted to this EGC-OUT so that the EGC network is correctly terminated.
 - The terminal resistor is included in the delivery scope of the InScenio FM-Master EGC or EGC-Controller.

Commissioning/start-up



NOTE

The unit will be destroyed if it is operated with a dimmer. It contains sensitive electrical components.

- Do not connect the unit to a dimmable power supply.

When started up, the pump automatically performs a pre-programmed self-test (**Environmental Function Control (EFC)**). The pump detects if it is running dry / blocked or submerged. The pump switches off automatically after approx. 90 seconds if it runs dry/is blocked. In the event of a malfunction, disconnect the power supply and "flood the pump" or remove the obstacle. Afterwards, the unit can be restarted.

Switching on: Connect the unit to the mains. The unit switches on immediately.

Switching off: Disconnect the unit from the mains.

Seasonal Flow Control (SFC)

How to proceed:

N

- Press and slide the switch.
 - ON is indicated on the switch. The function is activated.
 - ON is concealed on the switch. The function is deactivated.

Remedy of faults

Malfunction	Cause	Remedy
Pump does not start	No mains voltage	<ul style="list-style-type: none"> • Check the mains voltage. • Check the plug connection of the connection line • Check supply lines.
Pump does not deliver.	Filter housing clogged	<ul style="list-style-type: none"> • Clean (→ Cleaning the device)
	Excessively soiled water	<ul style="list-style-type: none"> • Clean the pump. The pump automatically switches on again once the motor has cooled down.
Insufficient delivered quantity	The impeller unit is blocked	<ul style="list-style-type: none"> • Disconnect the power supply and remove obstacle. Then switch the pump on again.
	Filter housing clogged	<ul style="list-style-type: none"> • Clean (→ Cleaning the device)
Pump switches off after a short running period.	Excessive loss in the supply lines	<ul style="list-style-type: none"> • Select larger hose diameter • Reduce hose length to reduce frictional loss • Avoid unnecessary connection elements
	Excessively soiled water	<ul style="list-style-type: none"> • Clean pump (→ Cleaning the device). The pump automatically switches on again once the motor has cooled down.
	Water temperature too high	<ul style="list-style-type: none"> • Note maximum water temperature of +35°C. The pump automatically switches on again once the motor has cooled down.
	The impeller unit is blocked	<ul style="list-style-type: none"> • Disconnect the power supply and remove obstacle. Then switch the pump on again.
	Pump has run dry.	<ul style="list-style-type: none"> • Flood the pump. Fully submerge the pump for operation in the pond.
	Switching power pack too warm	<ul style="list-style-type: none"> • Adhere to max. ambient temperature. (→ Technical data). The switching power pack automatically shuts down, if it gets too warm. • After cool-down: Disconnect power plug and switch the unit on again. (→ Commissioning/start-up)

Maintenance and cleaning

Removing the switching power pack

If necessary, the plug connection of the connection line can be released, if the switching power pack is to be removed for cleaning and maintenance.

How to proceed:

I

1. Use a screw driver (3 mm blade) to carefully push down the engaged stud.
2. Pull the plug connector apart.

Cleaning the device



TIP

Recommendation regarding cleaning:

- Clean the unit as required but at least twice a year.
- When cleaning the pump, pay particular attention to the cleaning of the impeller unit and pump housing.

- Do not use aggressive cleaning agents or chemical solutions as they could attack the housing or impair the function of the unit.
- Recommended cleaning agent for removing stubborn limescale deposits:
 - Pump cleaning agent PumpClean from OASE.
 - Vinegar- and chlorine-free household cleaning agent.
- After cleaning, thoroughly rinse all parts in clean water.

How to proceed:

J

1. Remove the screws for fastening the filter basket and remove the filter basket.
2. Clean all parts.
 - Use a soft brush.
 - Rinse parts in clean water.
3. Reassemble the unit in the reverse order.

Replacing the impeller unit



NOTE

The impeller unit contains strong magnets that attract magnetic particles (e.g. iron filings).

- All particles must be removed from the impeller unit before reassembly. Any remaining particles can cause irreparable damage to the impeller unit and motor block.

Prerequisite:

- The pipes/hoses at the inlet and outlet are removed.

How to proceed:

K

1. Remove the screws for fastening the filter basket and remove the filter basket.
2. Remove the screws for fastening the stand and remove the stand.
3. Remove the four screws and take off the pump casing.
4. Pull out the impeller unit and replace if necessary.
 - Use a wide-blade screwdriver to carefully lever out the impeller unit if necessary.
5. Reassemble the unit in the reverse order.



TIP

The impeller unit is guided in the motor block by a bearing. This bearing is a wear part and should be changed at the same time as the impeller unit.

- Changing the bearing requires specialist knowledge and tools. Have the bearing changed by your OASE specialist dealer or send the pump to OASE.

Wear parts

- Impeller unit
- Bearing in the motor block

Storage/overwintering

The unit is frost resistant to minus 20 °C. Should you store the unit outside of the pond, clean it thoroughly with a soft brush and water, check it for damage, then store immersed in water or filled with water. Do not immerse the power plug in water!

Repair

Repair is not possible in the following cases. The pump has to be replaced.

- If there is no replacement part approved by OASE for a defective component.
- If an electric cable permanently connected to the pump becomes damaged or is shortened.

If repair work by OASE becomes necessary, always send both the pump and the switching power pack to OASE or give them to your specialist retailer.

Disposal



NOTE

Do not dispose of this unit with domestic waste.



- Render the unit unusable beforehand by cutting the cables and dispose of the unit via the return system provided for this purpose.
-

Spare parts



The use of original parts from OASE ensures continued safe and reliable operation of the unit. Please visit our website for spare parts drawings and spare parts.





www.oase.com/spareparts

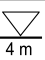



AquaMax Eco Expert											
	20000 / 12 V	12 V DC	—	18 A	30 ... 260 W	IP 68	≤4 m	—	8 m	490 × 240 × 210 mm	11.4 kg
	27000 / 12 V	12 V DC	—	18 A	30 ... 260 W	IP 68	≤4 m	—	8 m	540 × 250 × 220 mm	14.3 kg
	20000 / 12 V 27000 / 12 V	220 ... 240 V AC	12 V DC	—	30 ... 260 W	IP 44	—	2 m	0.5 m	190 × 245 × 85 mm	3.2 kg
DE		Anschlussspannung	Ausgangsspannung	Stromaufnahme	Leistungsaufnahme gesamt	Schutzart	Tauchtiefe	Länge Netzkabel	Länge 12-V-Kabel	Abmessungen	Gewicht
EN		Mains voltage	Output voltage	Current consumption	Total power consumption	Protection type	Immersion depth	Length of power cable	Length of 12-V-cable	Dimensions	Weight
FR		Tension de raccordement	Tension de sortie	Consommation de courant	Puissance absorbée totale	Indice de protection	Profondeur d'immersion	Longueur du câble secteur	Longueur de câble 12 V	Dimensions	Poids
NL		Aansluitspanning	Uitgangsspanning	Stroomverbruik	Opgenomen vermogen totaal	Beschermingsgraad	Dompeldiepte	Lengte netspanningskabel	Lengte 12 V-kabel	Afmetingen	Gewicht
ES		Tensión de conexión	Tensión de salida	Consumo de corriente	Consumo de potencia total	Categoría de protección	Profundidad de inmersión	Longitud cable de red	Longitud cable de 12 V	Dimensiones	Peso
PT		Tensão de conexão	Tensão de saída	Consumo de corrente	Consumo total de energia	Grau de protecção	Profundidade de imersão	Comprimento cabo eléctrico	Comprimento cabo 12 V	Dimensões	Peso
IT		Tensione di allacciamento	Tensione di uscita	Assorbimento di corrente	Potenza assorbita complessiva	Grado di protezione	Profondità d'immersione	Lunghezza cavo di rete	Lunghezza cavi 12 V	Dimensioni	Peso
DA		Tilslutningsspænding	Udgangsspænding	Strømforbrug	Effektforbrug samlet	Beskyttelsesgrad	Neddykningsdybde	Længde på netkabel	Længde på 12-V-kabel	Dimensioner	Vægt
NO		Nettspenning	Utgangsspenning	Strømforbruk	Samlet effektforbruk	Kapslingsgrad	Nedsenkingsdybde	Lengde nettkabel	Lengde 12-V-kabel	Mål	Vekt
SV		Anslutningsspänning	Utgångsspänning	Strömförbrukning	Effektförbrukning totalt	Kapslingsklass	Doppningsdjup	Nätkabelängd	Längd 12-V-kabel	Mått	Vikt
FI		Litântäjännite	Lähtöjännite	Virrankulutus	Kokonaistehonotto	Koteloinsuulokka	Uputussyvyys	Verkköjohdon pituus	Pituus 12 V-kapeli	Mitat	Paino
HU		Csatlakoztatási feszültség	Kimeneti feszültség	Áramfelvétel	Összes teljesítményfelvétel	Védettségi fokozat	Merülési mélység	Hálózati kábel hossza	12 V-os kábel hossza	Méreték	Súly
PL		Napięcie przyłączeniowe	Napięcie wyjściowe	Pobór prądu	Całkowity pobór mocy	Stopień ochrony	Głębokość zanurzenia	Długość kabla sieciowego	Długość kabla 12 V	Wymiary	Ciężar
CS		Připojovací napětí	Výstupní napětí	Příkon	Celkový příkon	Druh ochrany	Hloubka ponoření	Délka síťového kabelu	Délka kabelu 12V	Rozměry	Hmotnost
SK		Napájacie napätie	Výstupné napätie	Prikon prúdu	Celkový príkon	Trieda krytia	Hĺbka ponorenia	Dĺžka sieťového kábla	Dĺžka kábla 12 V	Rozmery	Hmotnosť
SL		Priključna napetost	Izhodna napetost	Odjem toka	Skupna poraba moči	Razred zaščite	Potopna globina	Dolžina omrežnega kabla	Dolžina kabla 12 V	Dimenzije	Teža
HR		Priključni napon	Izlazni napon	Apsorpcija struje	Ukupna snaga	Razred zaštite	Dubina uranjanja	Duljina električnog kabla	Duljina 12 V kabla	Dimenzije	Masa
RO		Tensiune de conexiune	Tensiune de pornire	Curent absorbit	Total putere consumată	Clasă protecție	Adâncime de imersie	Lungimea cablului de rețea	Lungime cablu 12 V	Dimensiuni	Masă
BG		Захранващо напрежение	Исходно напрежение	Консумация на ток	Общо консумирана енергия	Вид защита	Дълбочина на потапяне	Дължина на мрежовия кабел	Дължина на 12-V кабел	Размери	Тегло
UK		Напруга мережі живлення	Напруга на виході	Споживання струму	Загальна споживана потужність	Ступінь захисту	Глибина занурення	Довжина мережевого кабелю	Довжина кабелю 12 В	Розміри	Вага

AquaMax Eco Expert											
	20000 / 12 V	12 V DC	—	18 A	30 ... 260 W	IP 68	≤4 m	—	8 m	490 × 240 × 210 mm	11.4 kg
	27000 / 12 V	12 V DC	—	18 A	30 ... 260 W	IP 68	≤4 m	—	8 m	540 × 250 × 220 mm	14.3 kg
	20000 / 12 V 27000 / 12 V	220 ... 240 V AC	12 V DC	—	30 ... 260 W	IP 44	—	2 m	0.5 m	190 × 245 × 85 mm	3.2 kg
RU		Напряжение питающей сети	Напряжение на выходе	Потребление тока	Суммарная потребляемая мощность	Класс защиты	Глубина погружения	Длина сетевого кабеля	Длина кабеля на 12 В	Размеры	Вес
CN		连接电压	输出电压	电流消耗	总功率消耗	防护等级	浸入深度	电缆长度	12 V 电缆长度	尺寸	重量

AquaMax Eco Expert											
	20000 / 12 V	≤19300 l/h	4.6 m	G2	G2	+30 °C		+40 °C			
	27000 / 12 V	≤27000 l/h	4.6 m	G2½	G2	+30 °C		+40 °C			
	20000 / 12 V 27000 / 12 V	—	—	—	—	+30 °C		+40 °C			
DE	Förderleistung	Wassersäule	Anschluss Saugseite	Anschluss Druckseite	Trockenaufstellung: Max. zulässige Umgebungstemperatur bei natürlicher Konvektion			Trockenaufstellung: Max. zulässige Umgebungstemperatur bei Zwangskühlung			
EN	Max. flow rate	Head height	Connection, suction side	Connection, pressure side	Dry installation: Max. admissible ambient temperature with natural convection			Dry installation: Max. admissible ambient temperature for forced cooling			
FR	Capacité de refoulement	Colonne d'eau	Raccordement côté aspiration	Raccord côté refoulement	Installation à sec : Température ambiante max. admissible pour une convection naturelle			Installation à sec : Température ambiante max. admissible en cas de refroidissement forcé			
NL	Pompcapaciteit	Waterkolom	Aansluiting zuigzijde	Aansluiting drukzijde	Droge opstelling: Max. toelaatbare omgevingstemperatuur bij natuurlijke convectie			Droge opstelling: Max. toelaatbare omgevingstemperatuur Bij geforceerde koeling			
ES	Capacidad de elevación	Columna de agua	Conexión lado de aspiración	Conexión lado de presión	Emplazamiento en seco: Temperatura máxima permisible del entorno con convección natural			Emplazamiento en seco: Temperatura máxima permisible del entorno con refrigeración forzada			
PT	Débito	Coluna de água	Conexão lado de aspiração	Conexão lado de pressão	Posicionamento fora da água: Temperatura ambiente máxima permitida com convecção natural			Posicionamento fora da água: Temperatura ambiente máxima permitida com refrigeração forçada			
IT	Portata	Colonna d'acqua	Attacco lato di aspirazione	Attacco lato di mandata	Installazione a secco: Temperatura ambiente max. ammissibile con convezione naturale			Installazione a secco: Temperatura ambiente max. ammissibile con raffreddamento forzato			
DA	Pumpekapacitet	Vandsøjle	Tilslutning, sugeside	Tilslutning, trykside	Tør opstilling: Maks. tilladt omgivelsestemperatur ved naturlig konvektion			Tør opstilling: Maks. tilladt omgivelsestemperatur ved tvangskøling			
NO	Kapasitet	Vannsøyle	Tilkobling sugeside	Tilkobling trykkside	Tørr montering: Maks. tillatt omgivelsestemperatur ved naturlig konveksjon			Tørr montering: Maks. tillatt omgivelsestemperatur Ved tvungen kjøling			
SV	Matningsprestanda	Vattenpelare	Anslutning sugside	Anslutning på trykksidan	Installation på torr plats: Max. tillåten omgivningstemperatur vid naturlig konvektion			Installation på torr plats: Max. tillåten omgivningstemperatur vid tvångskylning			

AquaMax Eco Expert							
	20000 / 12 V	≤19300 l/h	4.6 m	G2	G2	+30 °C	+40 °C
	27000 / 12 V	≤27000 l/h	4.6 m	G2½	G2	+30 °C	+40 °C
	20000 / 12 V 27000 / 12 V	—	—	—	—	+30 °C	+40 °C
FI	Pumpun teho	Vesipylväs	Imupuolen liitäntä	Painepuolen liitäntä	Kuiva-asennus: Maksimaalinen sallittu ympäristön lämpötila luonnollisessa konvektiossa	Kuiva-asennus: Maksimaalinen sallittu ympäristön lämpötila pakkojäähdytyksessä	
HU	Szállítási teljesítmény	Vízoszlop	Szivóoldali csatlakozó	Nyomóoldali csatlakozás	Felállítás szárazon: Max. megengedett környezeti hőmérséklet természetes konvekció esetén	Felállítás szárazon: Max. megengedett környezeti hőmérséklet kényszerhűtés esetén	
PL	Wydajność pompowania	Stup wody	Przyłącze strona ssania	Przyłącze strony tłocznej	Ustawienie w miejscu suchym /nie w wodzie/: Max. dozwolona temperatura otoczenia przy naturalnej konwekcji	Ustawienie w miejscu suchym /nie w wodzie/: Max. dozwolona temperatura otoczenia przy chłodzeniu wymuszonym	
CS	Dopravný výkon	Vodní sloupec	Připojení strana sání	Připojka, strana výtaku	Instalace v suchu: Max. přípustná okolní teplota u přirozené konvekce	Instalace v suchu: Max. přípustná okolní teplota s nuceným chlazením	
SK	Dopravný výkon	Vodný stĺpec	Prípojka na strane nasávania	Prípojka na strane výtaku	Inštalácia na suchu: Max. prípustná teplota okolitého prostredia pri prirodzenom prúdení tepla	Inštalácia na suchu: Max. prípustná teplota okolitého prostredia pri nútenom chladení	
SL	Črpalna zmogljivost	Vodni steber	Priključna sesalna stran	Priključek na tlačni strani	Postavitev na suhem mestu: Maks. dovoljena okoljska temperatura pri naravni konvekciji	Postavitev na suhem mestu: Maks. dovoljena okoljska temperatura pri prisilnem hlajenju	
HR	Protočni kapacitet	Vodeni stup	Priključak usisne strane	Priključak na potisnoj strani	Postavljanje na suho mjesto: Maks. dopuštena temperatura okoline pri prirodnoj konvekciji	Postavljanje na suho mjesto: Maks. dopuštena temperatura okoline pri prisilnom hlađenju	
RO	Debit de pompare	Coloană de apă	Racord partea de aspiratie	Conexiune pe refluxare	Instalare uscată: Temperatură ambiantă max. admisă în cazul convecției naturale	Instalare uscată: Temperatură ambiantă max. admisă La răcire forțată	
BG	Дебит	Воден стълб	Извод - смукателна страна	Връзка напорна страна	Монтаж на сухо: Максимална допустима амбиентна температура в естествена конвекция	Монтаж на сухо: Максимална допустима амбиентна температура с принудително охлаждане	
UK	Продуктивність	Водяний стовп	Підключення зі сторони всмоктування	Підключення зі сторони нагнітання	Встановлення над водою: Максимально допустима температура навколишнього середовища при природній конвекції	Встановлення над водою: Максимально допустима температура навколишнього середовища при примусовому охолодженні	
RU	Производительность	Водяной столб	Подключение на стороне всасывания	Подключение на напорной стороне	Установка в сухом месте Макс. допустимая температура окружающей среды при естественной циркуляции воздуха	Установка в сухом месте Макс. допустимая температура окружающей среды при принудительном охлаждении	
CN	输送能力	水柱	吸入侧接头	压力侧接头	水外放置：允许的最大环境温度在自然对流情况下	水外放置：允许的最大环境温度强制冷却情况下	

DE	Empfohlene Wasserwerte	ph-Wert	Härte	Freies Chlor	Chloridgehalt	Salzgehalt	Gesamttrockenrückstand	Temperatur
EN	Recommended water quality	pH value	Hardness	Free chlorine	Chloride content	Salt content	Overall dry residue	Temperature
FR	Valeurs d'eau recommandées	Valeur pH	Dureté	Chlore libre	Teneur en chlorure	Teneur en sel	Résidu sec total	Température
NL	Aanbevolen waterwaarden	pH-waarde	Hardheid	Vrij chloor	Chlorideniveau	Zoutgehalte	Totaal droog residu	Temperatuur
ES	Valores recomendados del agua	Valor pH	Dureza	Cloro libre	Contenido de cloruro	Contenido de sal	Residuo seco total	Temperatura
PT	Valores recomendados para a água	Valor ph	Dureza	Cloro livre	Teor de cloreto	Teor de sais	Total de residuo seco	Temperatura
IT	Valori dell'acqua consigliati	Valore ph	Durezza	Cloro libero	Contenuto di cloruro	Contenuto di sale	Residuo secco complessivo	Temperatura
DA	Anbefalede vandværdier	ph-værdi	Hårdhed	Frit klor	Kloridindhold	Saltindhold	Total tør rest	Temperatur
NO	Anbefalte vannverdier	pH-verdi	Hardhet	Fritt klor	Kloridinnhold	Saltinnhold	Total tørkerest	Temperatur
SV	Rekommenderade vattenvärden	ph-värde	Hårdhet	Fritt klor	Kloridhalt	Salthalt	Total torr rest	Temperatur
FI	Suosittelut vesiarvot	ph-arvo	Kovuus	Vapaa kloori	Kloridipitoisuus	Suolapitoisuus	Kuivajäännösten kokonaismäärä	Lämpötila
HU	A vízre vonatkozó ajánlott értékek	ph-érték	Keménység	Szabad klór	Klorid tartalom	Sótartalom	Teljes visszamaradó szárazanyag	Hőmérséklet
PL	Zalecane parametry wody	Wartość pH	Twardość	Chlor wolny	Zawartość chlorków	Zawartość soli	Sucha pozostałość	Temperatura
CS	Doporučené hodnoty vody	Hodnota pH	Tvrđost	Volný chlor	Obsah chloridu	Obsah soli	Celková odparka	Teplota
SK	Odporúčané hodnoty vody	Hodnota pH	Tvrđost'	Volný chlór	Obsah chloridu	Obsah soli	Celková sušina	Teplota
SL	Priporočene vrednosti za vodo	pH-vrednost	Trdota	Prosti klor	Vsebnost klorida	Vsebnost soli	Celotni suhi ostanek	Temperatura
HR	Preporučene vrijednosti vode	pH vrijednost	Tvrdoća	Slobodni klor	Udio klora	Udio soli	Ukupan suhi ostatak	Temperatura
RO	Valori recomandate pentru apă	Valoare ph	Duritate	Clor liber	Conținut de cloruri	Conținut de sare	Total resturi uscate	Temperatură
BG	Препоръчани стойности на водата	ph-стойност	Твърдост	Свободен хлор	Хлоридно съдържание	Съдържание на сол	Общ сух остатък	Температура
UK	Рекомендований вміст води	ph-показник	Жорсткість	Вільний хлор	Вміст хлоридів	Вміст солі	Загальний сухий залишок	Температура
RU	Рекомендуемые значения воды	Значение ph	Жёсткость	Свободный хлор	Содержание хлоридов	Содержание солей	Общий сухой остаток	Температура
CN	建议水当量值	ph 值	硬度	游离氯	氯含量	盐含量	总蒸发残留	温度
Freshwater	6.8 ... 8.5	6.8 ... 8.5	8 DH ... 15 DH	<0.3 mg/l	<250 mg/l	<0.4 %	<50 mg/l	4 °C ... 35 °C
Poolwater	7.2 ... 8.3	7.2 ... 8.3	8 DH ... 15 DH	<0.6 mg/l	<250 mg/l	<0.4 %	<50 mg/l	4 °C ... 30 °C
Saltwater	7.2 ... 8.5	7.2 ... 8.5	20 DH ... 30 DH	<0.3 mg/l	<22000 mg/l	<4.0 %	<50 mg/l	4 °C ... 28 °C

	IP 68 			
DE	Staubdicht. Wasserdicht bis 4 m Tiefe	Vor direkter Sonneneinstrahlung schützen.	Nicht mit normalem Hausmüll entsorgen!	Achtung! Lesen Sie die Gebrauchsanleitung
EN	Dust tight. Submersible to 4 m depth.	Protect from direct sun radiation.	Do not dispose of together with household waste!	Attention! Read the operating instructions
FR	Imperméable aux poussières. Étanche à l'eau jusqu'à une profondeur de 4 m	Protéger contre les rayons directs du soleil.	Ne pas recycler dans les ordures ménagères !	Attention ! Lire la notice d'emploi
NL	Stofdicht. Waterdicht tot een diepte van 4 m	Beschermen tegen direct zonlicht.	Niet bij het normale huisvuil doen!	Let op! Lees de gebruiksaanwijzing
ES	A prueba de polvo. Impermeable al agua hasta 4 m de profundidad	Protéjase contra la radiación directa del sol.	¡No deseche el equipo en la basura doméstica!	¡Atención! Lea las instrucciones de uso
PT	À prova de pó. À prova de água até 4 m de profundidade.	Proteger contra radiação solar directa.	Não deitar ao lixo doméstico!	Atenção! Leia as instruções de utilização
IT	A tenuta di polvere. Impermeabile all'acqua fino a 4 m di profondità.	Proteggere contro i raggi solari diretti.	Non smaltire con normali rifiuti domestici!	Attenzione! Leggete le istruzioni d'uso!
DA	Støvtaet. Vandtaet ned til 4 m dybde	Beskyt mod direkte sollys.	Må ikke bortskaffes med det almindelige husholdningsaffald	OBS! Læs brugsanvisningen
NO	Støvtett. Vanntett ned til 4 m dyp	Beskytt mot direkte sollys.	Ikke kast i alminnelige husholdningsavfall!	NB! Les bruksanvisningen
SV	Dammtät. Vattentät till 4 m djup	Skydda mot direkt solstrålning.	Får inte kastas i hushållsso-porna!	Varning! Läs igenom bruksanvisningen
FI	Pölytiivis. Vesitiivis 4 m syvyyteen asti.	Suojattava suoralta auringonvaloilta.	Älä hävittää laitetta tavallisen talousjätteen kanssa!	Huomio! Lue käyttöohje
HU	Portómívelt. Vízálló 4 m-es mélységig	Óvja közvetlen napsugárzástól.	A készüléket nem a normál háztartási szeméttel együtt kell megsemmisíteni!	Figyelem! Olvassa el a használati útmutatót
PL	Pyłoszczelny. Wodoszczelny do 4 m głębokości.	Chronić przed bezpośrednim nasłonecznieniem.	Nie wyrzucać wraz ze śmieciami domowymi!	Uwaga! Przeczytaj instrukcję użytkownika!
CS	Prachotěsný. Vodotěsný do hloubky 4 m	Chránit před přímým slunečním zářením.	Nelikvidovat v normálním komunálním odpadu!	Pozor! Přečtete Návod k použití!
SK	Prachotesný. Vodotesný do hĺbky 4 m	Chránit' pred priamym slnečným žiarením.	Nelikvidovať v normálnom komunálnom odpade!	Pozor! Prečítajte si Návod na použitie
SL	Ne prepušča prahu. Vodotesno do globine 4 m.	Zaščitite pred neposrednimi sončnimi žarki.	Ne zavrzite skupaj z gospodinjskimi odpadki!	Pozor! Preberite navodila za uporabo!
HR	Ne propušta prašinu. Ne propušta vodu do 4 m dubine.	Zaštitite od izravnog sunčevog zračenja.	Nemojte ga bacati u običan kućni otpad!	Pažnja! Pročitajte upute za upotrebu!
RO	Etanș la praf. Etanș la apă până la o adâncime de 4 m.	Protejați împotriva razelor directe ale soarelui.	Nu aruncați în gunoierul menajer !	Atenție! Citiți instrucțiunile de utilizare !
BG	Защитено от прах. Водоустойчив до дълбочина 4 м	Да се пази от слънчеви лъчи.	Не изхвърляйте заедно с обикновения домакински боклук!	Внимание! Прочетете упътването
UK	Пилонепроникний. Водонепроникний до 4 м	Пристрій повинен бути захищений від прямого сонячного випромінювання.	Не викидайте разом із побутовим сміттям!	Увага! Читайте інструкцію.
RU	Пыленепроницаемый, водонепроницаемый на глубине до 4 м	Защищать от прямого воздействия солнечных лучей.	Не утилизировать вместе с домашним мусором!	Внимание! Прочитайте инструкцию по использованию
CN	防尘。防水水深至 4 米	防止阳光直射。	不要同普通的家庭垃圾一起丢弃!	注意! 请阅读使用说明书。



OASE GmbH · www.oase.com

Tecklenburger Straße 161 · 48477 Hörstel · Postfach 20 69 · 48469 Hörstel · Germany



7807/03-20