



liberty<sup>®</sup>  
mains free

# Pond or Feature Pump & LED Light



Solar Recharged



Lithium Battery Powered

[www.blagdonwatergardening.co.uk](http://www.blagdonwatergardening.co.uk)



INNOVATIVE  
  
DESIGN

Liberty Mains Free Features have been designed by Blagdon, a leading British water gardening company. Over half a century in fish keeping and water gardening are brought together in this product, so you can be assured of a successful, creative water feature.



liberty<sup>®</sup>  
mains free

# Pond or Feature Pump & LED Light

Congratulations on buying a Liberty Pond or Feature Pump & LED set.

This product has been designed to enhance your garden with the sight and sound of moving water.

**IMPORTANT** Please attach proof of purchase to this manual and file in a safe place

## CONTENTS

### GETTING TO KNOW YOU LIBERTY POND PUMP & LED

1. Technical Specification .....	2
2. Parts Guide .....	2

### STEP BY STEP GUIDE

3. Solar panel installation .....	3
4. Pump assembly .....	4
5. Connecting to the solar panel .....	5

### OPERATION

6. Operating modes .....	6
--------------------------	---

### PERFORMANCE AND MAINTENANCE.....

7. Pump performance .....	7
8. Pump maintenance .....	7
9. Replacing the battery .....	8
10. Lithium Ion Battery Safety .....	9
11. Troubleshooting .....	10
12. Consumer Advice Contact Details .....	11
13. Guarantee .....	11

# GETTING TO KNOW YOUR LIBERTY PUMP

## THIS KIT INCLUDES:



### Battery & Solar panel:

- 2.5 Watts
- Li-ion Max. 6hr battery back-up
- Panel size: H190mm x W150mm x D50mm
- IP44

### Pump & LED:

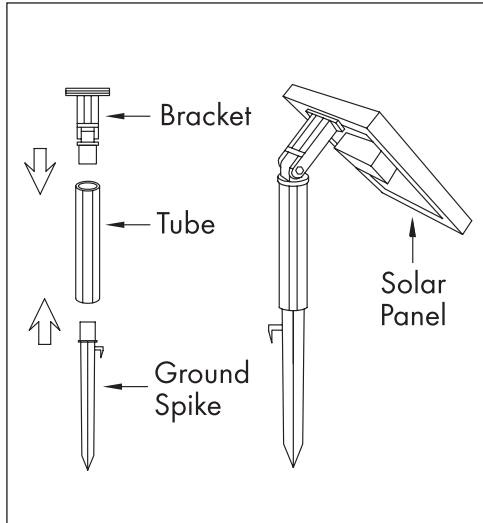
- Pump Power (DC): 1.25Watts
- Pump size: H55mm x W100mm x D47mm
- Maximum flow rate: 200LPH /53GPH
- Maximum pumping height: 1.25m
- Pump cable length: approx. 5m
- LED light ring with 5pcs white LEDs
- Light Power: 0.15 Watts
- light cable length: approx. 5m

Part No.	Description	Spares
1	Solar Panel with Battery pack	1057288 Battery only 1057301
2	Solar Panel Post and Bracket	
3	Solar Panel Post Ground Spike	
4	Solar Panel Post Wall Mounting Bracket	
5	Fountain Fittings	
6	LED Light	1057295
7	Pump	1057318
8	Pump Float	
9	Mesh Bag - Float Anchor	
10	Indoor mains power/charger cable (1.5m + 5m extension)	1055901

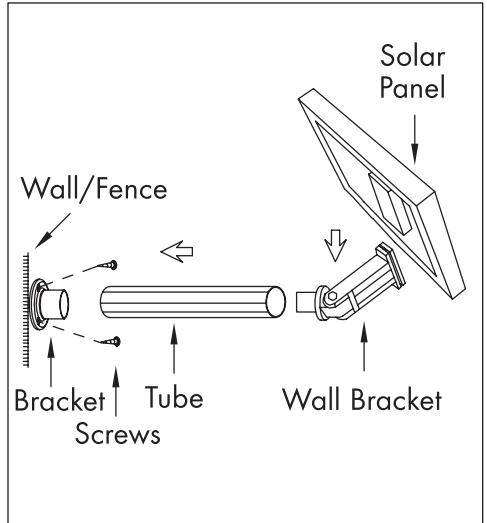
# STEP BY STEP GUIDE

## 1. Solar panel installation.

Ground mounted:



Wall/fence mounted:



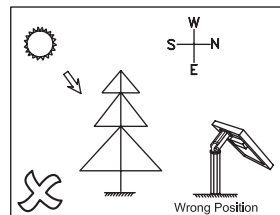
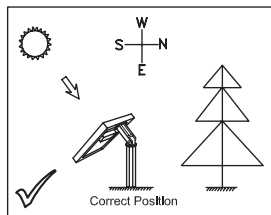
**Ground mounted:** Insert solar panel bracket into one end of the tube, insert the ground spike into the opposite end, and push into your chosen area of ground.

**Wall/fence mounted:** Using the supplied wall plugs and screws, attach the wall/fence mounting bracket to your chosen wall or fence. Next slide on the tube, followed by the solar panel bracket.

Once you have mounted the bracket in your chosen location slide the lip on the reverse of the solar panel into the groove present on the bracket. Then using the wingnut adjust the angle of the panel to between  $30^\circ$  and  $45^\circ$  from vertical.

### Important:

The solar panel must face as close to South as possible, with no obstruction from buildings, shrubs or trees, to ensure that it receives the optimal amount of sunlight to charge the battery effectively.

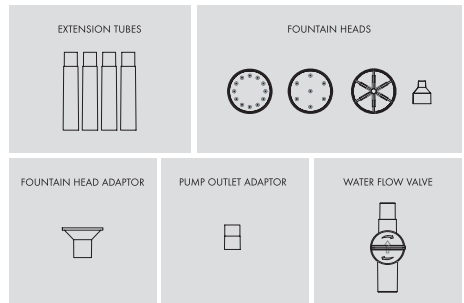
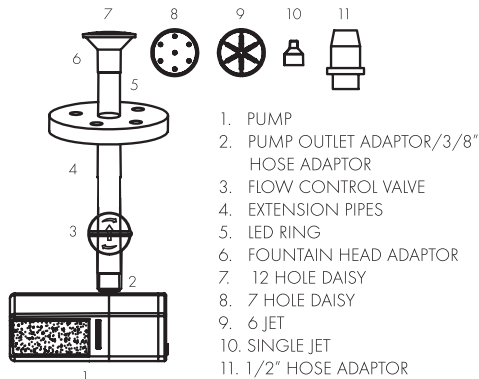




## STEP BY STEP GUIDE

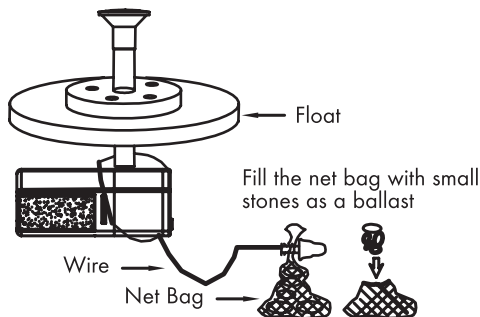
### 2. Pump assembly.

1. Attach the pump outlet adaptor to the pump.
2. Connect the flow control valve to the pump outlet adaptor - this will allow you to adjust the water flow (not required for deep water/floating).
3. Connect the correct amount of extension tubes to raise the outlet above the water surface. (For deep water/floating installation only one extension will be required)
4. Push the top extension pipe through the LED ring.
5. Connect the fountain head adaptor to the end of the top extension pipe.
6. Attach your chosen fountain head - if you have chosen the single jet, it can simply be connected to the extension pipe in place of the fountain head adaptor.



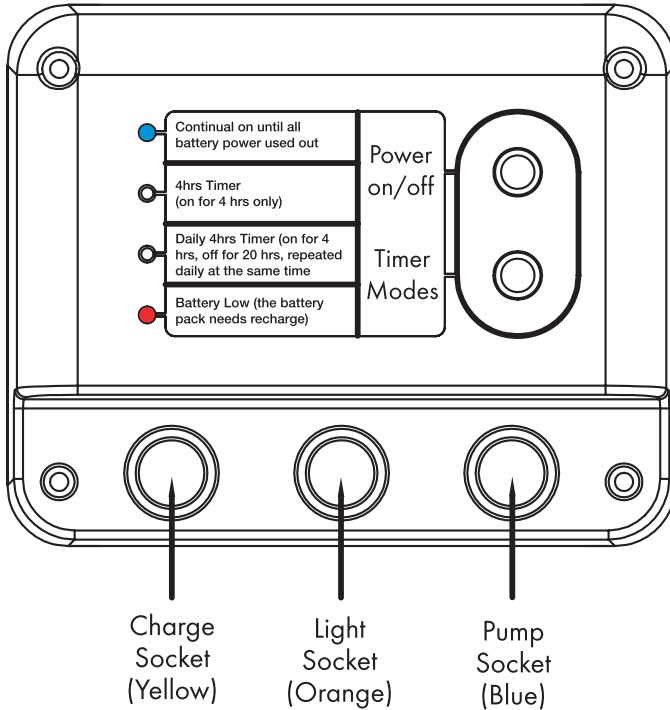
### Deep water/floating only:

- After attaching the extension pipe to the pump, push the pipe through the hole cut out on the float prior to installing the LED.
- Fill the supplied mesh bag with gravel, and attach to the pump using the string - adjust the length according to the depth of the pond in the location you would like the pump to be.



## STEP BY STEP GUIDE

### 3. Connection to the solar panel.



- Connect the pump plug to the blue socket.
- Connect the LED plug to the orange socket.
- The yellow socket should remain unused.

#### **Important:**

Keep the Charge Socket cap (yellow cap) closed on the socket if not used, this will prevent water ingress into the control panel.

## OPERATION

The Blagdon Liberty Pond Pump is designed for maximum performance during the summer months, however it will perform all year round depending on the strength of the sunlight received by and on the orientation (see solar panel installation section) of the solar panel.

Note: The LED light has been designed to work at night, being operated by a light sensor on the solar panel.

The Blagdon Liberty Pond Pump has 3 operating modes, as indicated by the label on the reverse of the solar panel:

**Continual on:** activated by pressing the "Power on/off" button, in this mode the pump will run continuously until the battery has used its available charge. It will then restart by itself once the solar panel has recharged the battery to a sufficient level.

**4hrs Timer:** activated by pressing the "Timer modes" button once, in this mode the pump will run for a pre-set 4 hours and will then stop - it will not restart automatically, requiring you to press a button to choose a mode.

**Daily 4hrs Timer:** activated by pressing the "Timer modes" button twice (or once if the pump is currently running on the pre-set 4hrs timer above), in this mode the pump will run for a pre-set period of 4 hours, at the end of the 4 hours period it will enter a 20 hour stand-by mode. This function allows the pump to activate daily at the same time everyday. If you wish to change the time from which the pump activates, simply turn it on using the "Timer modes" button at your new chosen time.

Note: the indicator light next to "Daily 4hrs Timer" on the solar panel will blink slowly during the day whilst the pump is in stand-by mode, to save power it will stop blinking during the night, you can check the status of the pump in this period by pressing either of the buttons on the solar panel - the indicator light will be activated for a while, before turning off again.

Below the mode indicator LEDs, there is also a red "**Battery Low**" indicator LED, this will blink when the battery is nearing the end of it's available charge, indicating the pump will turn off shortly. The indicator will turn off once the solar panel has recharged the battery to a sufficient level.

## PERFORMANCE & MAINTENANCE

### Performance:

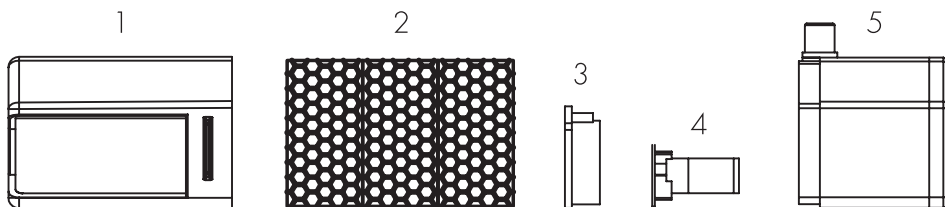
The performance of the Blagdon Liberty pond pump is highly dependant on the positioning and orientation of the solar panel – for optimal performance it must be sited in a position where it will receive the maximum amount of sunlight for the longest period (as instructed in section 1: Solar panel installation). A solar panel sited in a shaded position, or in poor weather conditions, will not produce the same performance.

The performance of this pump will also depend on the level of charge available from the battery – if the “Battery Low” indicator LED is on, the pump will not run.

### Maintenance:

The Blagdon Liberty pond pump has been designed to be simple and easy to maintain, we would recommend some basic maintenance is performed on the pump on a monthly basis:

- Unclip the front case, remove the pre-filter sponge and clean in freshwater.
- Remove the impeller cover, lift out the impeller, clean the impeller and impeller chamber with freshwater.
- Reassemble.



1. Front Case    2. Filter    3. Impeller Cover    4. Impeller    5. Pump

### Important:

The frequency of cleaning the pre-filter sponge may vary between users – those operating the pump in ponds with large quantities of floating debris may need to clean the sponge on a more regular basis.



## MAINTENANCE

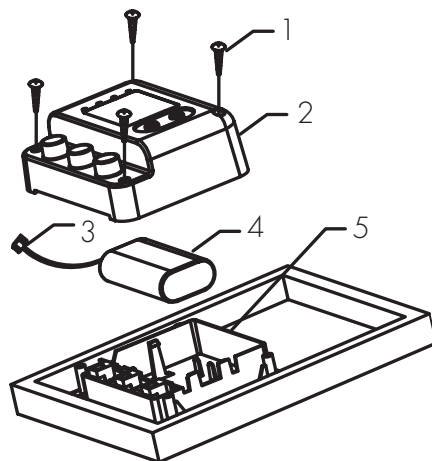
### Battery replacement:

The Blagdon Liberty pond pump has been designed to run for many years if correctly maintained. The Li-ion battery pack in the solar panel however, in common with all rechargeable batteries, has a limited life span. As such it may require replacing after a period of 18-24 months.

1. Remove the 4 screws (part 1 on the diagram to the right) from the control panel cover (part 2), and lift the cover away from the solar panel.
2. Disconnect the battery pack connector (part 3) from the control panel (part 5) and remove the battery pack (part 4).
3. Repeat steps 1 and 2 in the reverse order to reassemble.

Tools needed:  
Small headed Philips screwdriver

Dispose of the old battery pack according to your local regulations.



### Important:

Only the correct, official Blagdon Liberty battery pack should be used for replacement, as alternatives may be incompatible, they may damage the system or create an electrical hazard - this will void the guarantee.

Do not place the removed battery in or near fire, or in direct sunlight. Heating the battery can damage the safety circuitry, which can cause additional heating, rupture or ignition of the battery.

# LITHIUM ION BATTERY SAFETY

1. Lithium-Ion cells and batteries may get hot, explode or ignite and cause serious injury if exposed to abuse conditions. Be sure to follow the safety warnings listed below:
  - Do not place the battery in a fire or heat the battery.
  - Do not install the battery backwards so the polarity is reversed.
  - Do not connect the positive terminal and the negative terminal or the battery to each other with any metal object (such as wire).
  - Do not carry or store the battery together with necklaces, hairpins or other metal objects.
  - Do not pierce the battery with nails, strike the battery with a hammer, step on the battery or otherwise subject the battery to strong impacts or shocks.
  - Do not solder directly onto the battery.
  - Do not expose the battery to water or salt water, or allow the battery to get wet.
2. Do not disassemble or modify the battery. The battery contains safety and protection devices, which, if damaged, may cause the battery to generate heat, explode or ignite.
3. Do not place the battery in or near fire, on stoves or other high temperature locations. Do not place the battery in direct sunlight or use or store the battery inside cars in hot weather. Doing so may cause the battery to generate heat, explode or ignite. Using the battery in this manner may also result in loss of performance and shortened battery life span.
4. If the device is to be used by small children, the caregiver should explain the contents of this document to the children and provide adequate supervision to ensure the device is being used appropriately.
5. When the battery is worn out, insulate the terminals with adhesive tape or similar materials before disposal.
6. Immediately discontinue use of the battery if, while using, charging or storing the battery, the battery emits an unusual smell, feels hot, changes colour or shape, or appears abnormal in any other way.
7. Do not place the battery in microwave ovens, high-pressure containers or on induction cookware. In the event the battery leaks and the fluid gets into ones eyes, DO NOT rub the eye. Rinse well with water and seek medical attention immediately. If left untreated, the battery fluid could cause damage to the eye.

## Battery warning:

Be sure to follow the warnings listed below while charging the battery. Failure to do so may cause the battery to become hot, explode or ignite and cause serious injury.

- When charging the battery, ONLY use the provided solar panel, or the Blagdon Liberty charger (sold separately).
- Do not attach the battery, if removed, to any other power supply.  
The temperature range within which the battery can be charged is 0° to 45°. Charging the battery at temperatures outside of this range may cause severe damage to the battery or reduce the battery life span.

## Battery discharging:

Do not discharge the battery using any device except for the specified device. When the battery is used in devices other than the specified device, it may damage the battery or reduce its life expectancy. If the device causes an abnormal current to flow, it may cause the battery to become hot, explode or ignite and cause serious injury.

The temperature range within which the battery can be discharge is 0° to 60°. Use of the battery outside of this range may damage the performance of the battery or reduce the life span of the battery.

## TROUBLESHOOTING

- Ensure the plugs for the LED and Pump are fully pushed into the sockets on the solar panel.
- Check the location of the solar panel - ensure it is not being shaded by buildings, shrubs or trees and is pointed at the midday sun position (12 o'clock).
- Check if the "Battery Low" LED is blinking. If it is, the battery power is low. Switch off the pump and leave the solar panel charging in strong, direct sunlight for at least 6 hours.
- Check the water level - make sure the pump is fully submerged in water.
- Check any hoses and pipes connected to the pump for kinks and blockages.
- Check that the impeller is not blocked by debris, and make sure the pre-filter foam is clean.
- Check that the pump is not "air locked", turn the pump off, wait for the air to clear, then turn the pump on.

### Winter Protection:

The Lithium-ion battery works at optimum performance between 0° and 45°. The efficiency of the battery will be significantly reduced below 0°. During winter months we would recommend that the pump and solar panel should be stored dry in a frost-free location, such as a shed or garage.

## IMPORTANT INFORMATION

### Consumer advice contact details

Interpet (Blagdon) Consumer Advice Department, Vincent Lane, Dorking, Surrey RH4 3YX

**E-mail:** [customercare@interpet.co.uk](mailto:customercare@interpet.co.uk)

## GUARANTEE

The product is guaranteed against defects in material and workmanship for 3 years from the date of purchase, under normal usage.

The guarantee DOES NOT APPLY in case of improper use, negligence, and lack of maintenance or accidental damage to either the pump, impeller, impeller shaft or filter foam.

If the pump fails due to a manufacturing fault within this period it will be either repaired or replaced free of charge. Liability is limited to replacement of the faulty product only; no other costs will be reimbursed.

This guarantee is not transferable and does not affect your statutory rights. This guarantee does not confer any rights other than those expressly set above. Excludes the impeller, prefilter foam and battery pack, which may require replacing annually. If an parts are need replacing, spares are available from your retailer.



### Environment Friendly Disposal

You can help protect the environment, Please remember to respect the local regulations and hand in any non-working electrical equipment to an appropriate waste disposal centre.

**CE RoHS**

### Battery Information and Disposal:

- Do not dispose of batteries in fire.
- For best results, do not mix old and new batteries; do not mix alkaline, standard (carbon-zinc) or rechargeable (nickel-cadmium) batteries.
- Install only new batteries of the same type in your product.
- Failure to insert batteries in the correct polarity, as indicated in the battery compartment, may shorten the life of the batteries, or cause the batteries to leak.
- Batteries should be recycled or disposed of as per your local guidelines.

**Booklet product code: 26/9/18 MB**

**Description:** Liberty Pond or Feature Pump & LED set **Code:** 1057233

**Interpet Ltd.** Vincent Lane, Dorking, Surrey RH4 3YX, England **[www.blagdonwatergardening.co.uk](http://www.blagdonwatergardening.co.uk)**



Liberty Mains Free Features have been designed by Blagdon, a leading British water gardening company. Over half a century in fish keeping and water gardening are brought together in this product, so you can be assured of a successful, creative water feature.